



N 沟道增强型场效应晶体管

N-CHANNEL MOSFET

FHU4N65E/FHD4N65E/FHP4N65E/FHF4N65E

主要参数 MAIN CHARACTERISTICS

ID	4A
VDSS	650 V
Rdson-typ (@Vgs=10V)	2.1Ω
Qg-typ	18nC

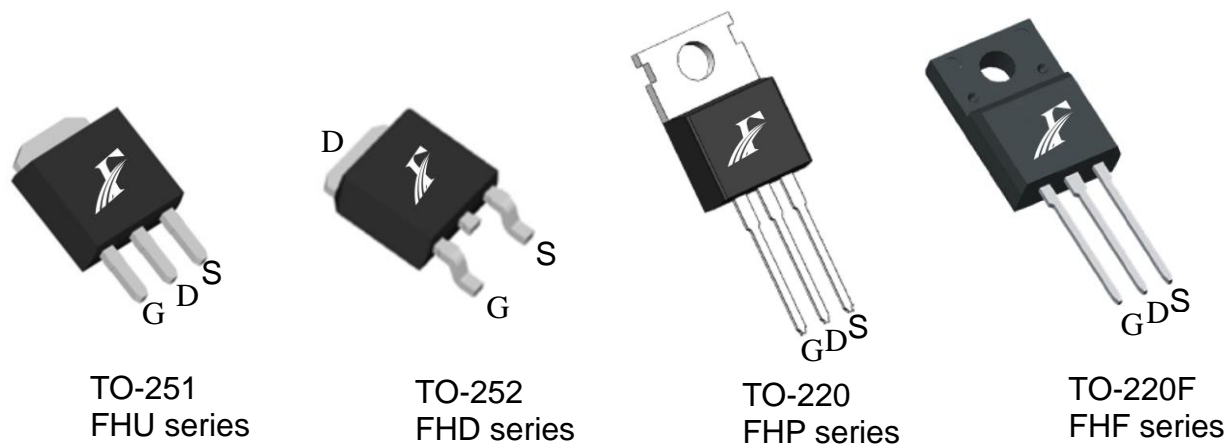
产品特性 FEATURES

低栅极电荷	Low gate charge
低 Crss (典型值 4.5pF)	Low Crss (typical 4.5pF)
开关速度快	Fast switching
100%经过雪崩测试	100% avalanche tested
高抗 dv/dt 能力	Improved dv/dt capability
RoHS 产品	RoHS product

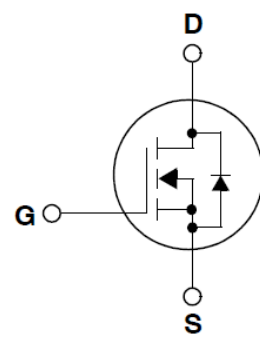
用途 APPLICATIONS

高频开关电源	High efficiency switch mode power supplies
--------	--

封装形式 Package



等效电路 Equivalent Circuit



绝对最大额定值 ABSOLUTE RATINGS (Tc=25°C)

项目 Parameter	符号 Symbol	数值 Value		单位 Unit
		FHU/D/P4N65E	FHF4N65E	
最高漏极-源极直流电压 Drain-Source Voltage	V _{DS}	650		V
连续漏极电流* Drain Current -continuous *	I _D (T _C =25°C)	4		A
	I _D (T _C =100°C)	3		A
最大脉冲漏极电流 (注 1) Drain Current – pulse (note 1)	I _{DM}	16		A
最高栅源电压 Gate-Source Voltage	V _{GS}	±30		V
单脉冲雪崩能量 (注 2) Single Pulsed Avalanche Energy (note 2)	E _{AS}	54.5		mJ
雪崩电流 (注 1) Avalanche Current (note 1)	I _{AS}	3.3		A
重复雪崩能量 (注 1) Repetitive Avalanche Current (note 1)	E _{AR}	10		mJ
二极管反向恢复最大电压变化速率 (注 3) Peak Diode Recovery dv/dt (note 3)	dv/dt	5.0		V/ns
耗散功率 Power Dissipation	P _D (T _C =25°C)	25	20	W
	-Derate above 25°C	0.43	0.36	W/°C
最高结温及存储温度 Operating and Storage Temperature Range	T _J , T _{STG}	-55~+150		°C
引线最高焊接温度 Maximum Lead Temperature for Soldering Purposes	T _L	300		°C

*漏极电流由最高结温限制

*Drain current limited by maximum junction temperature

电特性 ELECTRICAL CHARACTERISTICS

项目 Parameter	符号 Symbol	测试条件 Tests conditions	最小 Min	典型 Typ	最大 Max	单位 Units
关态特性 Off –Characteristics						
漏-源击穿电压 Drain-Source Voltage	BV _{DSS}	I _D =250μA, V _{GS} =0V	650	-	-	V
击穿电压温度特性 Breakdown Voltage Temperature Coefficient	ΔBV _{DSS} /ΔT _J	I _D =250μA, referenced to 25°C	-	0.6	-	V/°C
零栅压下漏极漏电流 Zero Gate Voltage Drain Current	I _{DSS}	V _{DS} =650V, V _{GS} =0V, T _C =25°C	-	-	1	μA
		V _{DS} =650V, T _C =125°C	-	-	100	μA
栅极体漏电流 Gate-body leakage current	I _{GSS} (F/R)	V _{DS} =0V, V _{GS} =±30V	-	-	±100	nA
通态特性 On-Characteristics						
阈值电压 Gate Threshold Voltage	V _{GS(th)}	V _{DS} = V _{GS} , I _D =250μA	3	-	4	V
静态导通电阻 Static Drain-Source On-Resistance	R _{DS(ON)}	V _{GS} =10V , I _D =2A	-	2.1	2.4	Ω
正向跨导 Forward Transconductance	g _{fs}	V _{DS} = 25V, I _D =2A (note 4)	-	4.5	-	S
动态特性 Dynamic Characteristics						
输入电容 Input capacitance	C _{iss}	V _{DS} =25V, V _{GS} =0V, f=1.0MHz	-	545	-	pF
输出电容 Output capacitance	C _{oss}		-	53	-	
反向传输电容 Reverse transfer capacitance	C _{rss}		-	4.5	-	
开关特性 Switching Characteristics						
延迟时间 Turn-On delay time	t _{d(on)}	V _{DS} =250V, I _D =4A, R _G =25Ω V _{GS} =10V (note 4, 5)	-	36	-	ns
上升时间 Turn-On rise time	t _r		-	13	-	ns
延迟时间 Turn-Off delay time	t _{d(off)}		-	80	-	ns
下降时间 Turn-Off Fall time	t _f		-	24	-	ns
栅极电荷总量 Total Gate Charge	Q _g	V _{DS} =520V , I _D =4A , V _{GS} =10V (note 4, 5)	-	18	-	nC
栅-源电荷 Gate-Source charge	Q _{gs}		-	3	-	nC
栅-漏电荷 Gate-Drain charge	Q _{gd}		-	12	-	nC
漏-源二极管特性及最大额定值 Drain-Source Diode Characteristics and Maximum Ratings						
正向最大连续电流 Maximum Continuous Drain -Source Diode Forward Current		I _S	-	-	4	A
正向最大脉冲电流 Maximum Pulsed Drain-Source Diode Forward Current		I _{SM}	-	-	16	A
正向压降 Drain-Source Diode Forward Voltage	V _{SD}	V _{GS} =0V, I _S =4A	-	0.9	1.3	V
反向恢复时间 Reverse recovery time	t _{rr}	V _{GS} =0V, I _S =4A, dI _F /dt=100A/μs (note 4)	-	550	-	ns
反向恢复电荷 Reverse recovery charge	Q _{rr}		-	1.38	-	μC

热特性 THERMAL CHARACTERISTIC

项目 Parameter	符号 Symbol	FHU/D/P4N65E	FHF4N65E	单位 Unit
结到管壳的热阻 Thermal Resistance, Junction to Case	Rth(j-c)	5	6.25	°C/W
结到环境的热阻 Thermal Resistance, Junction to Ambient	Rth(j-A)	60	62.5	°C/W

注释:

- 1: 脉冲宽度由最高结温限制
- 2: L=10mH, IAS=3.3A, VDD=50V, RG=25 Ω, 起始结温 TJ=25°C
- 3: ISD ≤4A, di/dt ≤100A/μs, VDD≤BVDS, 起始结温 TJ=25°C
- 4: 脉冲测试: 脉冲宽度 ≤300μs, 占空比≤2%
- 5: 基本与工作温度无关

Notes:

- 1: Pulse width limited by maximum junction temperature
- 2: L=10mH, IAS=3.3A, VDD=50V, RG=25 Ω, Starting TJ=25°C
- 3: ISD ≤4A, di/dt ≤100A/μs, VDD≤BVDS, Starting TJ=25°C
- 4: Pulse Test: Pulse Width ≤300μs, Duty Cycle≤2%
- 5: Essentially independent of operating temperatur

特性曲线 Typical Characteristics

Figure 1. Output Characteristics ($T_J = 25^\circ\text{C}$)

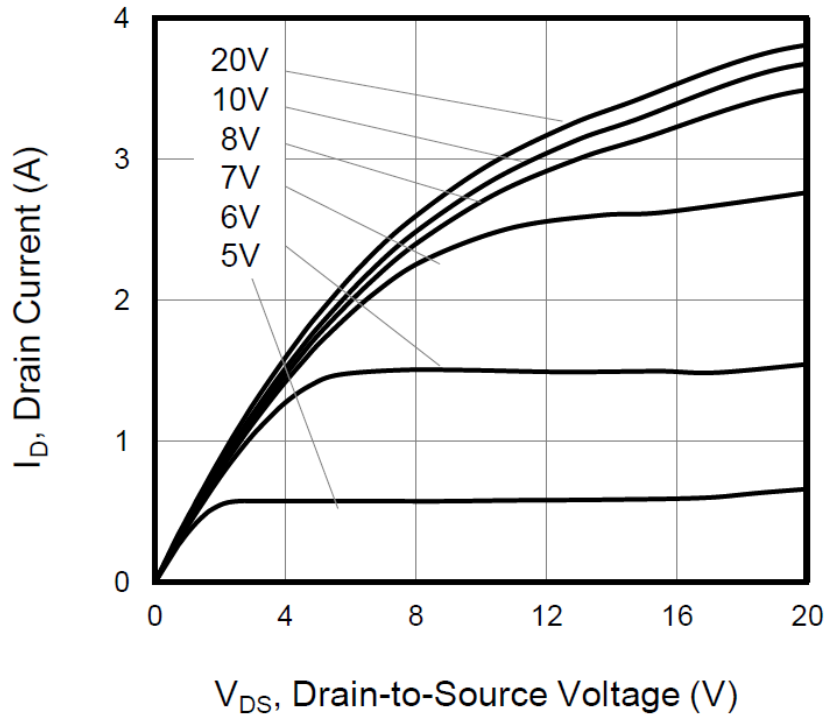


Figure 2. Body Diode Forward Voltage

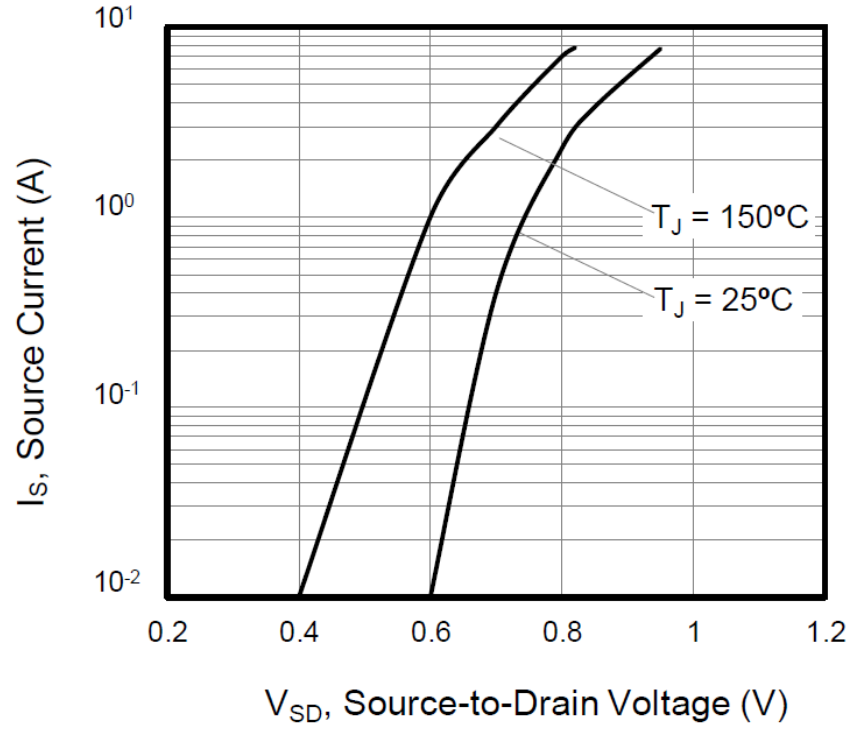


Figure 3. Drain Current vs. Temperature

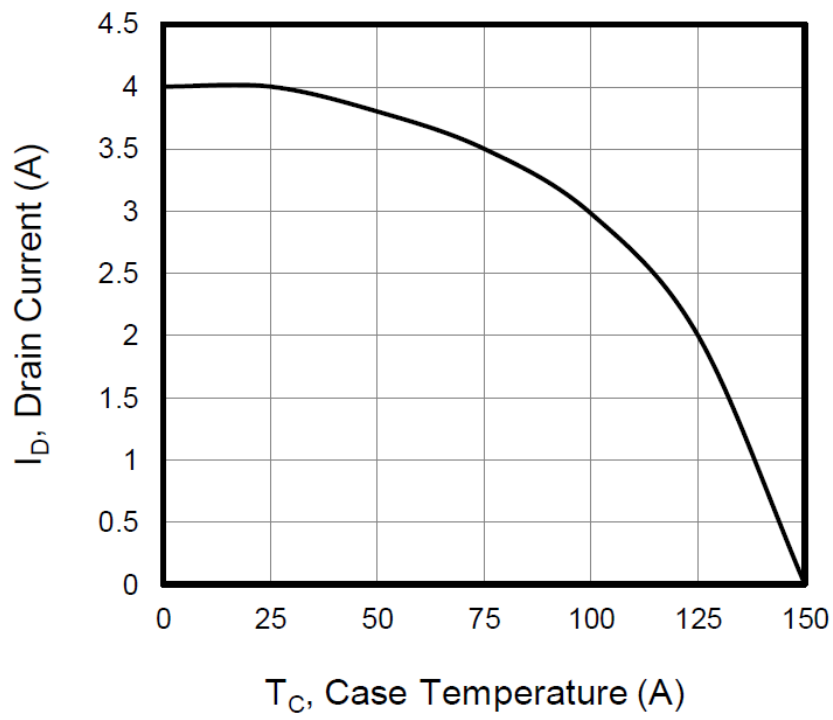


Figure 4. Power Dissipation vs. Temperature

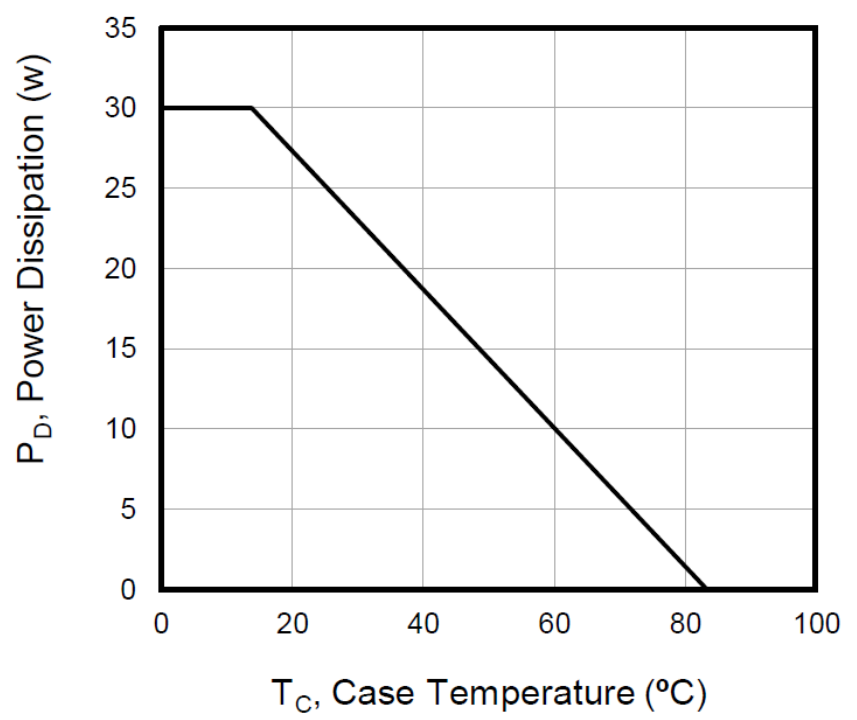


Figure 5. Transfer Characteristics

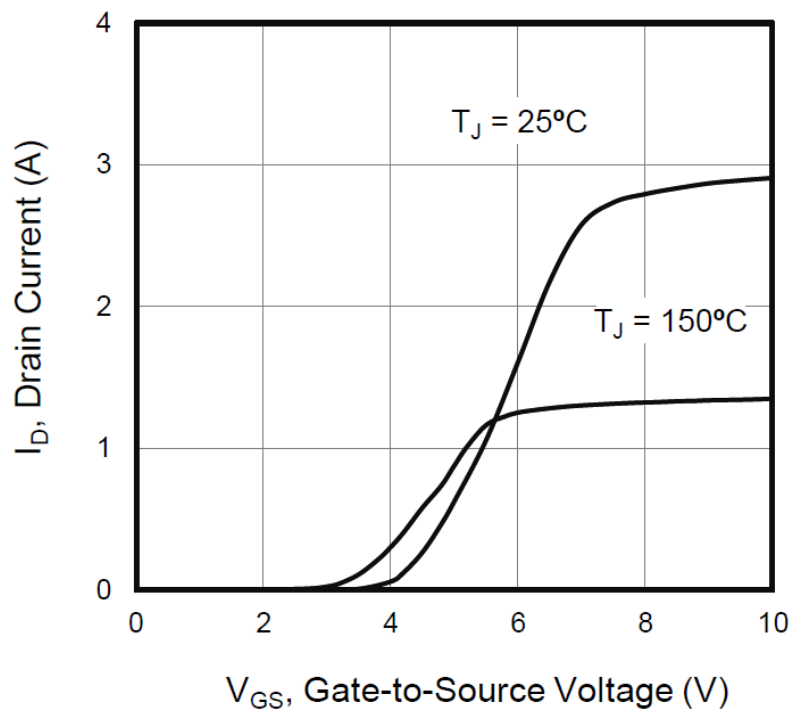


Figure 6. On-Resistance vs. Temperature

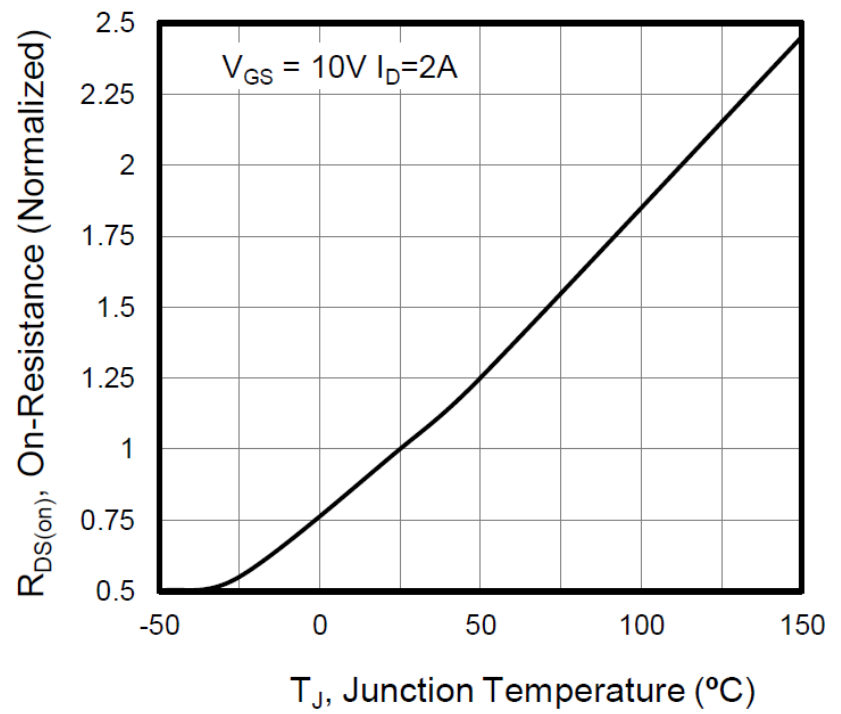


Figure 7. Capacitance

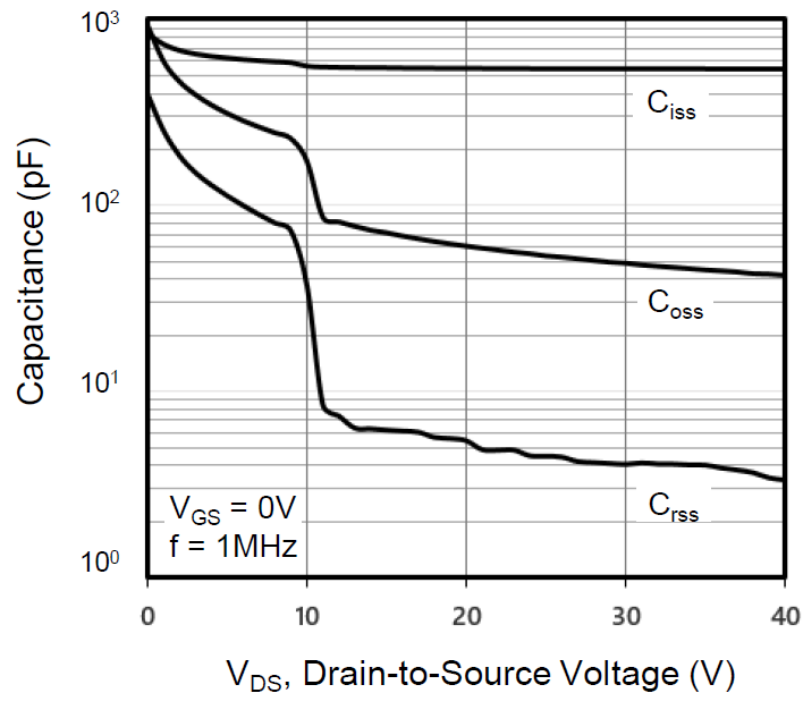


Figure 8. Gate Charge

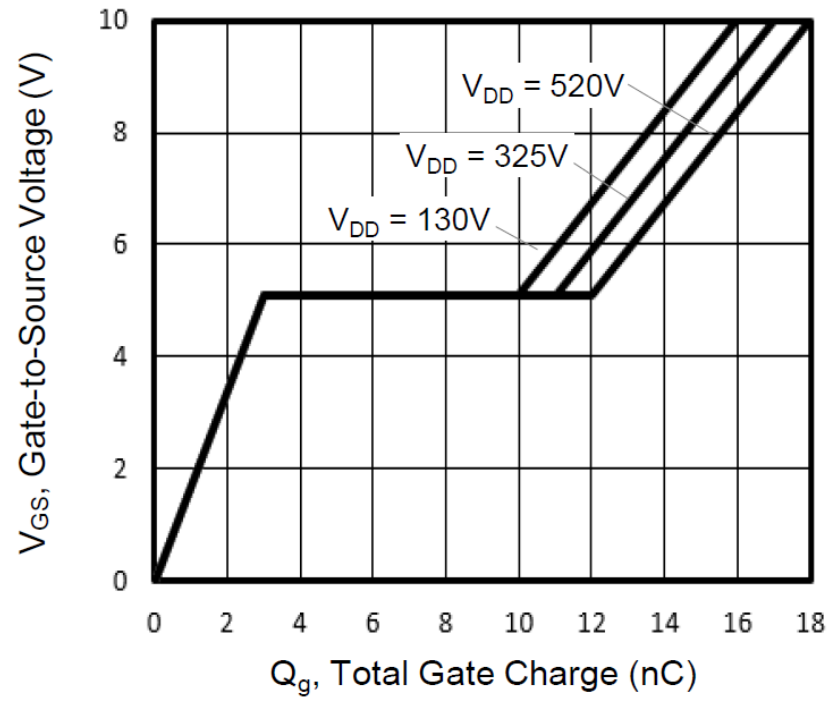


Figure 9. Transient Thermal Impedance TO-251, TO-252

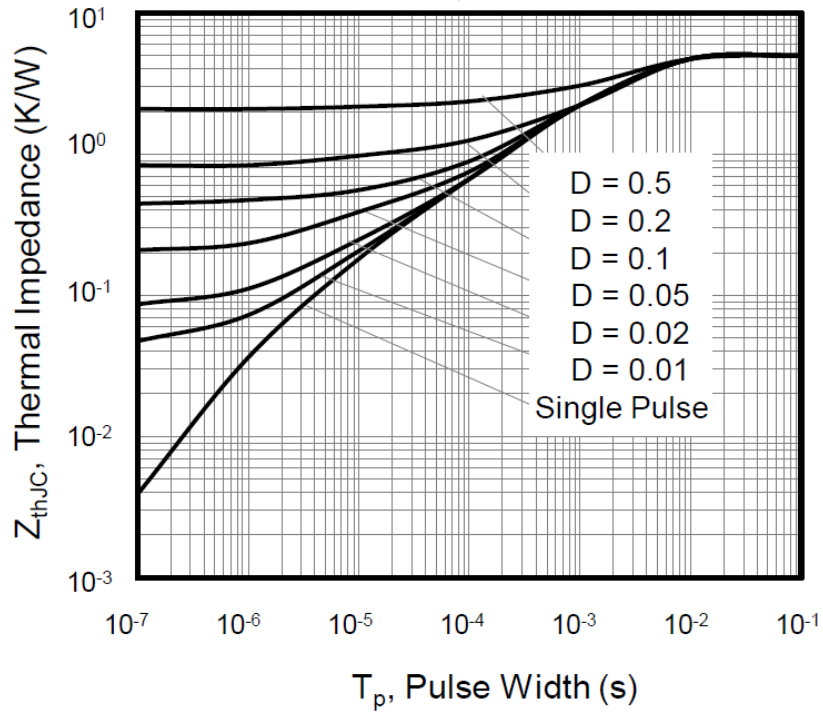


Figure 10. Transient Thermal Impedance TO-220F

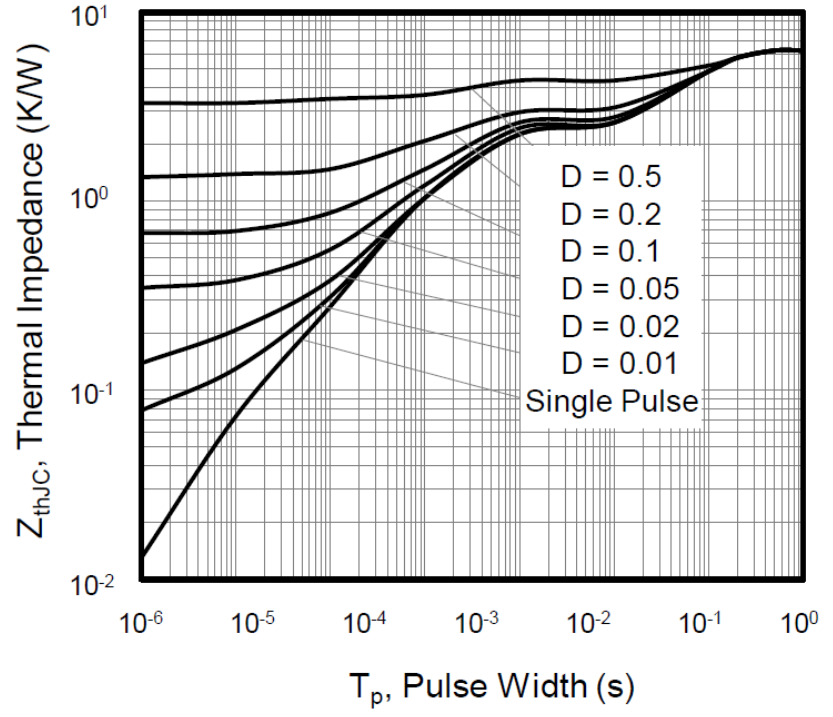


Figure A: Gate Charge Test Circuit and Waveform

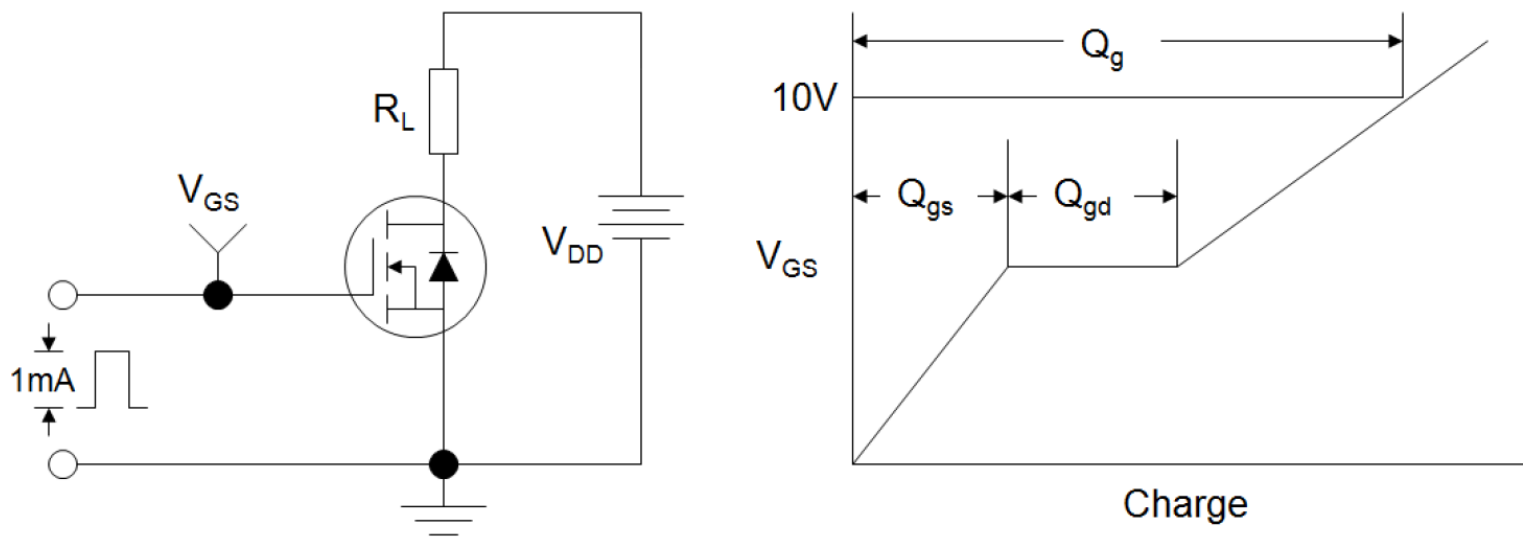


Figure B: Resistive Switching Test Circuit and Waveform

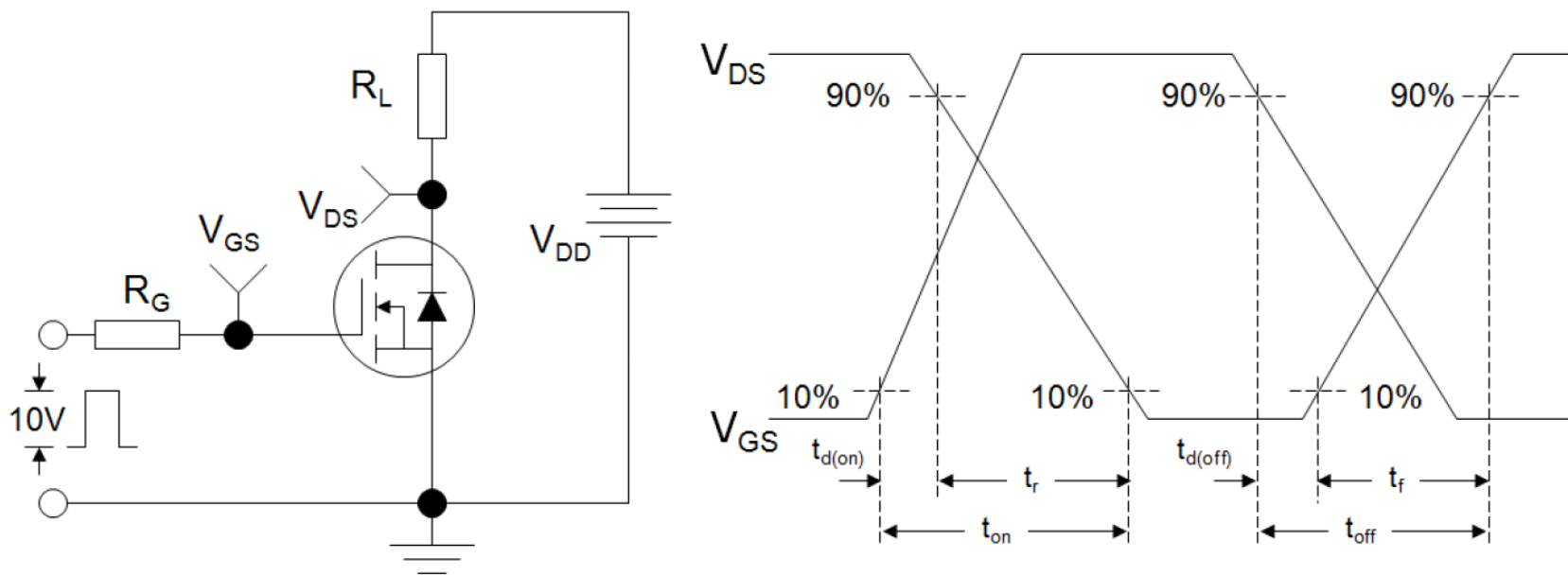
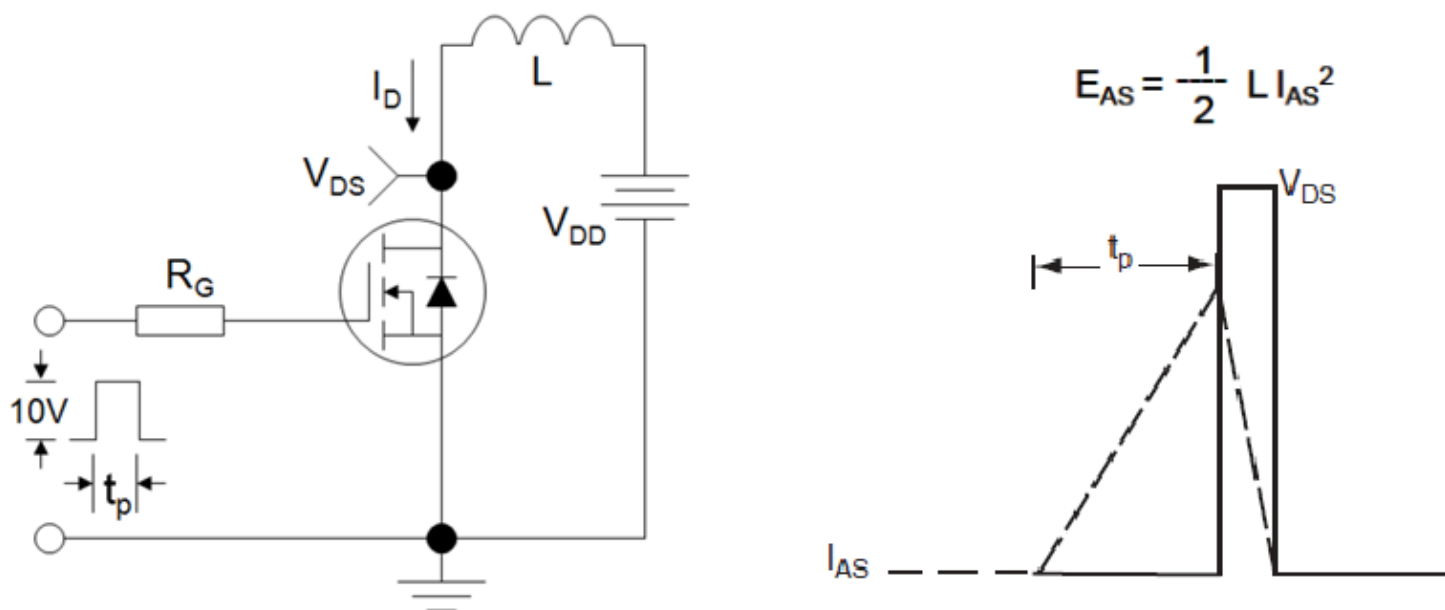
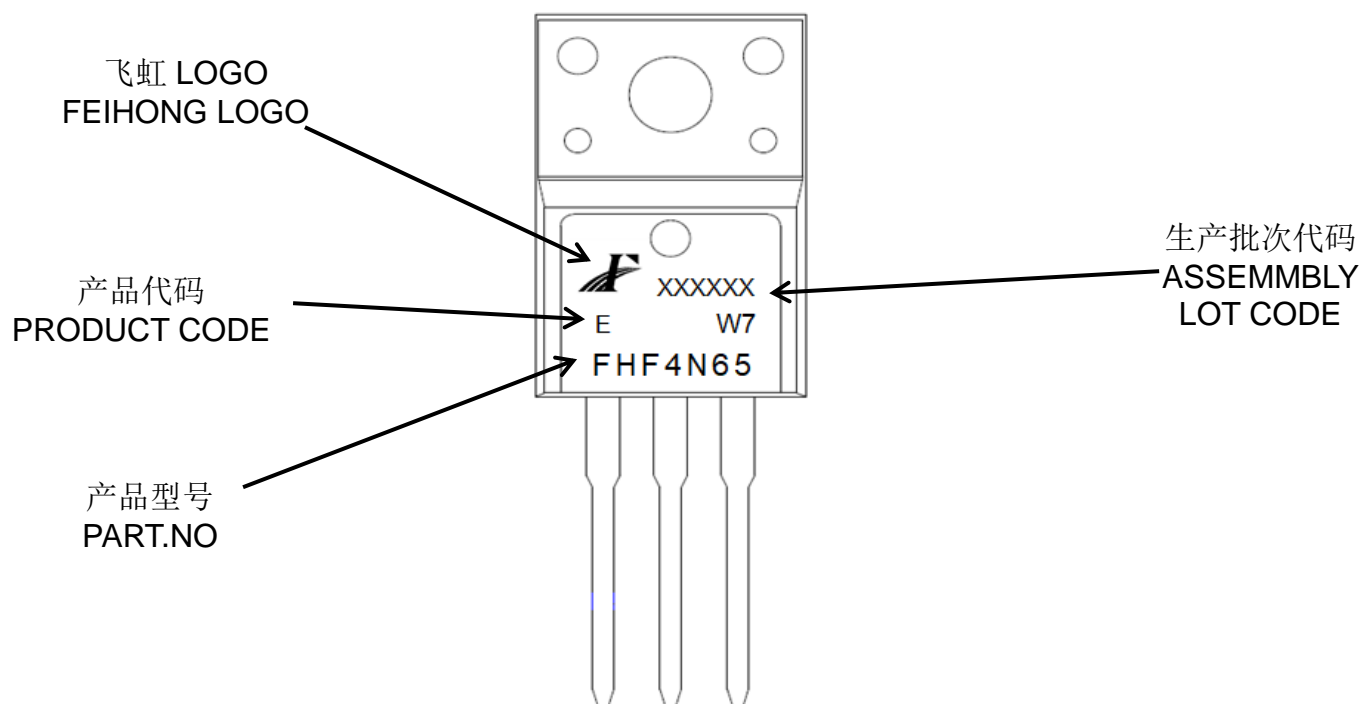
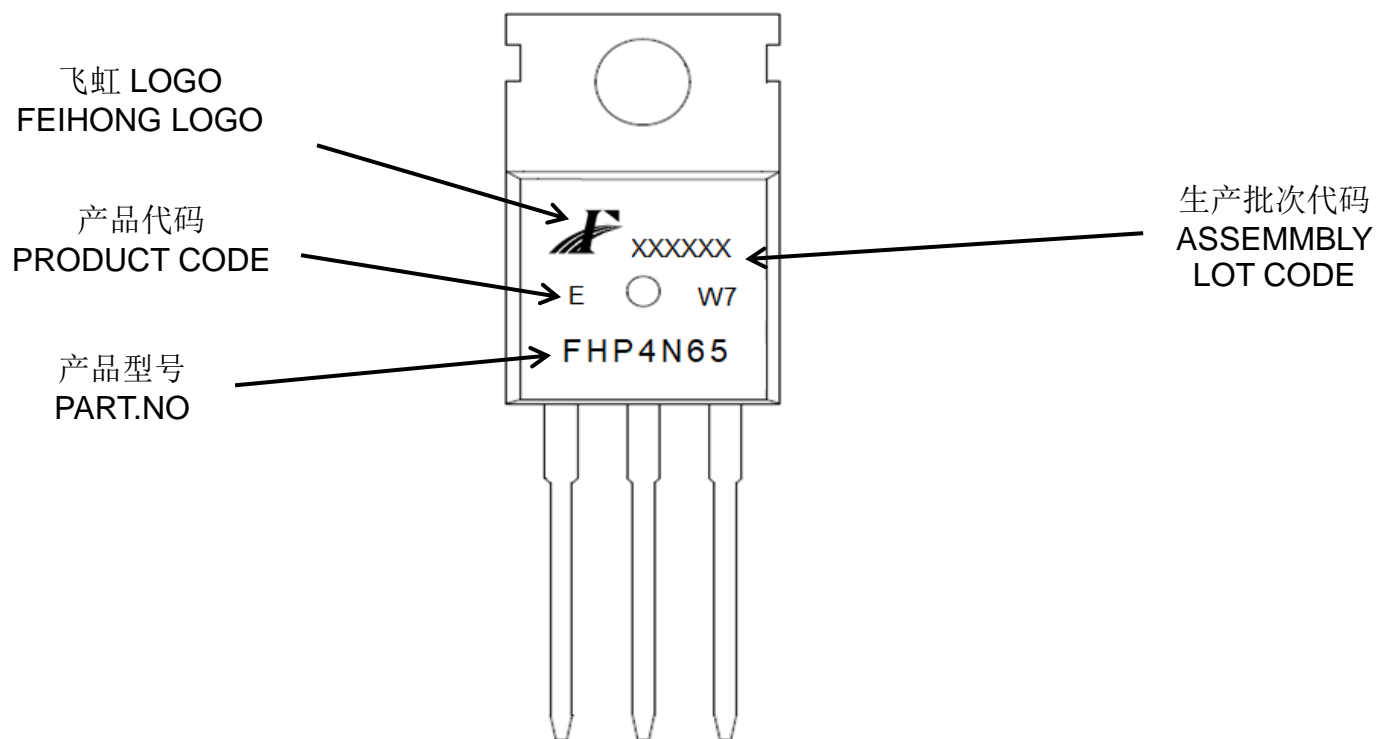
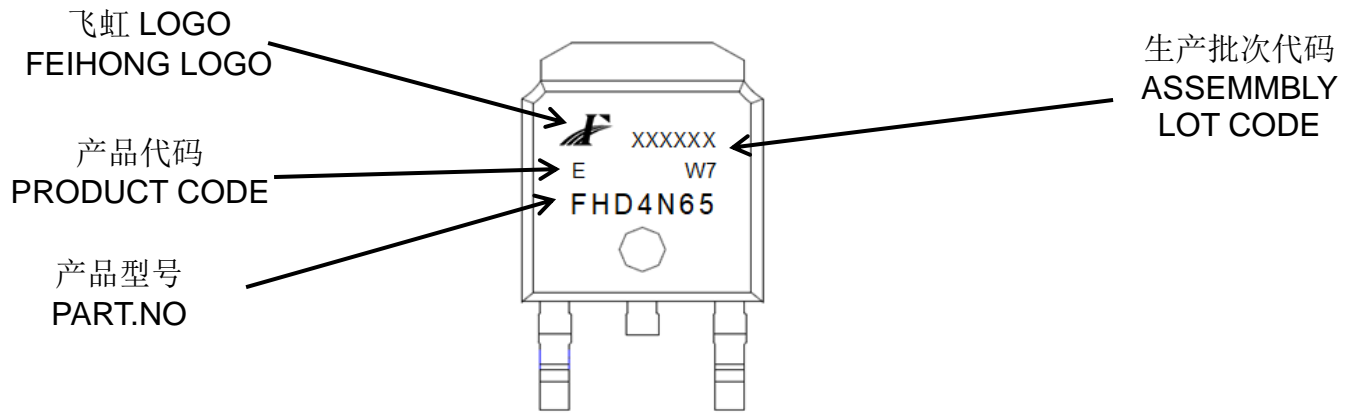
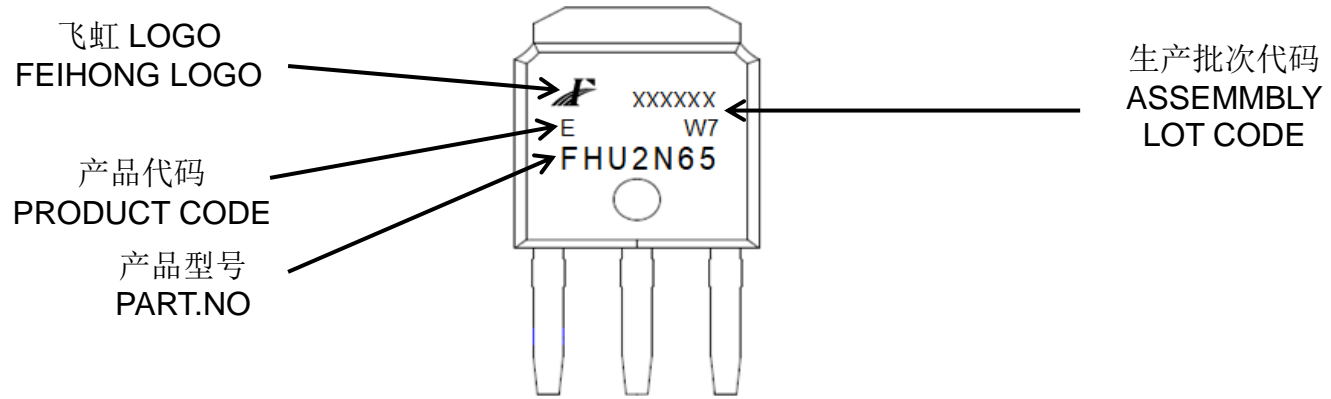


Figure C: Unclamped Inductive Switching Test Circuit and Waveform



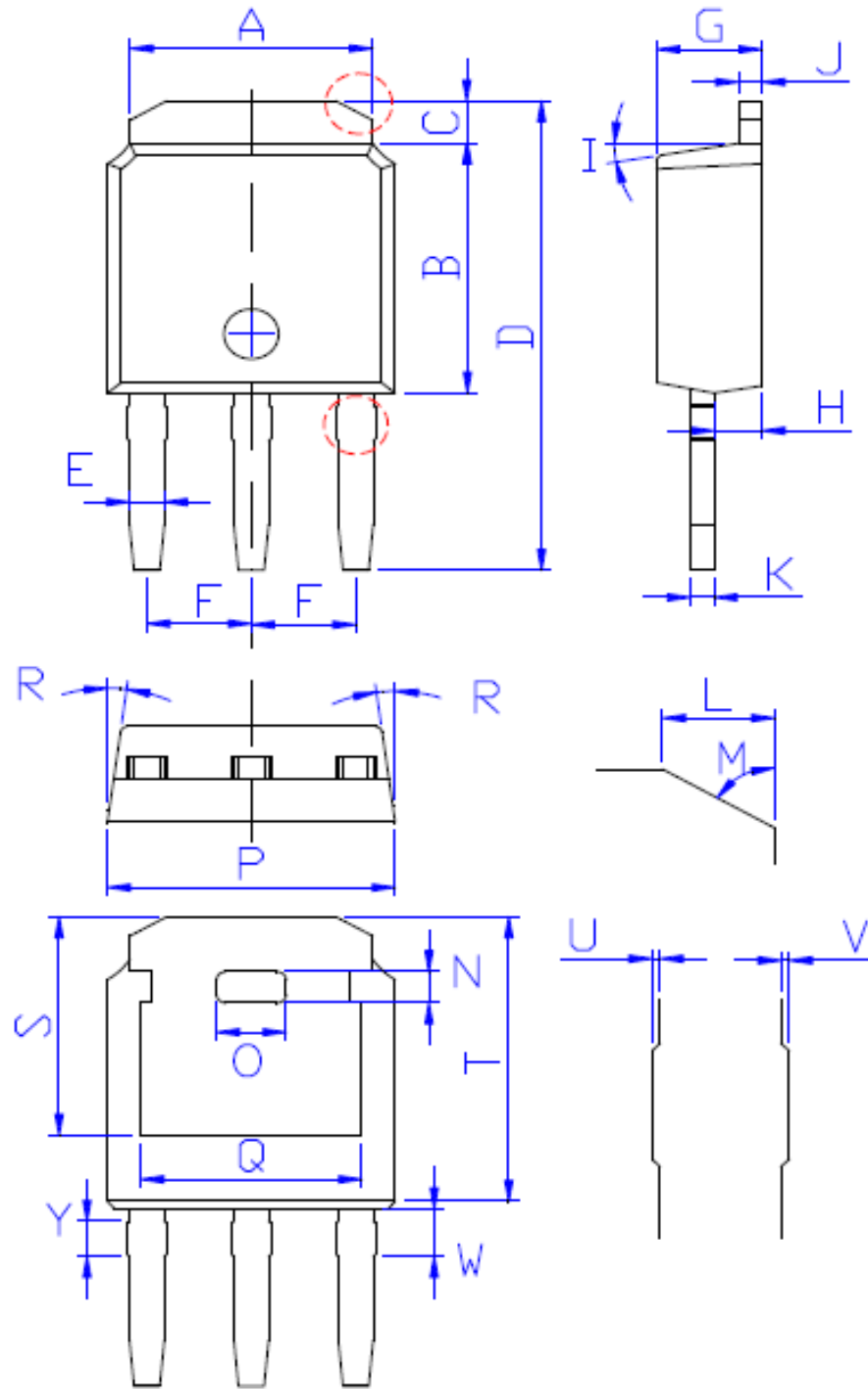
印记 Marking:



外形尺寸:

Package Dimension:

TO-251



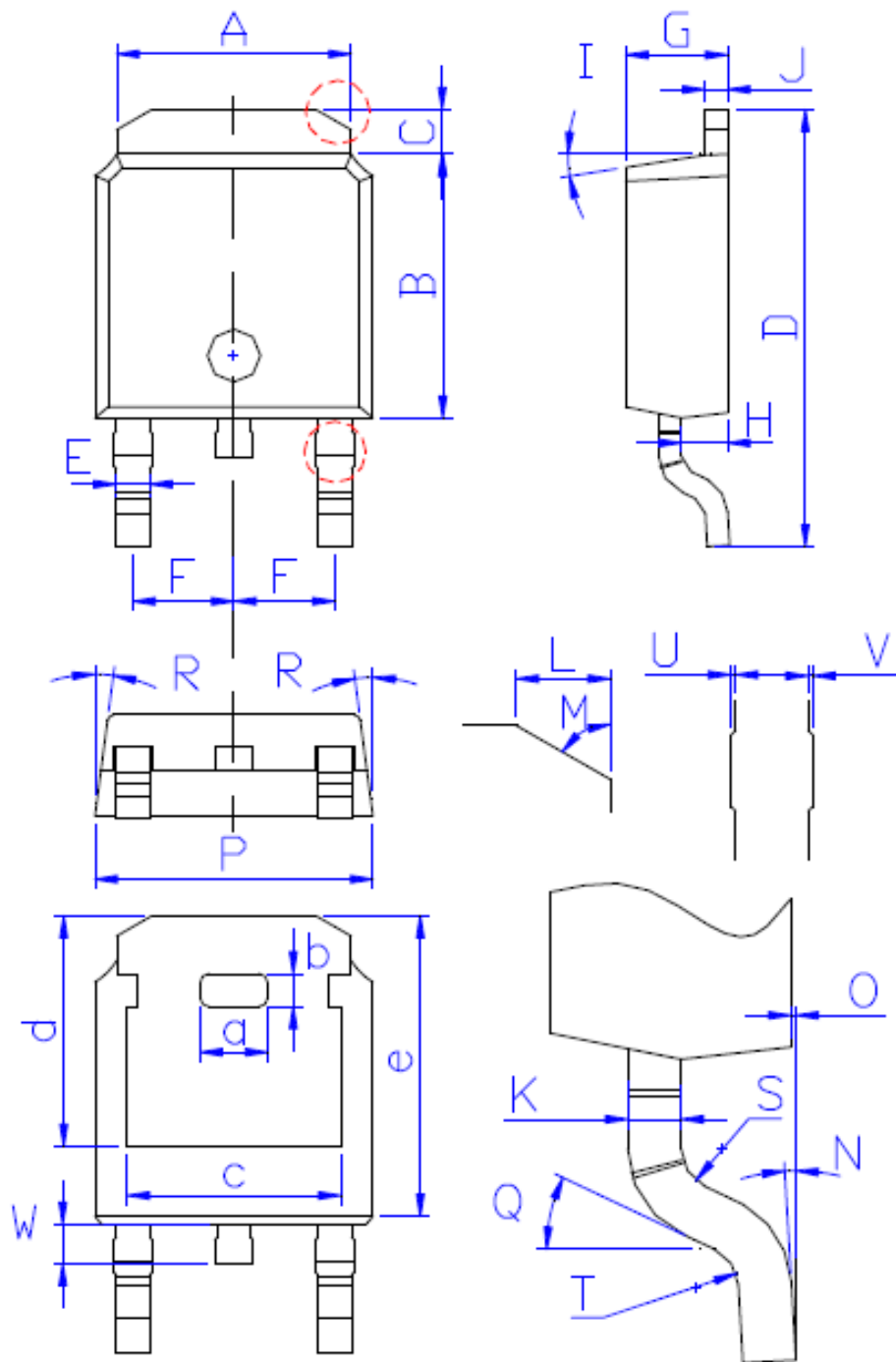
DIM	MILLIMETERS
A	5.34±0.30
B	6.00±0.30
C	1.05±0.30
D	11.31±0.30
E	0.76±0.15
F	2.28±0.15
G	2.30±0.30
H	1.06±0.30
I	(4-10)°
J	0.51±0.15
K	0.52±0.15
L	0.80±0.30
M	60°
N	0.75±0.30
O	1.80±0.30
P	6.60±0.30
Q	4.85±0.30
R	(4-8.5)°
S	5.30±0.30
T	6.90±0.30
U	0.05±0.05
V	0.05±0.05
W	1.15±0.25
Y	0.85±0.25

(Unit: mm)

外形尺寸:

Package Dimension:

TO-252



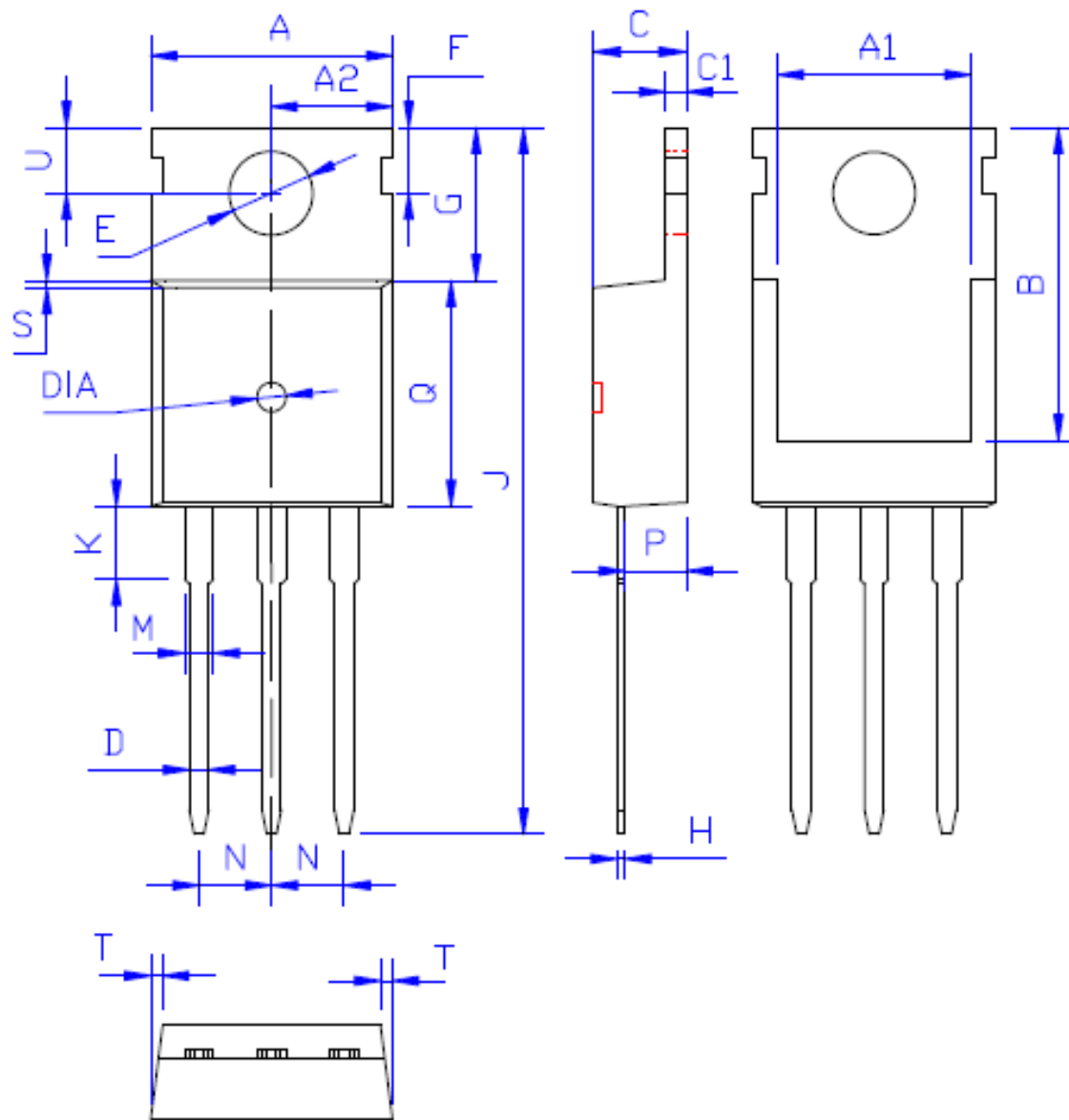
DIM	MILLIMETERS
A	5.34±0.30
B	6.00±0.30
C	1.05±0.30
D	9.95±0.30
E	0.76±0.15
F	2.28±0.15
G	2.30±0.30
H	1.06±0.30
I	(4-10)°
J	0.51±0.15
K	0.52±0.15
L	0.80±0.30
M	60°
N	(0-10)°
O	0.05±0.05
P	6.60±0.30
Q	25°
R	(4-8.5)°
S	R0.40
T	R0.40
U	0.05±0.05
V	0.05±0.05
W	0.90±0.30
a	1.80±0.30
b	0.75±0.30
c	4.85±0.30
d	5.30±0.30
e	6.90±0.30

(Units: mm)

外形尺寸:

Package Dimension:

TO-220



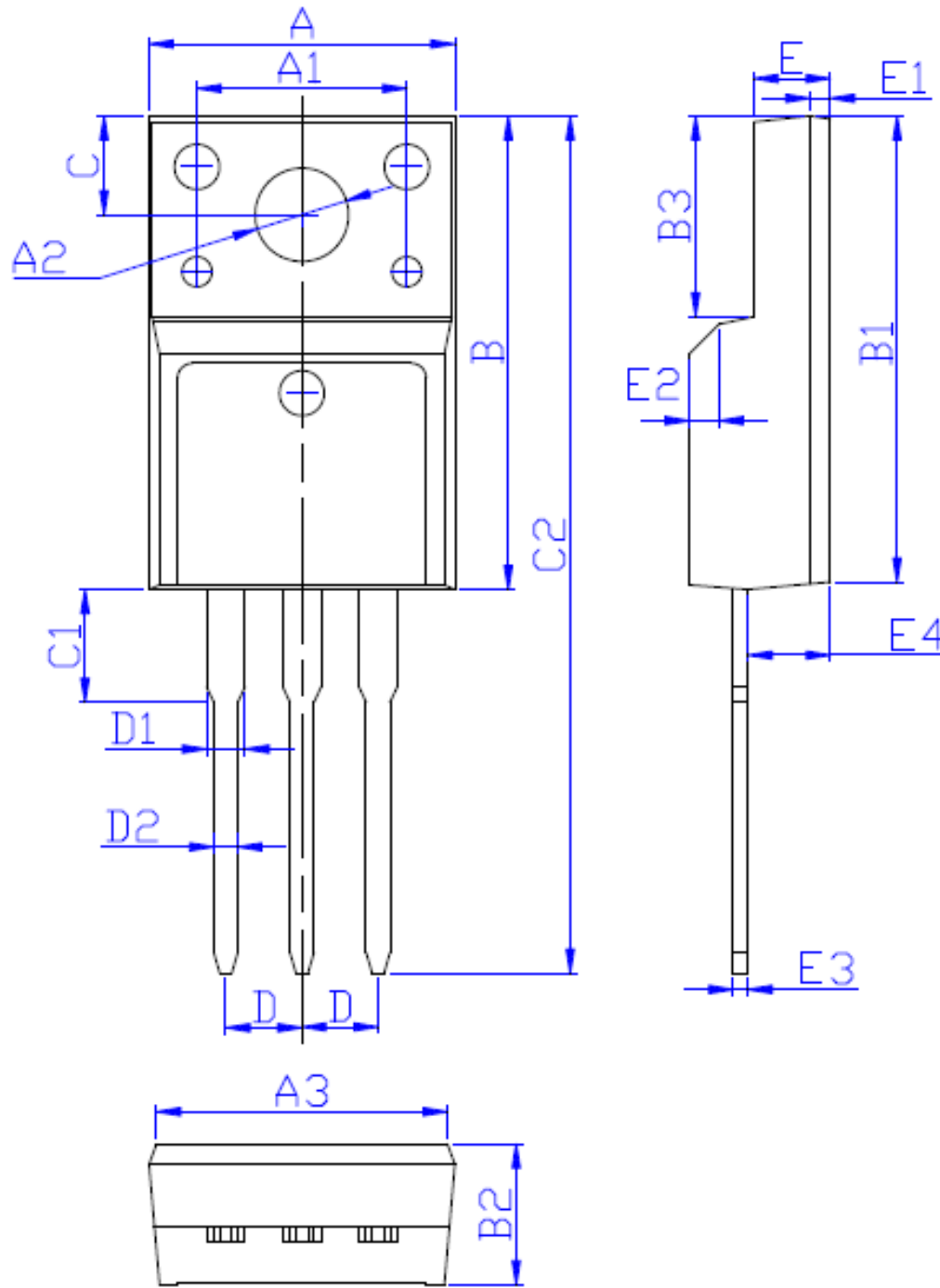
DIM	MILLIMETERS
A	10.00±0.30
A1	8.00±0.30
A2	5.00±0.30
B	13.20±0.40
C	4.50±0.20
C1	1.30±0.20
D	0.80±0.20
E	3.60±0.20
F	3.00±0.30
G	6.60±0.40
H	0.50±0.20
J	28.88±0.50
K	3.00±0.30
M	1.30±0.30
N	Typical 2.54
P	2.40±0.40
Q	9.20±0.40
S	0.25±0.15
T	0.25±0.15
U	2.80±0.30
DIA	宽 1.50±0.10 深 0.50 MAX

(Unit: mm)

外形尺寸:

Package Dimension:

TO-220F



DIM	MILLIMETERS
A	10.16±0.30
A1	7.00±0.20
A2	3.12±0.20
A3	9.70±0.30
B	15.90±0.50
B1	15.60±0.50
B2	4.70±0.30
B3	6.70±0.30
C	3.30±0.25
C1	3.25±0.30
C2	28.70±0.50
D	Typical 2.54
D1	1.47 (MAX)
D2	0.80±0.20
E	2.55±0.25
E1	0.70±0.25
E2	1.0×45°
E3	0.50±0.20
E4	2.75±0.30

(Unit: mm)