

CC2630 SimpleLink™ 6LoWPAN、ZigBee® 无线 MCU

1 器件概述

1.1 特性

- 微控制器
 - 强大的 ARM® Cortex®-M3
 - EEMBC CoreMark®评分: 142
 - 高达 48MHz 的时钟速度
 - 128KB 系统内可编程闪存
 - ROM 中的 TI-RTOS 和 蓝牙®软件
 - 高达 28KB 系统 SRAM, 其中 20KB 为超低泄漏静态随机存取存储器 (SRAM)
 - 8KB SRAM, 适用于缓存或系统 RAM 使用
 - 2 引脚 cJTAG 和 JTAG 调试
 - 支持无线升级 (OTA)
- 超低功耗传感器控制器
 - 可独立于系统其余部分自主运行
 - 16 位架构
 - 2KB 超低泄漏代码和数据 SRAM
- 高效代码尺寸架构, 只读存储器 (ROM) 中装载驱动程序、IEEE 802.15.4 MAC、和引导加载程序
- 封装符合 RoHS 标准
 - 4mm x 4mm RSM VQFN32 封装 (10 个 GPIO)
 - 5mm x 5mm RHB VQFN32 封装 (15 个 GPIO)
 - 7mm x 7mm RGZ VQFN48 封装 (31 个 GPIO)
- 外设
 - 所有数字外设引脚均可连接任意 GPIO
 - 四个通用定时器模块 (8 x 16 位或 4 x 32 位, 均采用脉宽调制 (PWM))
 - 12 位模数转换器 (ADC)、200MSPS、8 通道模拟多路复用器
 - 持续时间比较器
 - 超低功耗模拟比较器
 - 可编程电流源
 - UART
 - 2 个同步串行接口 (SSI) (SPI、MICROWIRE 和 TI)
 - I2C
 - I2S
 - 实时时钟 (RTC)
 - AES-128 安全模块
 - 真随机数发生器 (TRNG)
 - 10、15 或 31 个 GPIO, 具体取决于所用封装选项
 - 支持八个电容感测按钮
 - 集成温度传感器
- 外部系统
 - 片上内部 DC-DC 转换器



- 极少的外部组件
- 无缝集成 SimpleLink™ CC2590 和 CC2592 范围扩展器
- 与采用 4mm x 4mm 和 5mm x 5mm VQFN 封装的 SimpleLink CC13xx 引脚兼容
- 低功耗
 - 宽电源电压范围
 - 正常工作电压: 1.8V 至 3.8V
 - 外部稳压器模式: 1.7V 至 1.95V
 - 有源模式 RX: 5.9mA
 - 有源模式 TX (0dBm): 6.1mA
 - 有源模式 TX (+5dBm): 9.1mA
 - 有源模式 MCU: 61µA/MHz
 - 有源模式 MCU: 48.5 CoreMark/mA
 - 有源模式传感器控制器: 0.4mA + 8.2µA/MHz
 - 待机电流: 1.1µA (RTC 运行, RAM/CPU 保持)
 - 关断电流: 100nA (发生外部事件时唤醒)
- 射频 (RF) 部分
 - 2.4GHz RF 收发器, 符合 IEEE 802.15.4 PHY 和 MAC
 - 出色的接收器灵敏度(-100dBm)、可选择性和阻断性能
 - 105dB 的链路预算
 - 最高达 +5dBm 的可编程输出功率
 - 单端或差分 RF 接口
 - 适用于符合各项全球射频规范的系统
 - ETSI EN 300 328 (欧洲)
 - EN 300 440 2 类 (欧洲)
 - FCC CFR47 第 15 部分 (美国)
 - ARIB STD-T66 (日本)
- 工具和开发环境
 - 功能全面的低成本开发套件
 - 针对不同 RF 配置的多种参考设计
 - 数据包监听器 PC 软件
 - Sensor Controller Studio
 - SmartRF™ Studio
 - SmartRF Flash Programmer2
 - IAR Embedded Workbench® (用于 ARM)
 - Code Composer Studio™
 - CCS Cloud

1.2 应用

- 家庭和楼宇自动化
- 照明控制
- 警报和安全
- 电子货架标签
- Proximity Tag
- 无线传感器网络
- 能量采集、无电池传感器和传动器
- 智能电网

1.3 说明

CC2630 器件是一款无线微控制器 (MCU)，主要适用于 ZigBee® 和 6LoWPAN 应用。

此器件属于 SimpleLink™ CC26xx 系列中的经济高效型超低功耗 2.4GHz RF 器件。它具有极低的有源 RF 和 MCU 电流以及低功耗模式流耗，可确保卓越的电池使用寿命，适合小型纽扣电池供电以及在能源采集型应用中 使用。

SimpleLink Bluetooth 低功耗 CC2630 器件含有一个 32 位 ARM® Cortex®-M3 内核（与主处理器工作频率同为 48MHz），并且具有丰富的外设功能集，其中包括一个独特的超低功耗传感器控制器。此传感器控制器非常适合连接外部传感器，还适合用于在系统其余部分处于睡眠模式的情况下自主收集模拟和数字数据。因此，CC2630 器件成为 ZigBee 和 6LoWPAN 网络中电池供电和能量采集终端节点的理想选择。

CC2630 无线 MCU 的电源和时钟管理以及无线系统需要采用特定配置并由软件处理才能正确运行，这已在 TI-RTOS 中实现。TI 建议将此软件框架应用于针对器件的全部应用程序开发过程。完整的 TI-RTOS 和器件驱动程序以源代码形式免费提供，下载地址：www.ti.com。

IEEE 802.15.4 MAC 嵌入在 ROM 中，并在 ARM® Cortex®-M0 处理器上单独运行。此架构可改善整体系统性能和功耗，并释放闪存以供应用。

ZigBee 协议栈可从 www.ti.com.cn 免费获取。

器件信息⁽¹⁾

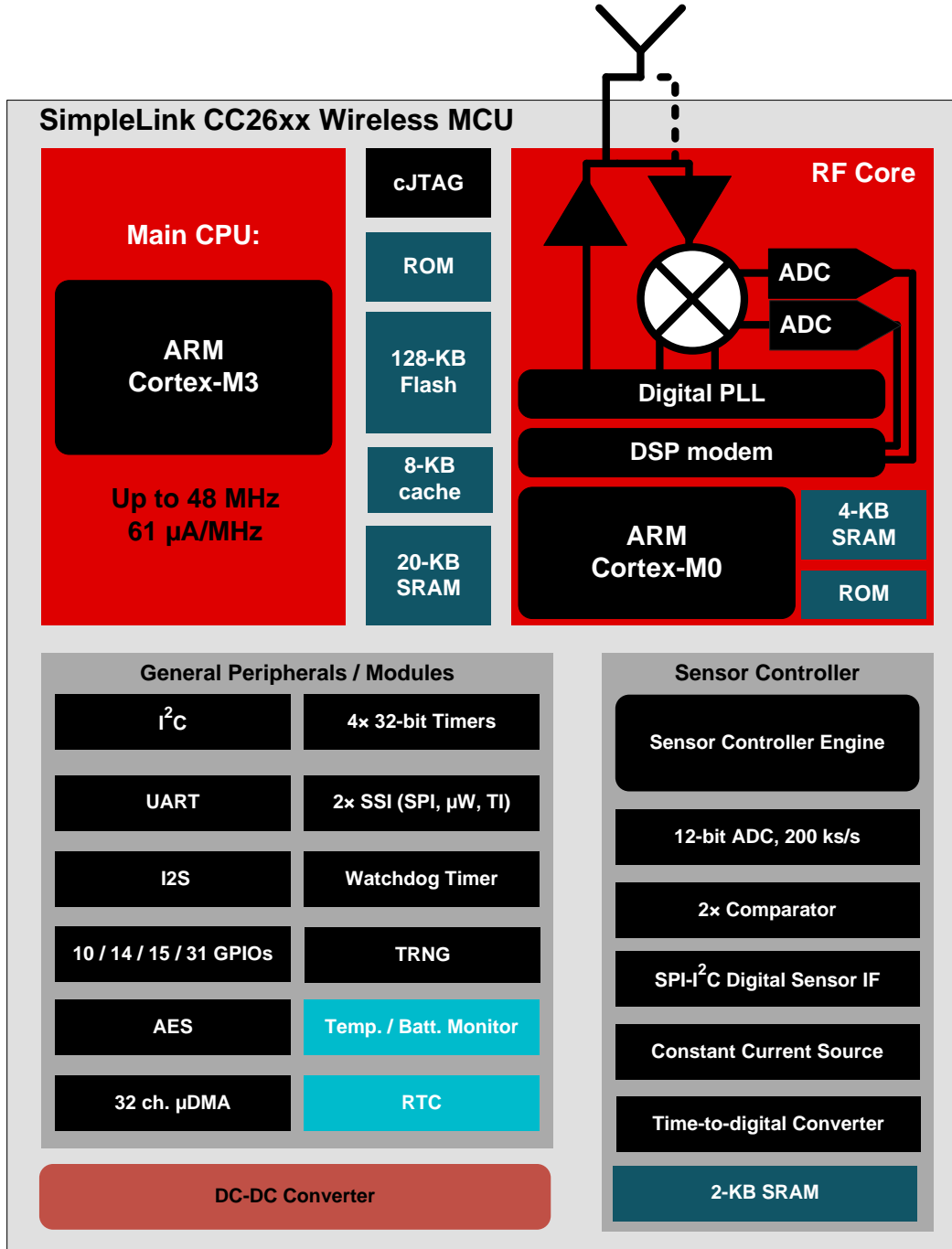
| 产品型号 | 封装 | 封装尺寸（标称值） |
|---------------|-----------|-----------------|
| CC2630F128RGZ | VQFN (48) | 7.00mm x 7.00mm |
| CC2630F128RHB | VQFN (32) | 5.00mm x 5.00mm |
| CC2630F128RSM | VQFN (32) | 4.00mm x 4.00mm |

(1) 详细信息请参见 节 9。

1.4 功能框图

图 1-1 给出了 CC2630 器件的框图。

中的功能框图



Copyright © 2016, Texas Instruments Incorporated

图 1-1. 方框图

内容

| | | | | | |
|----------|--|-----------|----------|---|-----------|
| 1 | 器件概述 | 1 | 5.20 | Thermal Resistance Characteristics | 24 |
| 1.1 | 特性 | 1 | 5.21 | Timing Requirements | 25 |
| 1.2 | 应用 | 3 | 5.22 | Switching Characteristics | 25 |
| 1.3 | 说明 | 3 | 5.23 | Typical Characteristics | 26 |
| 1.4 | 功能框图 | 4 | 6 | Detailed Description | 30 |
| 2 | 修订历史记录 | 6 | 6.1 | Overview | 30 |
| 3 | Device Comparison | 7 | 6.2 | Functional Block Diagram | 30 |
| 3.1 | Related Products | 7 | 6.3 | Main CPU | 31 |
| 4 | Terminal Configuration and Functions | 8 | 6.4 | RF Core | 31 |
| 4.1 | Pin Diagram – RGZ Package | 8 | 6.5 | Sensor Controller | 32 |
| 4.2 | Signal Descriptions – RGZ Package | 9 | 6.6 | Memory | 33 |
| 4.3 | Pin Diagram – RHB Package | 11 | 6.7 | Debug | 33 |
| 4.4 | Signal Descriptions – RHB Package | 12 | 6.8 | Power Management | 34 |
| 4.5 | Pin Diagram – RSM Package | 13 | 6.9 | Clock Systems | 35 |
| 4.6 | Signal Descriptions – RSM Package | 14 | 6.10 | General Peripherals and Modules | 35 |
| 5 | Specifications | 15 | 6.11 | Voltage Supply Domains | 36 |
| 5.1 | Absolute Maximum Ratings | 15 | 6.12 | System Architecture | 36 |
| 5.2 | ESD Ratings | 15 | 7 | Application, Implementation, and Layout | 37 |
| 5.3 | Recommended Operating Conditions | 15 | 7.1 | Application Information | 37 |
| 5.4 | Power Consumption Summary | 16 | 7.2 | 5 × 5 External Differential (5XD) Application Circuit | 39 |
| 5.5 | General Characteristics | 16 | 7.3 | 4 × 4 External Single-ended (4XS) Application Circuit | 41 |
| 5.6 | IEEE 802.15.4 (Offset Q-PSK DSSS, 250 kbps) – RX | 17 | 8 | 器件和文档支持 | 43 |
| 5.7 | IEEE 802.15.4 (Offset Q-PSK DSSS, 250 kbps) – TX | 17 | 8.1 | 器件命名规则 | 43 |
| 5.8 | 24-MHz Crystal Oscillator (XOSC_HF) | 18 | 8.2 | 工具与软件 | 44 |
| 5.9 | 32.768-kHz Crystal Oscillator (XOSC_LF) | 18 | 8.3 | 文档支持 | 45 |
| 5.10 | 48-MHz RC Oscillator (RCOSC_HF) | 19 | 8.4 | 德州仪器 (TI) 低功耗射频网站 | 45 |
| 5.11 | 32-kHz RC Oscillator (RCOSC_LF) | 19 | 8.5 | 低功耗射频电子新闻简报 | 45 |
| 5.12 | ADC Characteristics | 19 | 8.6 | 社区资源 | 45 |
| 5.13 | Temperature Sensor | 20 | 8.7 | 其他信息 | 46 |
| 5.14 | Battery Monitor | 20 | 8.8 | 商标 | 46 |
| 5.15 | Continuous Time Comparator | 20 | 8.9 | 静电放电警告 | 46 |
| 5.16 | Low-Power Clocked Comparator | 21 | 8.10 | 出口管制提示 | 46 |
| 5.17 | Programmable Current Source | 21 | 8.11 | Glossary | 46 |
| 5.18 | Synchronous Serial Interface (SSI) | 21 | 9 | 机械、封装和可订购信息 | 46 |
| 5.19 | DC Characteristics | 23 | 9.1 | 封装信息 | 46 |

2 修订历史记录

注：之前版本的页码可能与当前版本有所不同。

| Changes from October 15, 2015 to July 5, 2016 | Page |
|--|--------------------|
| • 已添加 分离 VDDS 电源轨特性 | 1 |
| • 已添加 2Mbps <i>Bluetooth</i> 低功耗 | 1 |
| • Added option for up to 80-Ω ESR when C_L is 6 pF or lower | 18 |
| • Added motional inductance recommendation to the 24-MHz XOSC table | 18 |
| • Added tolerance for RCOSC_LF and RTC accuracy content | 19 |
| • Updated the Soc ADC internal voltage reference specification in Section 5.12 | 19 |
| • Moved all SSI parameters to Section 5.18 | 21 |
| • Added SPI timing parameters | 21 |
| • Added VOH and VOL min and max values for 4-mA and 8-mA load | 23 |
| • Added min and max values for VIH and VIL | 24 |
| • Added 0-dBm setting to the <i>TX Current Consumption vs Supply Voltage (VDDS)</i> graph | 26 |
| • Changed Figure 5-11 , <i>Receive Mode Current vs Supply Voltage (VDDS)</i> | 26 |
| • Added Figure 5-20 , <i>Supply Current vs Temperature</i> | 27 |
| • Added application circuit schematics and layout for 5XD and 4XS | 37 |

| Changes from February 21, 2015 to October 15, 2015 | Page |
|---|--------------------|
| • Removed RHB package option from CC2620 | 7 |
| • Added motional inductance recommendation to the 24-MHz XOSC table | 18 |
| • Added SPI timing parameters | 21 |
| • Added VOH and VOL min and max values for 4-mA and 8-mA load | 23 |
| • Added min and max values for VIH and VIL | 24 |
| • Added <i>IEEE 802.15.4 Sensitivity vs Channel Frequency</i> | 26 |
| • Added <i>RF Output Power vs Channel Frequency</i> | 26 |
| • Added Figure 5-11 , <i>Receive Mode Current vs Supply Voltage (VDDS)</i> | 26 |
| • Changed Figure 5-19 , <i>SoC ADC ENOB vs Sampling Frequency (Input Frequency = FS / 10)</i> | 27 |
| • Clarified Brown Out Detector status and functionality in the <i>Power Modes</i> table. | 34 |
| • Added application circuit schematics and layout for 5XD and 4XS | 37 |

3 Device Comparison

Table 3-1. Device Family Overview

| Device | PHY Support | Flash (KB) | RAM (KB) | GPIO | Package ⁽¹⁾ |
|---------------|--------------------------------|------------|----------|------------|------------------------|
| CC2640F128xxx | Bluetooth low energy (Normal) | 128 | 20 | 31, 15, 10 | RGZ, RHB, RSM |
| CC2650F128xxx | Multi-Protocol ⁽²⁾ | 128 | 20 | 31, 15, 10 | RGZ, RHB, RSM |
| CC2630F128xxx | IEEE 802.15.4 Zigbee(/6LoWPAN) | 128 | 20 | 31, 15, 10 | RGZ, RHB, RSM |
| CC2620F128xxx | IEEE 802.15.4 (RF4CE) | 128 | 20 | 31, 10 | RGZ, RSM |

(1) Package designator replaces the xxx in device name to form a complete device name, RGZ is 7-mm x 7-mm VQFN48, RHB is 5-mm x 5-mm VQFN32, RSM is 4-mm x 4-mm VQFN32, and YFV is 2.7-mm x 2.7-mm DSBGA.

(2) The CC2650 device supports all PHYs and can be reflashed to run all the supported standards.

3.1 Related Products

Wireless Connectivity

The wireless connectivity portfolio offers a wide selection of low-power RF solutions suitable for a broad range of applications. The offerings range from fully customized solutions to turn key offerings with pre-certified hardware and software (protocol).

Sub-1 GHz

Long-range, low-power wireless connectivity solutions are offered in a wide range of Sub-1 GHz ISM bands.

Companion Products

Review products that are frequently purchased or used in conjunction with this product.

SimpleLink™ CC2650 Wireless MCU LaunchPad™ Kit

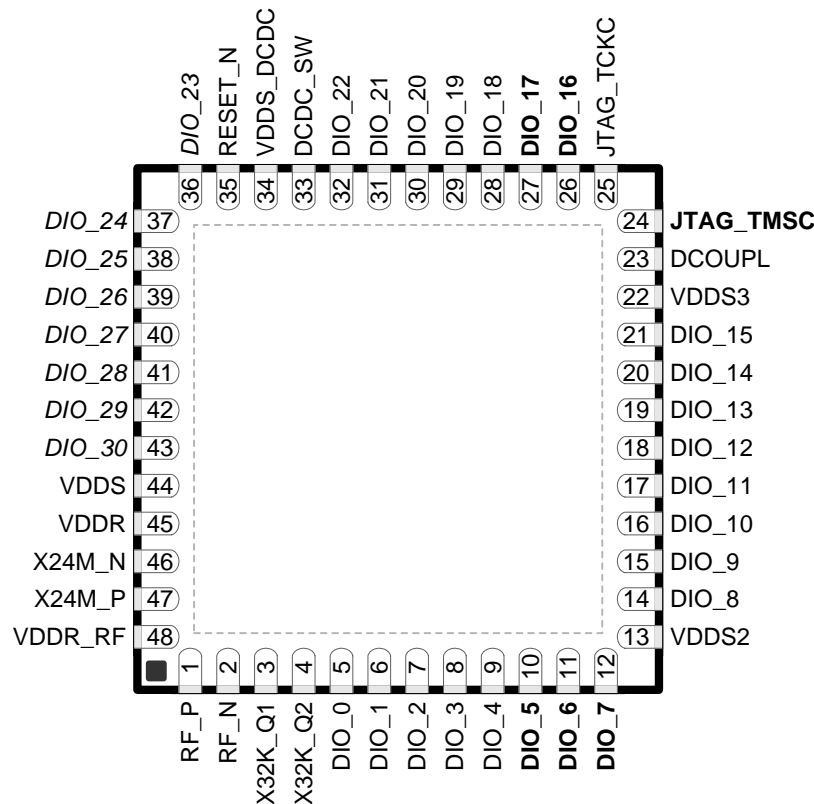
The CC2650 LaunchPad™ development kit brings easy Bluetooth® low energy connectivity to the LaunchPad kit ecosystem with the SimpleLink ultra-low power CC26xx family of devices. This LaunchPad kit also supports development for multi-protocol support for the SimpleLink multi-standard CC2650 wireless MCU and the rest of CC26xx family of products: CC2630 wireless MCU for ZigBee®/6LoWPAN and CC2640 wireless MCU for Bluetooth low energy.

Reference Designs for CC2630

TI Designs Reference Design Library is a robust reference design library spanning analog, embedded processor and connectivity. Created by TI experts to help you jump-start your system design, all TI Designs include schematic or block diagrams, BOMs, and design files to speed your time to market. Search and download designs at ti.com/tidesigns.

4 Terminal Configuration and Functions

4.1 Pin Diagram – RGZ Package



**Figure 4-1. RGZ Package
48-Pin VQFN
(7-mm × 7-mm) Pinout, 0.5-mm Pitch**

I/O pins marked in [Figure 4-1](#) in **bold** have high-drive capabilities; they are the following:

- Pin 10, **DIO_5**
- Pin 11, **DIO_6**
- Pin 12, **DIO_7**
- Pin 24, **JTAG_TMSC**
- Pin 26, **DIO_16**
- Pin 27, **DIO_17**

I/O pins marked in [Figure 4-1](#) in *italics* have analog capabilities; they are the following:

- Pin 36, *DIO_23*
- Pin 37, *DIO_24*
- Pin 38, *DIO_25*
- Pin 39, *DIO_26*
- Pin 40, *DIO_27*
- Pin 41, *DIO_28*
- Pin 42, *DIO_29*
- Pin 43, *DIO_30*

4.2 Signal Descriptions – RGZ Package

Table 4-1. Signal Descriptions – RGZ Package

| NAME | NO. | TYPE | DESCRIPTION |
|------------|-----|--------------------|---|
| DCDC_SW | 33 | Power | Output from internal DC-DC ⁽¹⁾ |
| DCOUP | 23 | Power | 1.27-V regulated digital-supply decoupling capacitor ⁽²⁾ |
| DIO_0 | 5 | Digital I/O | GPIO, Sensor Controller |
| DIO_1 | 6 | Digital I/O | GPIO, Sensor Controller |
| DIO_2 | 7 | Digital I/O | GPIO, Sensor Controller |
| DIO_3 | 8 | Digital I/O | GPIO, Sensor Controller |
| DIO_4 | 9 | Digital I/O | GPIO, Sensor Controller |
| DIO_5 | 10 | Digital I/O | GPIO, Sensor Controller, high-drive capability |
| DIO_6 | 11 | Digital I/O | GPIO, Sensor Controller, high-drive capability |
| DIO_7 | 12 | Digital I/O | GPIO, Sensor Controller, high-drive capability |
| DIO_8 | 14 | Digital I/O | GPIO |
| DIO_9 | 15 | Digital I/O | GPIO |
| DIO_10 | 16 | Digital I/O | GPIO |
| DIO_11 | 17 | Digital I/O | GPIO |
| DIO_12 | 18 | Digital I/O | GPIO |
| DIO_13 | 19 | Digital I/O | GPIO |
| DIO_14 | 20 | Digital I/O | GPIO |
| DIO_15 | 21 | Digital I/O | GPIO |
| DIO_16 | 26 | Digital I/O | GPIO, JTAG_TDO, high-drive capability |
| DIO_17 | 27 | Digital I/O | GPIO, JTAG_TDI, high-drive capability |
| DIO_18 | 28 | Digital I/O | GPIO |
| DIO_19 | 29 | Digital I/O | GPIO |
| DIO_20 | 30 | Digital I/O | GPIO |
| DIO_21 | 31 | Digital I/O | GPIO |
| DIO_22 | 32 | Digital I/O | GPIO |
| DIO_23 | 36 | Digital/Analog I/O | GPIO, Sensor Controller, Analog |
| DIO_24 | 37 | Digital/Analog I/O | GPIO, Sensor Controller, Analog |
| DIO_25 | 38 | Digital/Analog I/O | GPIO, Sensor Controller, Analog |
| DIO_26 | 39 | Digital/Analog I/O | GPIO, Sensor Controller, Analog |
| DIO_27 | 40 | Digital/Analog I/O | GPIO, Sensor Controller, Analog |
| DIO_28 | 41 | Digital/Analog I/O | GPIO, Sensor Controller, Analog |
| DIO_29 | 42 | Digital/Analog I/O | GPIO, Sensor Controller, Analog |
| DIO_30 | 43 | Digital/Analog I/O | GPIO, Sensor Controller, Analog |
| JTAG_TMISC | 24 | Digital I/O | JTAG TMISC, high-drive capability |
| JTAG_TCKC | 25 | Digital I/O | JTAG TCKC |
| RESET_N | 35 | Digital input | Reset, active-low. No internal pullup. |
| RF_P | 1 | RF I/O | Positive RF input signal to LNA during RX Positive RF output signal to PA during TX |
| RF_N | 2 | RF I/O | Negative RF input signal to LNA during RX Negative RF output signal to PA during TX |
| VDDR | 45 | Power | 1.7-V to 1.95-V supply, typically connect to output of internal DC-DC ⁽²⁾⁽³⁾ |
| VDDR_RF | 48 | Power | 1.7-V to 1.95-V supply, typically connect to output of internal DC-DC ⁽²⁾⁽⁴⁾ |
| VDDS | 44 | Power | 1.8-V to 3.8-V main chip supply ⁽¹⁾ |

(1) For more details, see the technical reference manual (listed in [§ 8.3](#)).

(2) Do not supply external circuitry from this pin.

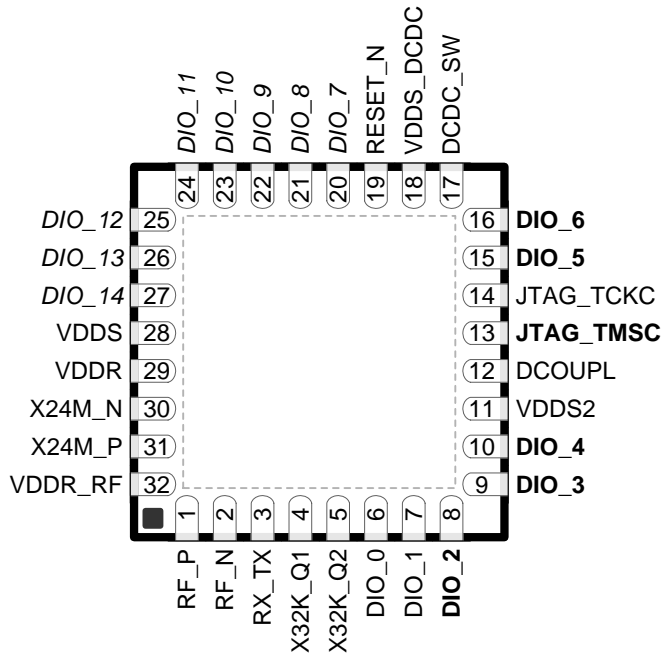
(3) If internal DC-DC is not used, this pin is supplied internally from the main LDO.

(4) If internal DC-DC is not used, this pin must be connected to VDDR for supply from the main LDO.

Table 4-1. Signal Descriptions – RGZ Package (continued)

| NAME | NO. | TYPE | DESCRIPTION |
|-----------|-----|------------|--|
| VDDS2 | 13 | Power | 1.8-V to 3.8-V DIO supply ⁽¹⁾ |
| VDDS3 | 22 | Power | 1.8-V to 3.8-V DIO supply ⁽¹⁾ |
| VDDS_DCDC | 34 | Power | 1.8-V to 3.8-V DC-DC supply |
| X32K_Q1 | 3 | Analog I/O | 32-kHz crystal oscillator pin 1 |
| X32K_Q2 | 4 | Analog I/O | 32-kHz crystal oscillator pin 2 |
| X24M_N | 46 | Analog I/O | 24-MHz crystal oscillator pin 1 |
| X24M_P | 47 | Analog I/O | 24-MHz crystal oscillator pin 2 |
| EGP | | Power | Ground – Exposed Ground Pad |

4.3 Pin Diagram – RHB Package



**Figure 4-2. RHB Package
32-Pin VQFN
(5-mm × 5-mm) Pinout, 0.5-mm Pitch**

I/O pins marked in [Figure 4-2](#) in **bold** have high-drive capabilities; they are the following:

- Pin 8, **DIO_2**
- Pin 9, **DIO_3**
- Pin 10, **DIO_4**
- Pin 13, **JTAG_TMSC**
- Pin 15, **DIO_5**
- Pin 16, **DIO_6**

I/O pins marked in [Figure 4-2](#) in *italics* have analog capabilities; they are the following:

- Pin 20, *DIO_7*
- Pin 21, *DIO_8*
- Pin 22, *DIO_9*
- Pin 23, *DIO_10*
- Pin 24, *DIO_11*
- Pin 25, *DIO_12*
- Pin 26, *DIO_13*
- Pin 27, *DIO_14*

4.4 Signal Descriptions – RHB Package

Table 4-2. Signal Descriptions – RHB Package

| NAME | NO. | TYPE | DESCRIPTION |
|------------|-----|--------------------|---|
| DCDC_SW | 17 | Power | Output from internal DC-DC ⁽¹⁾ |
| DCOUP | 12 | Power | 1.27-V regulated digital-supply decoupling ⁽²⁾ |
| DIO_0 | 6 | Digital I/O | GPIO, Sensor Controller |
| DIO_1 | 7 | Digital I/O | GPIO, Sensor Controller |
| DIO_2 | 8 | Digital I/O | GPIO, Sensor Controller, high-drive capability |
| DIO_3 | 9 | Digital I/O | GPIO, Sensor Controller, high-drive capability |
| DIO_4 | 10 | Digital I/O | GPIO, Sensor Controller, high-drive capability |
| DIO_5 | 15 | Digital I/O | GPIO, High drive capability, JTAG_TDO |
| DIO_6 | 16 | Digital I/O | GPIO, High drive capability, JTAG_TDI |
| DIO_7 | 20 | Digital/Analog I/O | GPIO, Sensor Controller, Analog |
| DIO_8 | 21 | Digital/Analog I/O | GPIO, Sensor Controller, Analog |
| DIO_9 | 22 | Digital/Analog I/O | GPIO, Sensor Controller, Analog |
| DIO_10 | 23 | Digital/Analog I/O | GPIO, Sensor Controller, Analog |
| DIO_11 | 24 | Digital/Analog I/O | GPIO, Sensor Controller, Analog |
| DIO_12 | 25 | Digital/Analog I/O | GPIO, Sensor Controller, Analog |
| DIO_13 | 26 | Digital/Analog I/O | GPIO, Sensor Controller, Analog |
| DIO_14 | 27 | Digital/Analog I/O | GPIO, Sensor Controller, Analog |
| JTAG_TMISC | 13 | Digital I/O | JTAG TMISC, high-drive capability |
| JTAG_TCKC | 14 | Digital I/O | JTAG TCKC |
| RESET_N | 19 | Digital input | Reset, active-low. No internal pullup. |
| RF_N | 2 | RF I/O | Negative RF input signal to LNA during RX Negative RF output signal to PA during TX |
| RF_P | 1 | RF I/O | Positive RF input signal to LNA during RX Positive RF output signal to PA during TX |
| RX_TX | 3 | RF I/O | Optional bias pin for the RF LNA |
| VDDR | 29 | Power | 1.7-V to 1.95-V supply, typically connect to output of internal DC-DC ⁽³⁾⁽²⁾ |
| VDDR_RF | 32 | Power | 1.7-V to 1.95-V supply, typically connect to output of internal DC-DC ⁽²⁾⁽⁴⁾ |
| VDDS | 28 | Power | 1.8-V to 3.8-V main chip supply ⁽¹⁾ |
| VDDS2 | 11 | Power | 1.8-V to 3.8-V GPIO supply ⁽¹⁾ |
| VDDS_DCDC | 18 | Power | 1.8-V to 3.8-V DC-DC supply |
| X32K_Q1 | 4 | Analog I/O | 32-kHz crystal oscillator pin 1 |
| X32K_Q2 | 5 | Analog I/O | 32-kHz crystal oscillator pin 2 |
| X24M_N | 30 | Analog I/O | 24-MHz crystal oscillator pin 1 |
| X24M_P | 31 | Analog I/O | 24-MHz crystal oscillator pin 2 |
| EGP | | Power | Ground – Exposed Ground Pad |

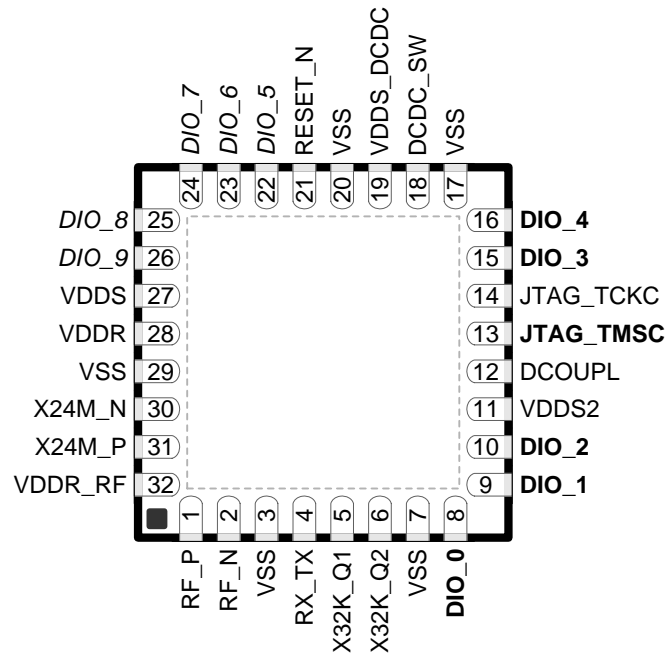
(1) See technical reference manual (listed in [§ 8.3](#)) for more details.

(2) Do not supply external circuitry from this pin.

(3) If internal DC-DC is not used, this pin is supplied internally from the main LDO.

(4) If internal DC-DC is not used, this pin must be connected to VDDR for supply from the main LDO.

4.5 Pin Diagram – RSM Package



**Figure 4-3. RSM Package
32-Pin VQFN
(4-mm x 4-mm) Pinout, 0.4-mm Pitch**

I/O pins marked in [Figure 4-3](#) in **bold** have high-drive capabilities; they are as follows:

- Pin 8, **DIO_0**
- Pin 9, **DIO_1**
- Pin 10, **DIO_2**
- Pin 13, **JTAG_TM_S_C**
- Pin 15, **DIO_3**
- Pin 16, **DIO_4**

I/O pins marked in [Figure 4-3](#) in *italics* have analog capabilities; they are as follows:

- Pin 22, *DIO_5*
- Pin 23, *DIO_6*
- Pin 24, *DIO_7*
- Pin 25, *DIO_8*
- Pin 26, *DIO_9*

4.6 Signal Descriptions – RSM Package

Table 4-3. Signal Descriptions – RSM Package

| NAME | NO. | TYPE | DESCRIPTION |
|-----------|------------------|--------------------|--|
| DCDC_SW | 18 | Power | Output from internal DC-DC. ⁽¹⁾ Tie to ground for external regulator mode (1.7-V to 1.95-V operation) |
| DCOUP_L | 12 | Power | 1.27-V regulated digital-supply decoupling capacitor ⁽²⁾ |
| DIO_0 | 8 | Digital I/O | GPIO, Sensor Controller, high-drive capability |
| DIO_1 | 9 | Digital I/O | GPIO, Sensor Controller, high-drive capability |
| DIO_2 | 10 | Digital I/O | GPIO, Sensor Controller, high-drive capability |
| DIO_3 | 15 | Digital I/O | GPIO, High-drive capability, JTAG_TDO |
| DIO_4 | 16 | Digital I/O | GPIO, High-drive capability, JTAG_TDI |
| DIO_5 | 22 | Digital/Analog I/O | GPIO, Sensor Controller, Analog |
| DIO_6 | 23 | Digital/Analog I/O | GPIO, Sensor Controller, Analog |
| DIO_7 | 24 | Digital/Analog I/O | GPIO, Sensor Controller, Analog |
| DIO_8 | 25 | Digital/Analog I/O | GPIO, Sensor Controller, Analog |
| DIO_9 | 26 | Digital/Analog I/O | GPIO, Sensor Controller, Analog |
| JTAG_TMSC | 13 | Digital I/O | JTAG TMS |
| JTAG_TCKC | 14 | Digital I/O | JTAG TCK |
| RESET_N | 21 | Digital Input | Reset, active-low. No internal pullup. |
| RF_N | 2 | RF I/O | Negative RF input signal to LNA during RX Negative RF output signal to PA during TX |
| RF_P | 1 | RF I/O | Positive RF input signal to LNA during RX Positive RF output signal to PA during TX |
| RX_TX | 4 | RF I/O | Optional bias pin for the RF LNA |
| VDDR | 28 | Power | 1.7-V to 1.95-V supply, typically connect to output of internal DC-DC. ⁽²⁾⁽³⁾ |
| VDDR_RF | 32 | Power | 1.7-V to 1.95-V supply, typically connect to output of internal DC-DC. ⁽²⁾⁽⁴⁾ |
| VDDS | 27 | Power | 1.8-V to 3.8-V main chip supply ⁽¹⁾ |
| VDDS2 | 11 | Power | 1.8-V to 3.8-V GPIO supply ⁽¹⁾ |
| VDDS_DCDC | 19 | Power | 1.8-V to 3.8-V DC-DC supply. Tie to ground for external regulator mode (1.7-V to 1.95-V operation). |
| VSS | 3, 7, 17, 20, 29 | Power | Ground |
| X32K_Q1 | 5 | Analog I/O | 32-kHz crystal oscillator pin 1 |
| X32K_Q2 | 6 | Analog I/O | 32-kHz crystal oscillator pin 2 |
| X24M_N | 30 | Analog I/O | 24-MHz crystal oscillator pin 1 |
| X24M_P | 31 | Analog I/O | 24-MHz crystal oscillator pin 2 |
| EGP | | Power | Ground – Exposed Ground Pad |

- (1) See technical reference manual (listed in [§ 8.3](#)) for more details.
(2) Do not supply external circuitry from this pin.
(3) If internal DC-DC is not used, this pin is supplied internally from the main LDO.
(4) If internal DC-DC is not used, this pin must be connected to VDDR for supply from the main LDO.

5 Specifications

5.1 Absolute Maximum Ratings

over operating free-air temperature range (unless otherwise noted)⁽¹⁾⁽²⁾

| | | MIN | MAX | UNIT |
|---|---|------|----------------------|------|
| Supply voltage (VDD5, VDD52, and VDD53) | VDDR supplied by internal DC-DC regulator or internal GLDO. VDD5_DCDC connected to VDD5 on PCB. | −0.3 | 4.1 | V |
| Supply voltage (VDD5 ⁽³⁾ and VDDR) | External regulator mode (VDD5 and VDDR pins connected on PCB) | −0.3 | 2.25 | V |
| Voltage on any digital pin ⁽⁴⁾⁽⁵⁾ | | −0.3 | VDD5x + 0.3, max 4.1 | V |
| Voltage on crystal oscillator pins, X32K_Q1, X32K_Q2, X24M_N and X24M_P | | −0.3 | VDDR + 0.3, max 2.25 | V |
| Voltage on ADC input (V _{in}) | Voltage scaling enabled | −0.3 | VDD5 | V |
| | Voltage scaling disabled, internal reference | −0.3 | 1.49 | |
| | Voltage scaling disabled, VDD5 as reference | −0.3 | VDD5 / 2.9 | |
| Input RF level | | | 5 | dBm |
| T _{stg} | Storage temperature | −40 | 150 | °C |

(1) All voltage values are with respect to ground, unless otherwise noted.

(2) Stresses beyond those listed under *Absolute Maximum Ratings* may cause permanent damage to the device. These are stress ratings only, and functional operation of the device at these or any other conditions beyond those indicated under *Recommended Operating Conditions* is not implied. Exposure to absolute-maximum-rated conditions for extended periods may affect device reliability.

(3) In external regulator mode, VDD52 and VDD53 must be at the same potential as VDD5.

(4) Including analog-capable DIO.

(5) Each pin is referenced to a specific VDD5x (VDD5, VDD52 or VDD53). For a pin-to-VDD5 mapping table, see [Table 6-3](#).

5.2 ESD Ratings

| | | | VALUE | UNIT | |
|------------------|-------------------------|--|-------------|-------|---|
| V _{ESD} | Electrostatic discharge | Human body model (HBM), per ANSI/ESDA/JEDEC JS001 ⁽¹⁾ | All pins | ±2500 | V |
| | | Charged device model (CDM), per JESD22-C101 ⁽²⁾ | RF pins | ±750 | |
| | | | Non-RF pins | ±750 | |

(1) JEDEC document JEP155 states that 500-V HBM allows safe manufacturing with a standard ESD control process.

(2) JEDEC document JEP157 states that 250-V CDM allows safe manufacturing with a standard ESD control process.

5.3 Recommended Operating Conditions

over operating free-air temperature range (unless otherwise noted)

| | | MIN | MAX | UNIT | |
|---|---|--------------|------|------|---|
| Ambient temperature | | −40 | 85 | °C | |
| Operating supply voltage (VDD5 and VDDR), external regulator mode | For operation in 1.8-V systems (VDD5 and VDDR pins connected on PCB, internal DC-DC cannot be used) | 1.7 | 1.95 | V | |
| Operating supply voltage VDD5 | For operation in battery-powered and 3.3-V systems (internal DC-DC can be used to minimize power consumption) | 1.8 | 3.8 | V | |
| Operating supply voltages VDD52 and VDD53 | | VDD5 < 2.7 V | 1.8 | 3.8 | V |
| Operating supply voltages VDD52 and VDD53 | | VDD5 ≥ 2.7 V | 1.9 | 3.8 | V |

5.4 Power Consumption Summary

Measured on the TI CC2650EM-5XD reference design with $T_c = 25^\circ\text{C}$, $V_{\text{DD5}} = 3.0\text{ V}$ with internal DC-DC converter, unless otherwise noted.

| PARAMETER | | TEST CONDITIONS | MIN | TYP | MAX | UNIT | |
|---|--------------------------|---|-----|-----|--|---------------|---------------|
| I_{core} | Core current consumption | Reset. RESET_N pin asserted or VDD5 below Power-on-Reset threshold | | 100 | | nA | |
| | | Shutdown. No clocks running, no retention | | 150 | | | |
| | | Standby. With RTC, CPU, RAM and (partial) register retention. RCOSC_LF | | | 1.1 | | μA |
| | | Standby. With RTC, CPU, RAM and (partial) register retention. XOSC_LF | | | 1.3 | | |
| | | Standby. With Cache, RTC, CPU, RAM and (partial) register retention. RCOSC_LF | | | 2.8 | | |
| | | Standby. With Cache, RTC, CPU, RAM and (partial) register retention. XOSC_LF | | | 3.0 | | |
| | | Idle. Supply Systems and RAM powered. | | | 550 | | |
| | | Active. Core running CoreMark | | | 1.45 mA + 31 $\mu\text{A}/\text{MHz}$ | | |
| | | Radio RX ⁽¹⁾ | | | 5.9 | | mA |
| | | Radio RX ⁽²⁾ | | | 6.1 | | |
| | | Radio TX, 0-dBm output power ⁽¹⁾ | | | 6.1 | | |
| | | Radio TX, 5-dBm output power ⁽²⁾ | | | 9.1 | | |
| Peripheral Current Consumption (Adds to core current I_{core} for each peripheral unit activated) ⁽³⁾ | | | | | | | |
| I_{peri} | Peripheral power domain | Delta current with domain enabled | | 20 | | μA | |
| | Serial power domain | Delta current with domain enabled | | 13 | | μA | |
| | RF Core | Delta current with power domain enabled, clock enabled, RF core idle | | 237 | | μA | |
| | μDMA | Delta current with clock enabled, module idle | | 130 | | μA | |
| | Timers | Delta current with clock enabled, module idle | | 113 | | μA | |
| | I ² C | Delta current with clock enabled, module idle | | 12 | | μA | |
| | I2S | Delta current with clock enabled, module idle | | 36 | | μA | |
| | SSI | Delta current with clock enabled, module idle | | 93 | | μA | |
| | UART | Delta current with clock enabled, module idle | | 164 | | μA | |

(1) Single-ended RF mode is optimized for size and power consumption. Measured on CC2650EM-4XS.

(2) Differential RF mode is optimized for RF performance. Measured on CC2650EM-5XD.

(3) I_{peri} is not supported in Standby or Shutdown.

5.5 General Characteristics

Measured on the TI CC2650EM-5XD reference design with $T_c = 25^\circ\text{C}$, $V_{\text{DD5}} = 3.0\text{ V}$, unless otherwise noted.

| PARAMETER | TEST CONDITIONS | MIN | TYP | MAX | UNIT |
|---|--|-----|------|-----|---------------|
| FLASH MEMORY | | | | | |
| Supported flash erase cycles before failure | | 100 | | | k Cycles |
| Flash page/sector erase current | Average delta current | | 12.6 | | mA |
| Flash page/sector size | | | 4 | | KB |
| Flash write current | Average delta current, 4 bytes at a time | | 8.15 | | mA |
| Flash page/sector erase time ⁽¹⁾ | | | 8 | | ms |
| Flash write time ⁽¹⁾ | 4 bytes at a time | | 8 | | μs |

(1) This number is dependent on Flash aging and will increase over time and erase cycles.

5.6 IEEE 802.15.4 (Offset Q-PSK DSSS, 250 kbps) – RX

Measured on the TI CC2650EM-5XD reference design with $T_c = 25^\circ\text{C}$, $V_{\text{DDS}} = 3.0\text{ V}$, unless otherwise noted.

| PARAMETER | TEST CONDITIONS | MIN | TYP | MAX | UNIT |
|--|--|-----|---------|-----|------|
| Receiver sensitivity | Differential mode. Measured at the CC2650EM-5XD SMA connector, PER = 1% | | -100 | | dBm |
| Receiver sensitivity | Single-ended mode. Measured on CC2650EM-4XS, at the SMA connector, PER = 1% | | -97 | | dBm |
| Receiver saturation | Measured at the CC2650EM-5XD SMA connector, PER = 1% | | +4 | | dBm |
| Adjacent channel rejection | Wanted signal at -82 dBm, modulated interferer at $\pm 5\text{ MHz}$, PER = 1% | | 39 | | dB |
| Alternate channel rejection | Wanted signal at -82 dBm, modulated interferer at $\pm 10\text{ MHz}$, PER = 1% | | 52 | | dB |
| Channel rejection, $\pm 15\text{ MHz}$ or more | Wanted signal at -82 dBm, undesired signal is IEEE 802.15.4 modulated channel, stepped through all channels 2405 to 2480 MHz, PER = 1% | | 57 | | dB |
| Blocking and desensitization, 5 MHz from upper band edge | Wanted signal at -97 dBm (3 dB above the sensitivity level), CW jammer, PER = 1% | | 64 | | dB |
| Blocking and desensitization, 10 MHz from upper band edge | Wanted signal at -97 dBm (3 dB above the sensitivity level), CW jammer, PER = 1% | | 64 | | dB |
| Blocking and desensitization, 20 MHz from upper band edge | Wanted signal at -97 dBm (3 dB above the sensitivity level), CW jammer, PER = 1% | | 65 | | dB |
| Blocking and desensitization, 50 MHz from upper band edge | Wanted signal at -97 dBm (3 dB above the sensitivity level), CW jammer, PER = 1% | | 68 | | dB |
| Blocking and desensitization, -5 MHz from lower band edge | Wanted signal at -97 dBm (3 dB above the sensitivity level), CW jammer, PER = 1% | | 63 | | dB |
| Blocking and desensitization, -10 MHz from lower band edge | Wanted signal at -97 dBm (3 dB above the sensitivity level), CW jammer, PER = 1% | | 63 | | dB |
| Blocking and desensitization, -20 MHz from lower band edge | Wanted signal at -97 dBm (3 dB above the sensitivity level), CW jammer, PER = 1% | | 65 | | dB |
| Blocking and desensitization, -50 MHz from lower band edge | Wanted signal at -97 dBm (3 dB above the sensitivity level), CW jammer, PER = 1% | | 67 | | dB |
| Spurious emissions, 30 MHz to 1000 MHz | Conducted measurement in a 50- Ω single-ended load. Suitable for systems targeting compliance with EN 300 328, EN 300 440 class 2, FCC CFR47, Part 15 and ARIB STD-T-66 | | -71 | | dBm |
| Spurious emissions, 1 GHz to 12.75 GHz | Conducted measurement in a 50 Ω single-ended load. Suitable for systems targeting compliance with EN 300 328, EN 300 440 class 2, FCC CFR47, Part 15 and ARIB STD-T-66 | | -62 | | dBm |
| Frequency error tolerance | Difference between the incoming carrier frequency and the internally generated carrier frequency | | >200 | | ppm |
| Symbol rate error tolerance | Difference between incoming symbol rate and the internally generated symbol rate | | >1000 | | ppm |
| RSSI dynamic range | | | 100 | | dB |
| RSSI accuracy | | | ± 4 | | dB |

5.7 IEEE 802.15.4 (Offset Q-PSK DSSS, 250 kbps) – TX

Measured on the TI CC2650EM-5XD reference design with $T_c = 25^\circ\text{C}$, $V_{\text{DDS}} = 3.0\text{ V}$, unless otherwise noted.

| PARAMETER | TEST CONDITIONS | MIN | TYP | MAX | UNIT |
|-------------------------------|---|-----|-----|-----|------|
| Output power, highest setting | Delivered to a single-ended 50- Ω load through a balun | | 5 | | dBm |
| Output power, highest setting | Measured on CC2650EM-4XS, delivered to a single-ended 50- Ω load | | 2 | | dBm |
| Output power, lowest setting | Delivered to a single-ended 50- Ω load through a balun | | -21 | | dBm |
| Error vector magnitude | At maximum output power | | 2% | | |

IEEE 802.15.4 (Offset Q-PSK DSSS, 250 kbps) – TX (continued)

Measured on the TI CC2650EM-5XD reference design with $T_c = 25^\circ\text{C}$, $V_{\text{DDS}} = 3.0\text{ V}$, unless otherwise noted.

| PARAMETER | TEST CONDITIONS | MIN | TYP | MAX | UNIT |
|---|--|-----|-----|-----|------|
| Spurious emission conducted measurement | f < 1 GHz, outside restricted bands | | -43 | | dBm |
| | f < 1 GHz, restricted bands ETSI | | -65 | | |
| | f < 1 GHz, restricted bands FCC | | -76 | | |
| | f > 1 GHz, including harmonics | | -46 | | |
| | Suitable for systems targeting compliance with worldwide radio-frequency regulations ETSI EN 300 328 and EN 300 440 Class 2 (Europe), FCC CFR47 Part 15 (US), and ARIB STD-T66 (Japan) | | | | |

5.8 24-MHz Crystal Oscillator (XOSC_HF)

$T_c = 25^\circ\text{C}$, $V_{\text{DDS}} = 3.0\text{ V}$, unless otherwise noted.⁽¹⁾

| PARAMETER | TEST CONDITIONS | MIN | TYP | MAX | UNIT |
|---|--|-----|---------------------------------|-----|---------------|
| ESR Equivalent series resistance ⁽²⁾ | $6\text{ pF} < C_L \leq 9\text{ pF}$ | | 20 | 60 | Ω |
| ESR Equivalent series resistance ⁽²⁾ | $5\text{ pF} < C_L \leq 6\text{ pF}$ | | | 80 | Ω |
| L_M Motional inductance ⁽²⁾ | Relates to load capacitance (C_L in Farads) | | $< 1.6 \times 10^{-24} / C_L^2$ | | H |
| C_L Crystal load capacitance ⁽²⁾ | | 5 | | 9 | pF |
| Crystal frequency ⁽²⁾⁽³⁾ | | | 24 | | MHz |
| Crystal frequency tolerance ⁽²⁾⁽⁴⁾ | | -40 | | 40 | ppm |
| Start-up time ⁽³⁾⁽⁵⁾ | | | 150 | | μs |

(1) Probing or otherwise stopping the XTAL while the DC-DC converter is enabled may cause permanent damage to the device.

(2) The crystal manufacturer's specification must satisfy this requirement

(3) Measured on the TI CC2650EM-5XD reference design with $T_c = 25^\circ\text{C}$, $V_{\text{DDS}} = 3.0\text{ V}$

(4) Includes initial tolerance of the crystal, drift over temperature, ageing and frequency pulling due to incorrect load capacitance. As per IEEE 802.15.4 specification.

(5) Kick-started based on a temperature and aging compensated RCOSC_HF using precharge injection.

5.9 32.768-kHz Crystal Oscillator (XOSC_LF)

$T_c = 25^\circ\text{C}$, $V_{\text{DDS}} = 3.0\text{ V}$, unless otherwise noted.

| PARAMETER | TEST CONDITIONS | MIN | TYP | MAX | UNIT |
|---|-----------------|-----|--------|-----|------------|
| Crystal frequency ⁽¹⁾ | | | 32.768 | | kHz |
| ESR Equivalent series resistance ⁽¹⁾ | | | 30 | 100 | k Ω |
| C_L Crystal load capacitance ⁽¹⁾ | | 6 | | 12 | pF |

(1) The crystal manufacturer's specification must satisfy this requirement

5.10 48-MHz RC Oscillator (RCOSC_HF)

Measured on the TI CC2650EM-5XD reference design with $T_c = 25^\circ\text{C}$, $V_{\text{DDS}} = 3.0\text{ V}$, unless otherwise noted.

| PARAMETER | TEST CONDITIONS | MIN | TYP | MAX | UNIT |
|--|-----------------|-----|--------------|-----|---------------|
| Frequency | | | 48 | | MHz |
| Uncalibrated frequency accuracy | | | $\pm 1\%$ | | |
| Calibrated frequency accuracy ⁽¹⁾ | | | $\pm 0.25\%$ | | |
| Start-up time | | | 5 | | μs |

(1) Accuracy relative to the calibration source (XOSC_HF).

5.11 32-kHz RC Oscillator (RCOSC_LF)

Measured on the TI CC2650EM-5XD reference design with $T_c = 25^\circ\text{C}$, $V_{\text{DDS}} = 3.0\text{ V}$, unless otherwise noted.

| PARAMETER | TEST CONDITIONS | MIN | TYP | MAX | UNIT |
|-------------------------------------|-----------------|-----|------|-----|-----------------------|
| Calibrated frequency ⁽¹⁾ | | | 32.8 | | kHz |
| Temperature coefficient | | | 50 | | ppm/ $^\circ\text{C}$ |

(1) The frequency accuracy of the Real Time Clock (RTC) is not directly dependent on the frequency accuracy of the 32-kHz RC Oscillator. The RTC can be calibrated to an accuracy within ± 500 ppm of 32.768 kHz by measuring the frequency error of RCOSC_LF relative to XOSC_HF and compensating the RTC tick speed. The procedure is explained in [Running Bluetooth® Low Energy on CC2640 Without 32 kHz Crystal](#).

5.12 ADC Characteristics

$T_c = 25^\circ\text{C}$, $V_{\text{DDS}} = 3.0\text{ V}$ and voltage scaling enabled, unless otherwise noted.⁽¹⁾

| PARAMETER | TEST CONDITIONS | MIN | TYP | MAX | UNIT |
|--|--|-----|---------|------------------|------|
| Input voltage range | | 0 | | V _{DDS} | V |
| Resolution | | | 12 | | Bits |
| Sample rate | | | | 200 | ksps |
| Offset | Internal 4.3-V equivalent reference ⁽²⁾ | | 2 | | LSB |
| Gain error | Internal 4.3-V equivalent reference ⁽²⁾ | | 2.4 | | LSB |
| DNL ⁽³⁾ Differential nonlinearity | | | > -1 | | LSB |
| INL ⁽⁴⁾ Integral nonlinearity | | | ± 3 | | LSB |
| ENOB Effective number of bits | Internal 4.3-V equivalent reference ⁽²⁾ , 200 ksps, 9.6-kHz input tone | | 9.8 | | Bits |
| | V _{DDS} as reference, 200 ksps, 9.6-kHz input tone | | 10 | | |
| | Internal 1.44-V reference, voltage scaling disabled, 32 samples average, 200 ksps, 300-Hz input tone | | 11.1 | | |
| THD Total harmonic distortion | Internal 4.3-V equivalent reference ⁽²⁾ , 200 ksps, 9.6-kHz input tone | | -65 | | dB |
| | V _{DDS} as reference, 200 ksps, 9.6-kHz input tone | | -69 | | |
| | Internal 1.44-V reference, voltage scaling disabled, 32 samples average, 200 ksps, 300-Hz input tone | | -71 | | |
| SINAD, SNDR Signal-to-noise and Distortion ratio | Internal 4.3-V equivalent reference ⁽²⁾ , 200 ksps, 9.6-kHz input tone | | 60 | | dB |
| | V _{DDS} as reference, 200 ksps, 9.6-kHz input tone | | 63 | | |
| | Internal 1.44-V reference, voltage scaling disabled, 32 samples average, 200 ksps, 300-Hz input tone | | 69 | | |
| SFDR Spurious-free dynamic range | Internal 4.3-V equivalent reference ⁽²⁾ , 200 ksps, 9.6-kHz input tone | | 67 | | dB |
| | V _{DDS} as reference, 200 ksps, 9.6-kHz input tone | | 72 | | |
| | Internal 1.44-V reference, voltage scaling disabled, 32 samples average, 200 ksps, 300-Hz input tone | | 73 | | |

(1) Using IEEE Std 1241™-2010 for terminology and test methods.

(2) Input signal scaled down internally before conversion, as if voltage range was 0 to 4.3 V.

(3) No missing codes. Positive DNL typically varies from +0.3 to +3.5, depending on device (see [Figure 5-21](#)).

(4) For a typical example, see [Figure 5-22](#).

ADC Characteristics (continued)

$T_c = 25^\circ\text{C}$, $V_{\text{DDS}} = 3.0\text{ V}$ and voltage scaling enabled, unless otherwise noted.⁽¹⁾

| PARAMETER | TEST CONDITIONS | MIN | TYP | MAX | UNIT |
|---------------------|---|-----|-------------------------------|-----|--------------|
| Conversion time | Serial conversion, time-to-output, 24-MHz clock | | 50 | | clock-cycles |
| Current consumption | Internal 4.3-V equivalent reference ⁽²⁾ | | 0.66 | | mA |
| Current consumption | V _{DDS} as reference | | 0.75 | | mA |
| Reference voltage | Equivalent fixed internal reference (input voltage scaling enabled). For best accuracy, the ADC conversion should be initiated through the TIRTOS API in order to include the gain/offset compensation factors stored in FCFG1. | | 4.3 ⁽²⁾⁽⁵⁾ | | V |
| Reference voltage | Fixed internal reference (input voltage scaling disabled). For best accuracy, the ADC conversion should be initiated through the TIRTOS API in order to include the gain/offset compensation factors stored in FCFG1. This value is derived from the scaled value (4.3 V) as follows: $V_{\text{ref}} = 4.3\text{ V} \times 1408 / 4095$ | | 1.48 | | V |
| Reference voltage | V _{DDS} as reference (Also known as <i>RELATIVE</i>) (input voltage scaling enabled) | | V _{DDS} | | V |
| Reference voltage | V _{DDS} as reference (Also known as <i>RELATIVE</i>) (input voltage scaling disabled) | | $V_{\text{DDS}} / 2.82^{(5)}$ | | V |
| Input impedance | 200 ksps, voltage scaling enabled. Capacitive input. Input impedance depends on sampling frequency and sampling time | | >1 | | M Ω |

(5) Applied voltage must be within absolute maximum ratings (Section 5.1) at all times.

5.13 Temperature Sensor

Measured on the TI CC2650EM-5XD reference design with $T_c = 25^\circ\text{C}$, $V_{\text{DDS}} = 3.0\text{ V}$, unless otherwise noted.

| PARAMETER | TEST CONDITIONS | MIN | TYP | MAX | UNIT |
|---|-----------------|-----|---------|-----|---------------------------|
| Resolution | | | 4 | | $^\circ\text{C}$ |
| Range | | -40 | | 85 | $^\circ\text{C}$ |
| Accuracy | | | ± 5 | | $^\circ\text{C}$ |
| Supply voltage coefficient ⁽¹⁾ | | | 3.2 | | $^\circ\text{C}/\text{V}$ |

(1) Automatically compensated when using supplied driver libraries.

5.14 Battery Monitor

Measured on the TI CC2650EM-5XD reference design with $T_c = 25^\circ\text{C}$, $V_{\text{DDS}} = 3.0\text{ V}$, unless otherwise noted.

| PARAMETER | TEST CONDITIONS | MIN | TYP | MAX | UNIT |
|------------|-----------------|-----|-----|-----|------|
| Resolution | | | 50 | | mV |
| Range | | 1.8 | | 3.8 | V |
| Accuracy | | | 13 | | mV |

5.15 Continuous Time Comparator

$T_c = 25^\circ\text{C}$, $V_{\text{DDS}} = 3.0\text{ V}$, unless otherwise noted.

| PARAMETER | TEST CONDITIONS | MIN | TYP | MAX | UNIT |
|---|---------------------------|-----|------|------------------|---------------|
| Input voltage range | | 0 | | V _{DDS} | V |
| External reference voltage | | 0 | | V _{DDS} | V |
| Internal reference voltage | DCOUPPL as reference | | 1.27 | | V |
| Offset | | | 3 | | mV |
| Hysteresis | | | <2 | | mV |
| Decision time | Step from -10 mV to 10 mV | | 0.72 | | μs |
| Current consumption when enabled ⁽¹⁾ | | | 8.6 | | μA |

(1) Additionally, the bias module must be enabled when running in standby mode.

5.16 Low-Power Clocked Comparator

 $T_c = 25^\circ\text{C}$, $V_{\text{DDS}} = 3.0\text{ V}$, unless otherwise noted.

| PARAMETER | TEST CONDITIONS | MIN | TYP | MAX | UNIT |
|--|---------------------------|-----|-----------|------------------|-------------|
| Input voltage range | | 0 | | V _{DDS} | V |
| Clock frequency | | | 32 | | kHz |
| Internal reference voltage, V _{DDS} / 2 | | | 1.49–1.51 | | V |
| Internal reference voltage, V _{DDS} / 3 | | | 1.01–1.03 | | V |
| Internal reference voltage, V _{DDS} / 4 | | | 0.78–0.79 | | V |
| Internal reference voltage, DCOUPL / 1 | | | 1.25–1.28 | | V |
| Internal reference voltage, DCOUPL / 2 | | | 0.63–0.65 | | V |
| Internal reference voltage, DCOUPL / 3 | | | 0.42–0.44 | | V |
| Internal reference voltage, DCOUPL / 4 | | | 0.33–0.34 | | V |
| Offset | | | <2 | | mV |
| Hysteresis | | | <5 | | mV |
| Decision time | Step from –50 mV to 50 mV | | <1 | | clock-cycle |
| Current consumption when enabled | | | 362 | | nA |

5.17 Programmable Current Source

 $T_c = 25^\circ\text{C}$, $V_{\text{DDS}} = 3.0\text{ V}$, unless otherwise noted.

| PARAMETER | TEST CONDITIONS | MIN | TYP | MAX | UNIT |
|--|---|-----|---------|-----|------|
| Current source programmable output range | | | 0.25–20 | | μA |
| Resolution | | | 0.25 | | μA |
| Current consumption ⁽¹⁾ | Including current source at maximum programmable output | | 23 | | μA |

(1) Additionally, the bias module must be enabled when running in standby mode.

5.18 Synchronous Serial Interface (SSI)

 $T_c = 25^\circ\text{C}$, $V_{\text{DDS}} = 3.0\text{ V}$, unless otherwise noted.

| PARAMETER | TEST CONDITIONS | MIN | TYP | MAX | UNIT |
|---|---|-----|-----|-------|-----------------------|
| S1 ⁽¹⁾ $t_{\text{clk_per}}$ (SSIClk period) | Device operating as SLAVE | 12 | | 65024 | system clocks |
| S2 ⁽¹⁾ $t_{\text{clk_high}}$ (SSIClk high time) | Device operating as SLAVE | | 0.5 | | $t_{\text{clk_per}}$ |
| S3 ⁽¹⁾ $t_{\text{clk_low}}$ (SSIClk low time) | Device operating as SLAVE | | 0.5 | | $t_{\text{clk_per}}$ |
| S1 (TX only) ⁽¹⁾ $t_{\text{clk_per}}$ (SSIClk period) | One-way communication to SLAVE - Device operating as MASTER | 4 | | 65024 | system clocks |
| S1 (TX and RX) ⁽¹⁾ $t_{\text{clk_per}}$ (SSIClk period) | Normal duplex operation - Device operating as MASTER | 8 | | 65024 | system clocks |
| S2 ⁽¹⁾ $t_{\text{clk_high}}$ (SSIClk high time) | Device operating as MASTER | | 0.5 | | $t_{\text{clk_per}}$ |
| S3 ⁽¹⁾ $t_{\text{clk_low}}$ (SSIClk low time) | Device operating as MASTER | | 0.5 | | $t_{\text{clk_per}}$ |

(1) Refer to SSI timing diagrams [Figure 5-1](#), [Figure 5-2](#), and [Figure 5-3](#).

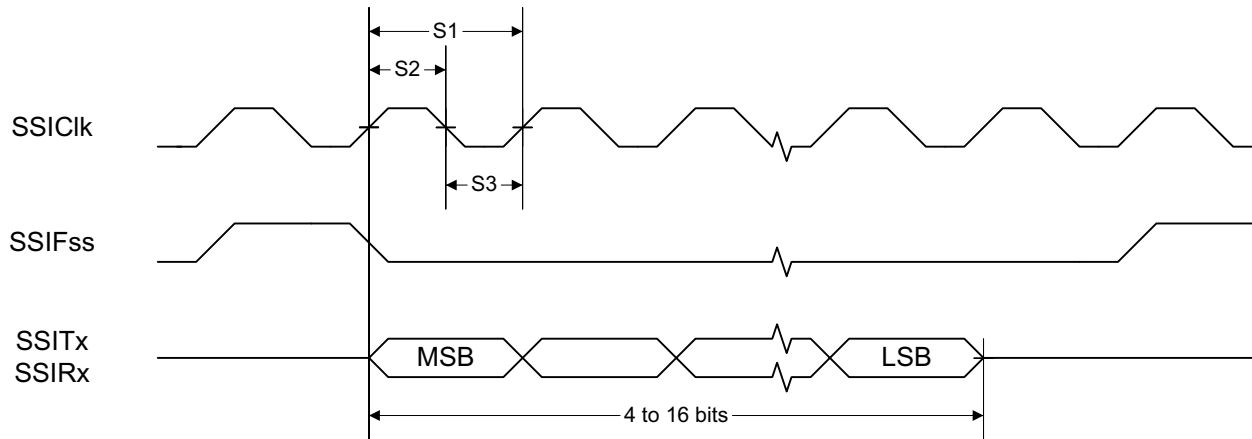


Figure 5-1. SSI Timing for TI Frame Format (FRF = 01), Single Transfer Timing Measurement

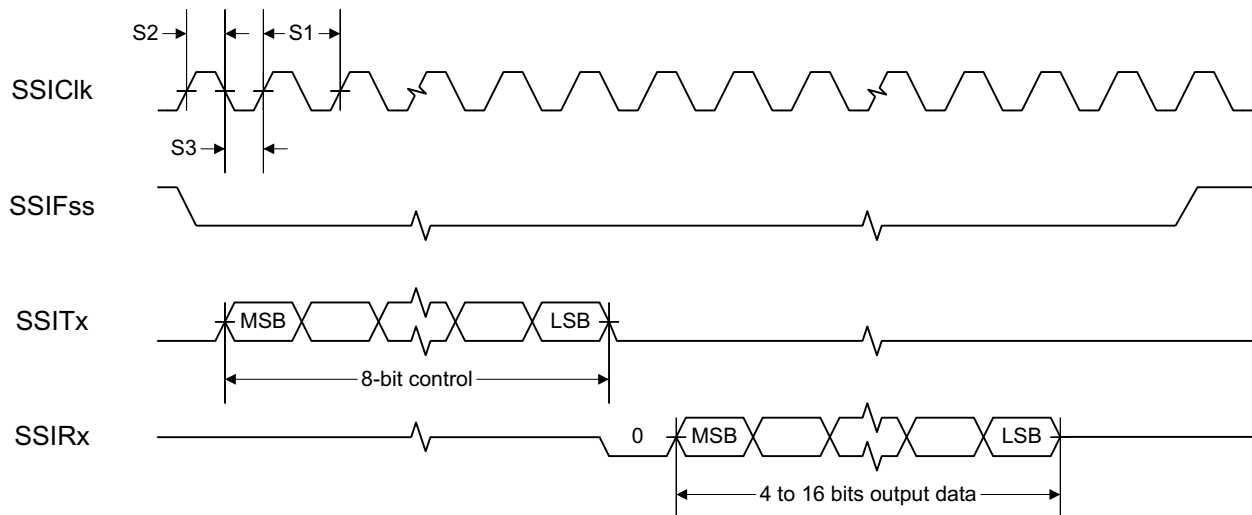


Figure 5-2. SSI Timing for MICROWIRE Frame Format (FRF = 10), Single Transfer

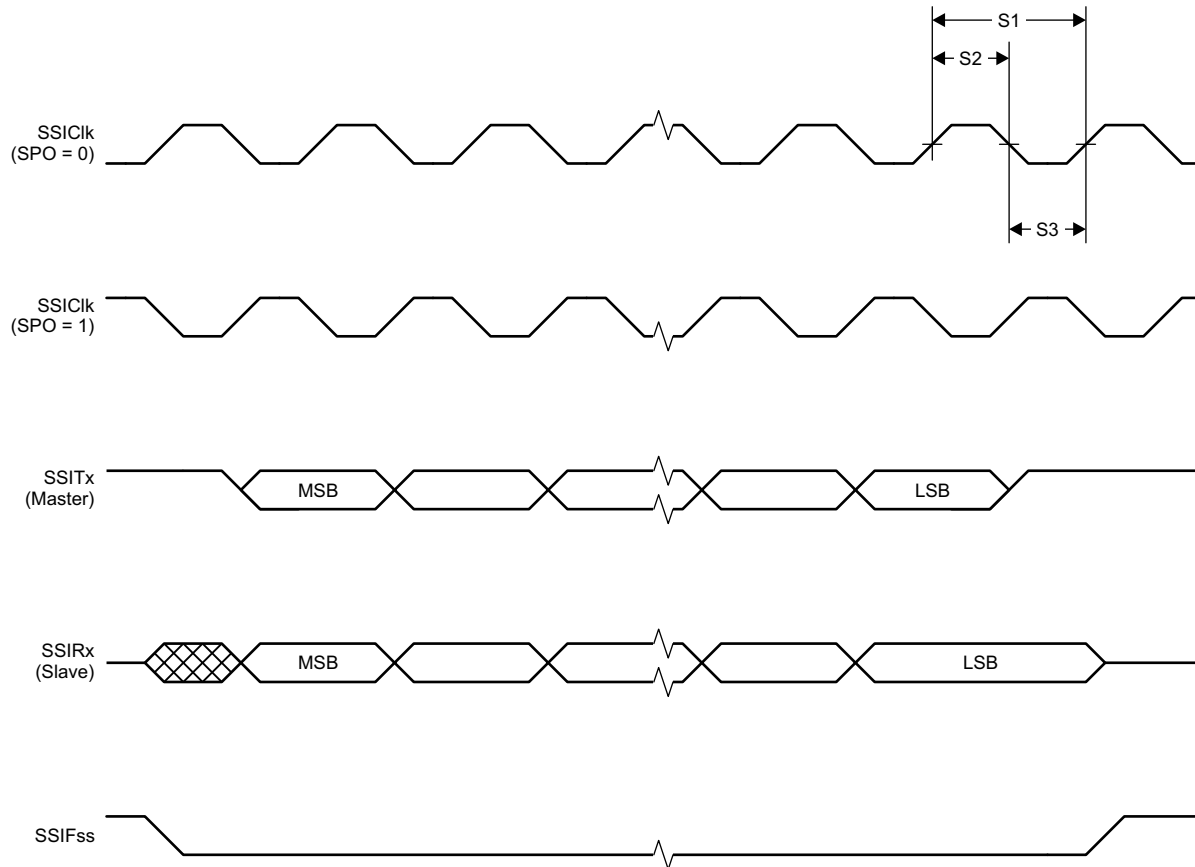


Figure 5-3. SSI Timing for SPI Frame Format (FRF = 00), With SPH = 1

5.19 DC Characteristics

| PARAMETER | TEST CONDITIONS | MIN | TYP | MAX | UNIT |
|--|---|------|------|------|------|
| T_A = 25°C, V_{DDs} = 1.8 V | | | | | |
| GPIO VOH at 8-mA load | IOCURR = 2, high-drive GPIOs only | 1.32 | 1.54 | | V |
| GPIO VOL at 8-mA load | IOCURR = 2, high-drive GPIOs only | | 0.26 | 0.32 | V |
| GPIO VOH at 4-mA load | IOCURR = 1 | 1.32 | 1.58 | | V |
| GPIO VOL at 4-mA load | IOCURR = 1 | | 0.21 | 0.32 | V |
| GPIO pullup current | Input mode, pullup enabled, V _{pad} = 0 V | | 71.7 | | μA |
| GPIO pulldown current | Input mode, pulldown enabled, V _{pad} = V _{DDs} | | 21.1 | | μA |
| GPIO high/low input transition, no hysteresis | IH = 0, transition between reading 0 and reading 1 | | 0.88 | | V |
| GPIO low-to-high input transition, with hysteresis | IH = 1, transition voltage for input read as 0 → 1 | | 1.07 | | V |
| GPIO high-to-low input transition, with hysteresis | IH = 1, transition voltage for input read as 1 → 0 | | 0.74 | | V |
| GPIO input hysteresis | IH = 1, difference between 0 → 1 and 1 → 0 points | | 0.33 | | V |
| T_A = 25°C, V_{DDs} = 3.0 V | | | | | |
| GPIO VOH at 8-mA load | IOCURR = 2, high-drive GPIOs only | | 2.68 | | V |
| GPIO VOL at 8-mA load | IOCURR = 2, high-drive GPIOs only | | 0.33 | | V |
| GPIO VOH at 4-mA load | IOCURR = 1 | | 2.72 | | V |
| GPIO VOL at 4-mA load | IOCURR = 1 | | 0.28 | | V |
| T_A = 25°C, V_{DDs} = 3.8 V | | | | | |
| GPIO pullup current | Input mode, pullup enabled, V _{pad} = 0 V | | 277 | | μA |

DC Characteristics (continued)

| PARAMETER | TEST CONDITIONS | MIN | TYP | MAX | UNIT |
|--|---|-----|------|-----|---------------------------------|
| GPIO pulldown current | Input mode, pulldown enabled, V _{pad} = V _{DD5} | | 113 | | μA |
| GPIO high/low input transition, no hysteresis | I _H = 0, transition between reading 0 and reading 1 | | 1.67 | | V |
| GPIO low-to-high input transition, with hysteresis | I _H = 1, transition voltage for input read as 0 → 1 | | 1.94 | | V |
| GPIO high-to-low input transition, with hysteresis | I _H = 1, transition voltage for input read as 1 → 0 | | 1.54 | | V |
| GPIO input hysteresis | I _H = 1, difference between 0 → 1 and 1 → 0 points | | 0.4 | | V |
| T_A = 25°C | | | | | |
| V _{IH} | Lowest GPIO input voltage reliably interpreted as a «High» | | | 0.8 | V _{DD5} ⁽¹⁾ |
| V _{IL} | Highest GPIO input voltage reliably interpreted as a «Low» | 0.2 | | | V _{DD5} ⁽¹⁾ |

(1) Each GPIO is referenced to a specific V_{DD5} pin. See the technical reference manual listed in [§ 8.3](#) for more details.

5.20 Thermal Resistance Characteristics

| NAME | DESCRIPTION | RSM (°C/W) ^{(1) (2)} | RHB (°C/W) ^{(1) (2)} | RGZ (°C/W) ^{(1) (2)} |
|-----------------------|--|-------------------------------|-------------------------------|-------------------------------|
| R _{θJA} | Junction-to-ambient thermal resistance | 36.9 | 32.8 | 29.6 |
| R _{θJC(top)} | Junction-to-case (top) thermal resistance | 30.3 | 24.0 | 15.7 |
| R _{θJB} | Junction-to-board thermal resistance | 7.6 | 6.8 | 6.2 |
| Ψ _{iJT} | Junction-to-top characterization parameter | 0.4 | 0.3 | 0.3 |
| Ψ _{iJB} | Junction-to-board characterization parameter | 7.4 | 6.8 | 6.2 |
| R _{θJC(bot)} | Junction-to-case (bottom) thermal resistance | 2.1 | 1.9 | 1.9 |

(1) °C/W = degrees Celsius per watt.

(2) These values are based on a JEDEC-defined 2S2P system (with the exception of the Theta_{JC} [R_{θJC}] value, which is based on a JEDEC-defined 1S0P system) and will change based on environment as well as application. For more information, see these EIA/JEDEC standards:

- JESD51-2, *Integrated Circuits Thermal Test Method Environmental Conditions - Natural Convection (Still Air)*.
- JESD51-3, *Low Effective Thermal Conductivity Test Board for Leaded Surface Mount Packages*.
- JESD51-7, *High Effective Thermal Conductivity Test Board for Leaded Surface Mount Packages*.
- JESD51-9, *Test Boards for Area Array Surface Mount Package Thermal Measurements*.

Power dissipation of 2 W and an ambient temperature of 70°C is assumed.

5.21 Timing Requirements

| | MIN | NOM | MAX | UNIT |
|--|--|-----|-----|-------|
| Rising supply-voltage slew rate | 0 | | 100 | mV/μs |
| Falling supply-voltage slew rate | 0 | | 20 | mV/μs |
| Falling supply-voltage slew rate, with low-power flash settings ⁽¹⁾ | | | 3 | mV/μs |
| Positive temperature gradient in standby ⁽²⁾ | No limitation for negative temperature gradient, or outside standby mode | | 5 | °C/s |
| CONTROL INPUT AC CHARACTERISTICS⁽³⁾ | | | | |
| RESET_N low duration | 1 | | | μs |

- (1) For smaller coin cell batteries, with high worst-case end-of-life equivalent source resistance, a 22-μF V_{DDS} input capacitor (see [Figure 7-1](#)) must be used to ensure compliance with this slew rate.
- (2) Applications using RCOSC_LF as sleep timer must also consider the drift in frequency caused by a change in temperature (see [Section 5.11](#)).
- (3) T_A = -40°C to +85°C, V_{DDS} = 1.7 V to 3.8 V, unless otherwise noted.

5.22 Switching Characteristics

Measured on the TI CC2650EM-5XD reference design with T_c = 25°C, V_{DDS} = 3.0 V, unless otherwise noted.

| PARAMETER | TEST CONDITIONS | MIN | TYP | MAX | UNIT |
|--------------------------|-----------------|-----|------|-----|------|
| WAKEUP AND TIMING | | | | | |
| Idle → Active | | | 14 | | μs |
| Standby → Active | | | 151 | | μs |
| Shutdown → Active | | | 1015 | | μs |

5.23 Typical Characteristics

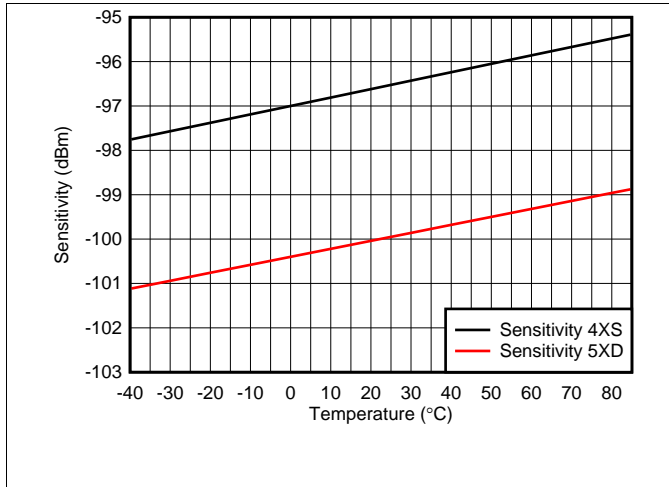


Figure 5-4. IEEE 802.15.4 Sensitivity vs Temperature

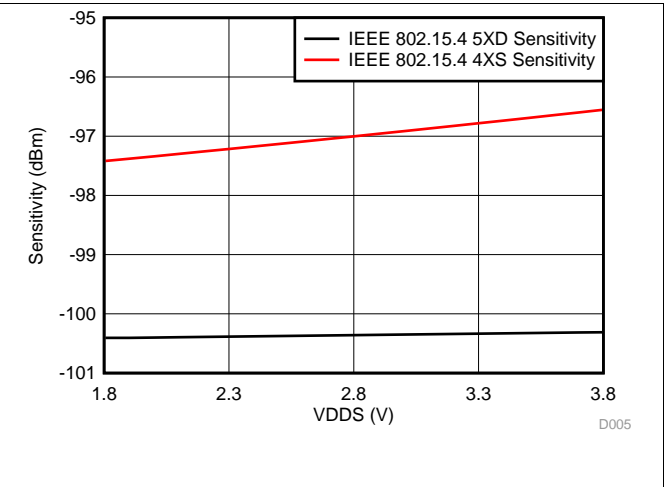


Figure 5-5. IEEE 802.15.4 Sensitivity vs Supply Voltage (VDD5)

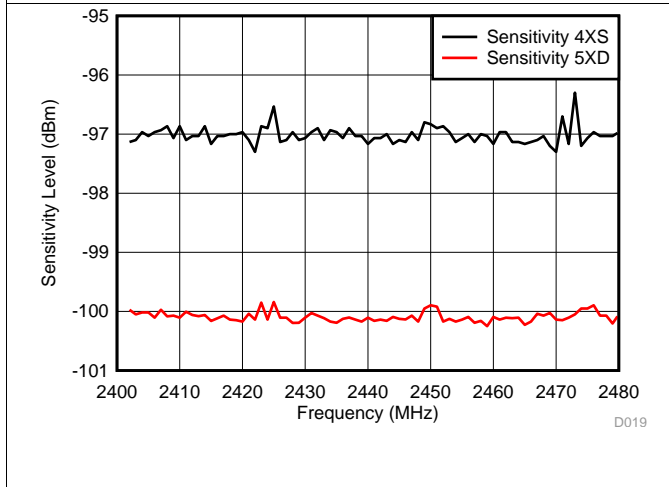


Figure 5-6. IEEE 802.15.4 Sensitivity vs Channel Frequency

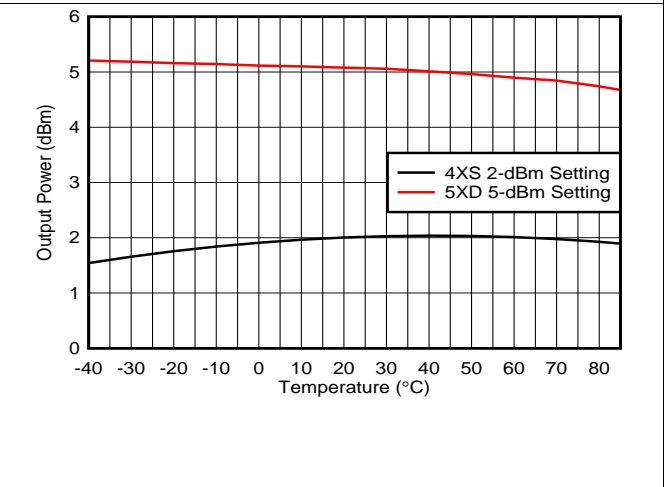


Figure 5-7. TX Output Power vs Temperature

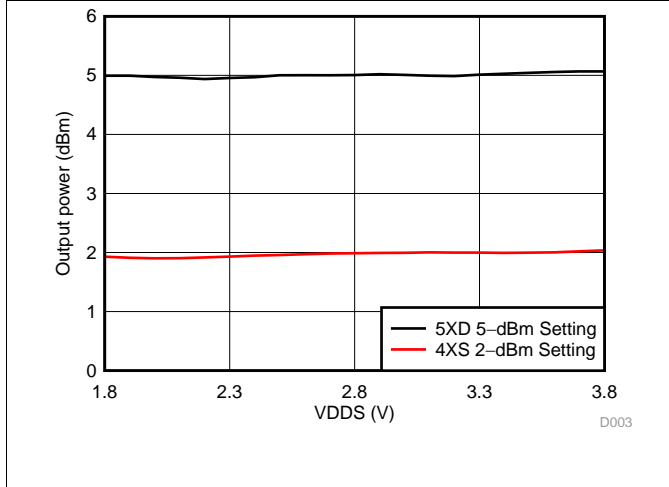


Figure 5-8. TX Output Power vs Supply Voltage (VDD5)

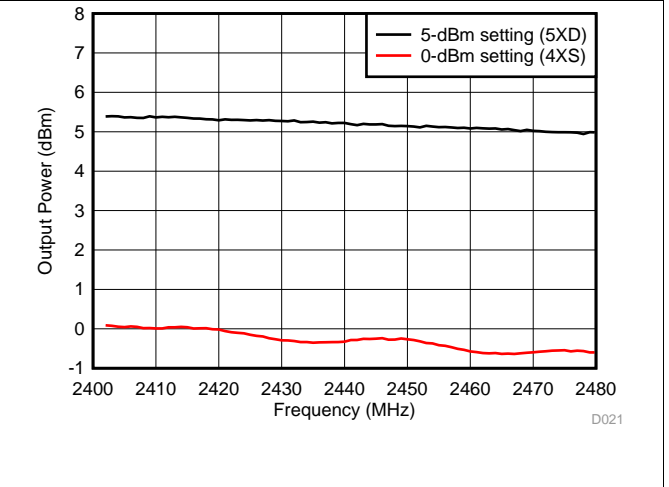


Figure 5-9. TX Output Power vs Channel Frequency

Typical Characteristics (continued)

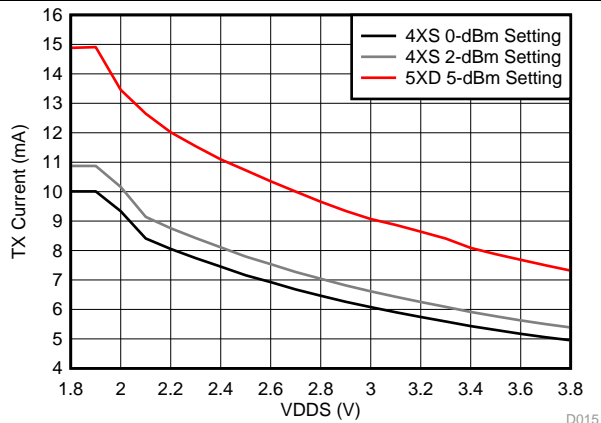


Figure 5-10. TX Current Consumption vs Supply Voltage (VDDS)

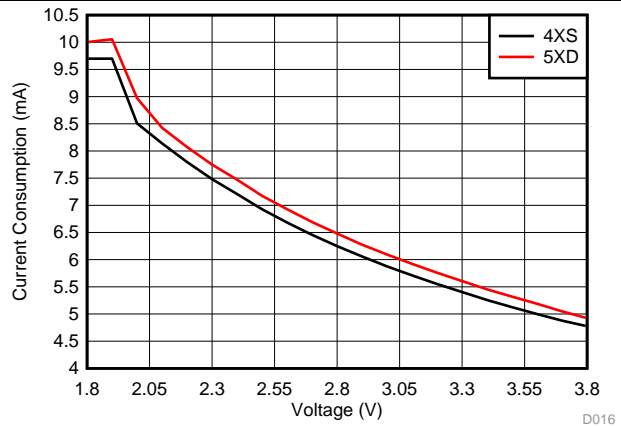


Figure 5-11. RX Mode Current vs Supply Voltage (VDDS)

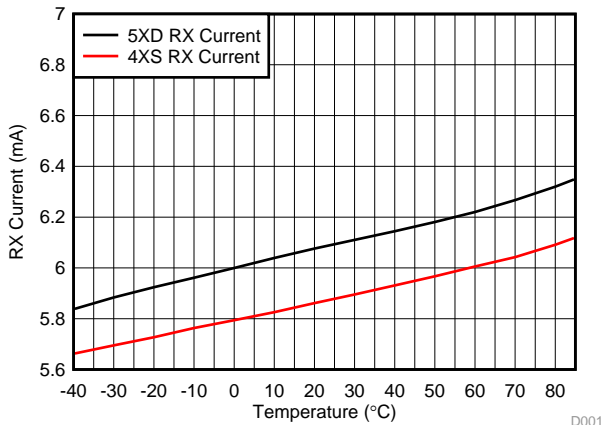


Figure 5-12. RX Mode Current Consumption vs Temperature

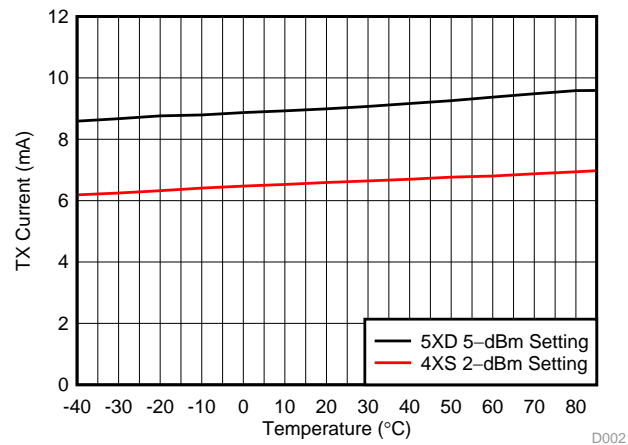


Figure 5-13. TX Mode Current Consumption vs Temperature

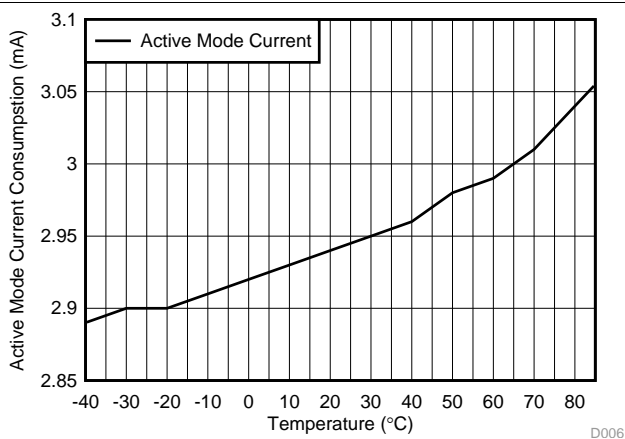


Figure 5-14. Active Mode (MCU Running, No Peripherals) Current Consumption vs Temperature

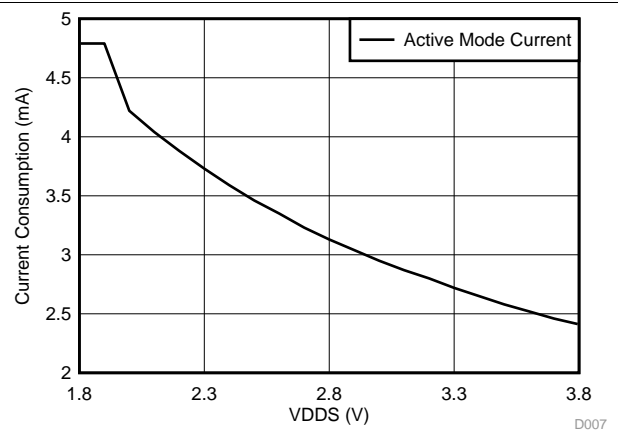


Figure 5-15. Active Mode (MCU Running, No Peripherals) Current Consumption vs Supply Voltage (VDDS)

Typical Characteristics (continued)

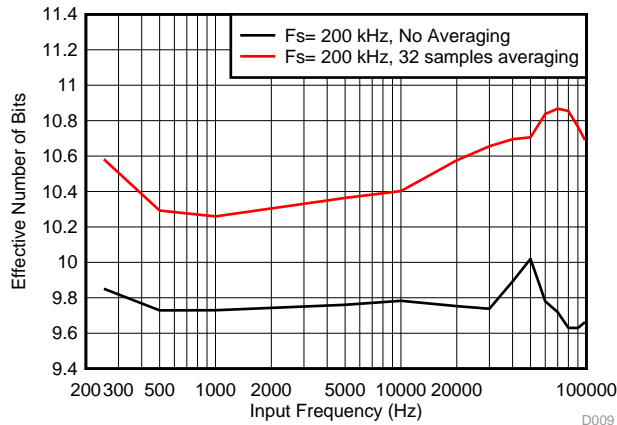


Figure 5-16. SoC ADC Effective Number of Bits vs Input Frequency (Internal Reference, Scaling enabled)

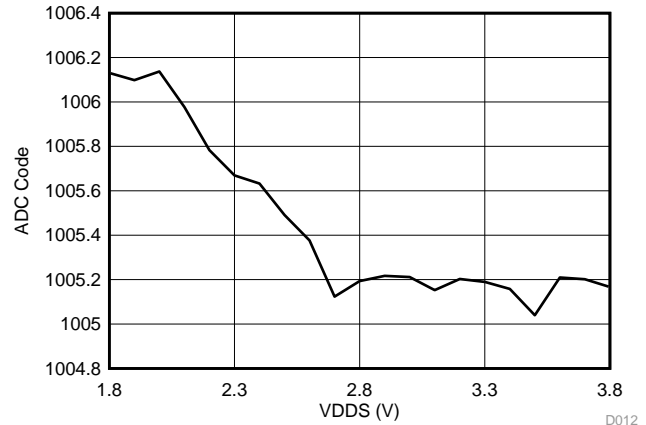


Figure 5-17. SoC ADC Output vs Supply Voltage (Fixed Input, Internal Reference)

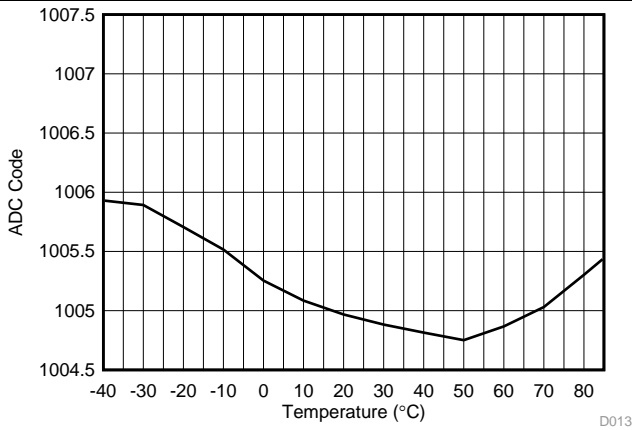


Figure 5-18. SoC ADC Output vs Temperature (Fixed Input, Internal Reference)

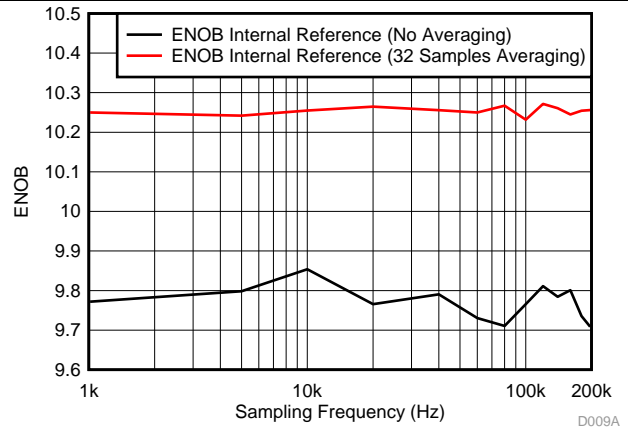


Figure 5-19. SoC ADC ENOB vs Sampling Frequency (Scaling enabled, input frequency = FS / 10)

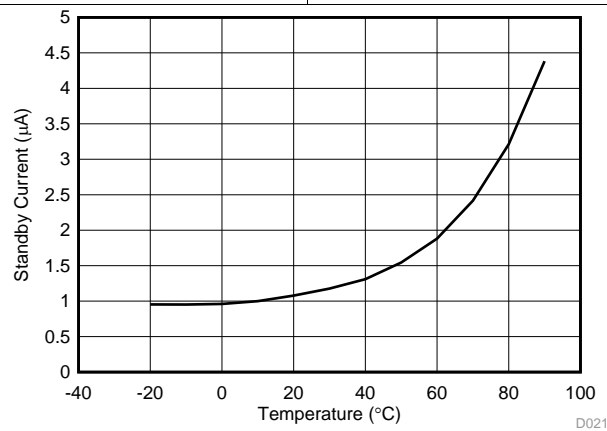
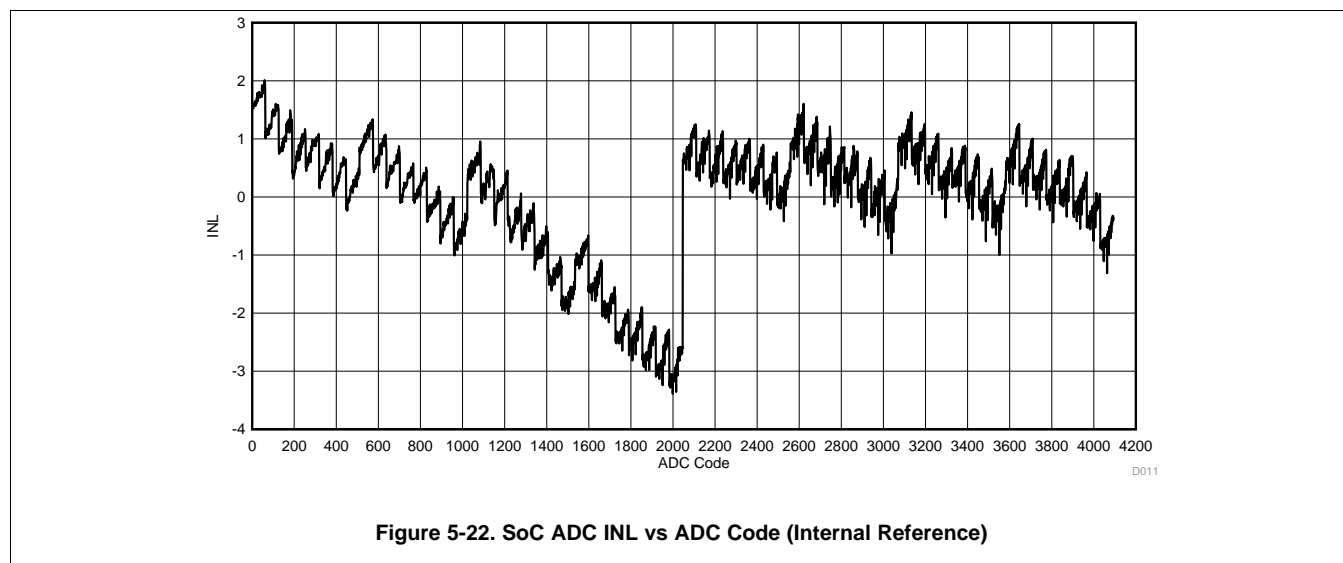
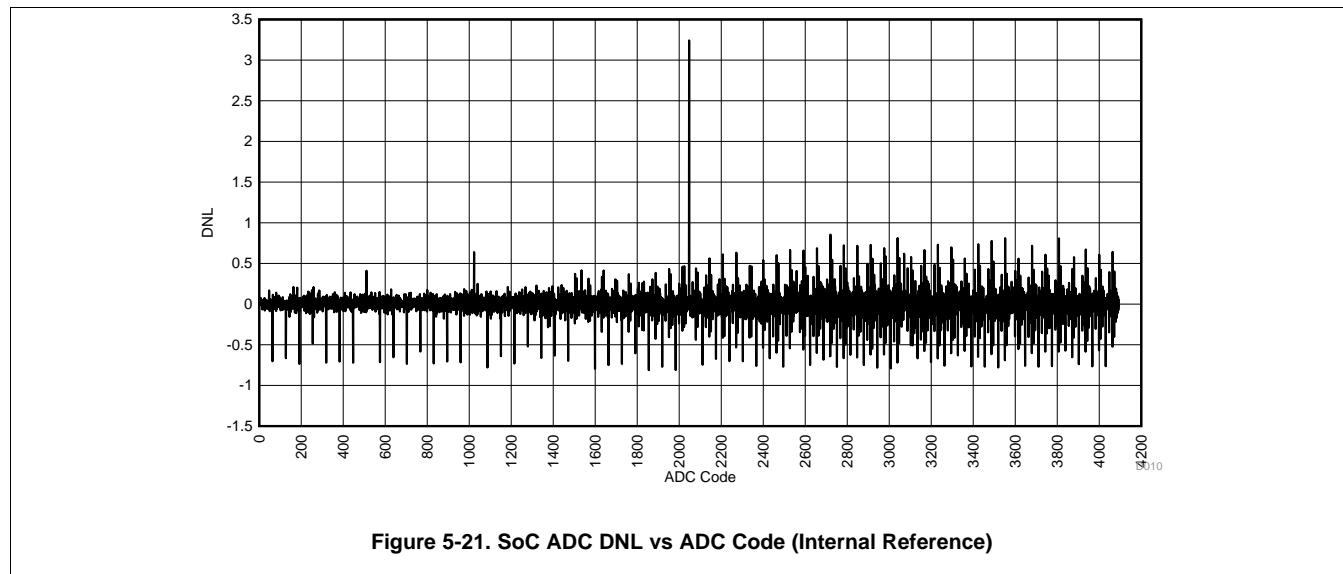


Figure 5-20. Standby Mode Supply Current vs Temperature

Typical Characteristics (continued)

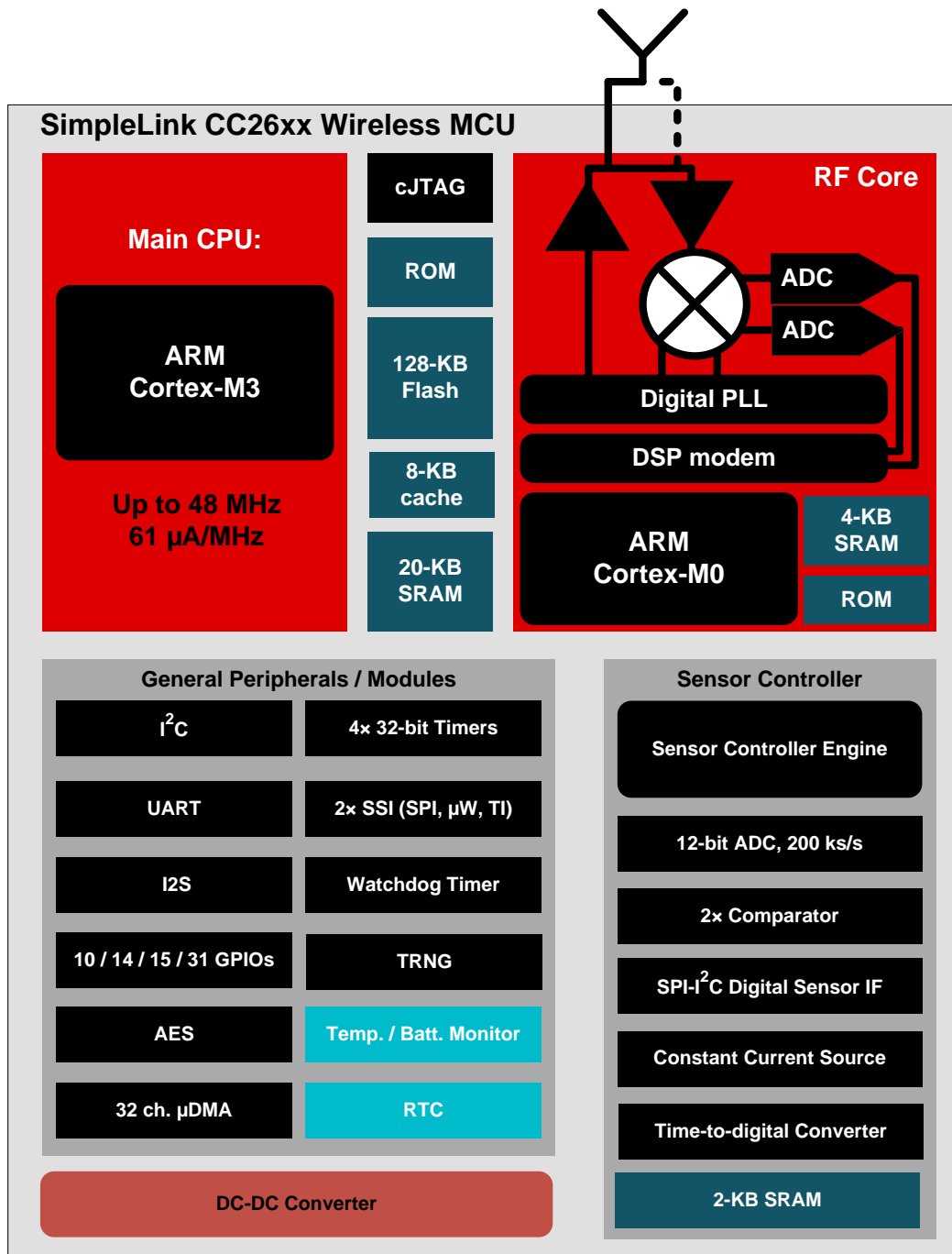


6 Detailed Description

6.1 Overview

The core modules of the CC26xx product family are shown in [Section 6.2](#).

6.2 Functional Block Diagram



Copyright © 2016, Texas Instruments Incorporated

6.3 Main CPU

The SimpleLink CC2630 Wireless MCU contains an ARM Cortex-M3 (CM3) 32-bit CPU, which runs the application and the higher layers of the protocol stack.

The CM3 processor provides a high-performance, low-cost platform that meets the system requirements of minimal memory implementation, and low-power consumption, while delivering outstanding computational performance and exceptional system response to interrupts.

CM3 features include the following:

- 32-bit ARM Cortex-M3 architecture optimized for small-footprint embedded applications
- Outstanding processing performance combined with fast interrupt handling
- ARM Thumb[®]-2 mixed 16- and 32-bit instruction set delivers the high performance expected of a 32-bit ARM core in a compact memory size usually associated with 8- and 16-bit devices, typically in the range of a few kilobytes of memory for microcontroller-class applications:
 - Single-cycle multiply instruction and hardware divide
 - Atomic bit manipulation (bit-banding), delivering maximum memory use and streamlined peripheral control
 - Unaligned data access, enabling data to be efficiently packed into memory
- Fast code execution permits slower processor clock or increases sleep mode time
- Harvard architecture characterized by separate buses for instruction and data
- Efficient processor core, system, and memories
- Hardware division and fast digital-signal-processing oriented multiply accumulate
- Saturating arithmetic for signal processing
- Deterministic, high-performance interrupt handling for time-critical applications
- Enhanced system debug with extensive breakpoint and trace capabilities
- Serial wire trace reduces the number of pins required for debugging and tracing
- Migration from the ARM7[™] processor family for better performance and power efficiency
- Optimized for single-cycle flash memory use
- Ultralow-power consumption with integrated sleep modes
- 1.25 DMIPS per MHz

6.4 RF Core

The RF Core contains an ARM Cortex-M0 processor that interfaces the analog RF and base-band circuitries, handles data to and from the system side, and assembles the information bits in a given packet structure. The RF core offers a high level, command-based API to the main CPU.

The RF core is capable of autonomously handling the time-critical aspects of the radio protocols (802.15.4 ZigBee) thus offloading the main CPU and leaving more resources for the user application.

The RF core has a dedicated 4-KB SRAM block and runs initially from separate ROM memory. The ARM Cortex-M0 processor is not programmable by customers.

6.5 Sensor Controller

The Sensor Controller contains circuitry that can be selectively enabled in standby mode. The peripherals in this domain may be controlled by the Sensor Controller Engine, which is a proprietary power-optimized CPU. This CPU can read and monitor sensors or perform other tasks autonomously, thereby significantly reducing power consumption and offloading the main CM3 CPU. The GPIOs that can be connected to the Sensor Controller are listed in [Table 6-1](#).

The Sensor Controller is set up using a PC-based configuration tool, called Sensor Controller Studio, and potential use cases may be (but are not limited to):

- Analog sensors using integrated ADC
- Digital sensors using GPIOs, bit-banged I²C, and SPI
- UART communication for sensor reading or debugging
- Capacitive sensing
- Waveform generation
- Pulse counting
- Keyboard scan
- Quadrature decoder for polling rotation sensors
- Oscillator calibration

NOTE

Texas Instruments provides application examples for some of these use cases, but not for all of them.

The peripherals in the Sensor Controller include the following:

- The low-power clocked comparator can be used to wake the device from any state in which the comparator is active. A configurable internal reference can be used in conjunction with the comparator. The output of the comparator can also be used to trigger an interrupt or the ADC.
- Capacitive sensing functionality is implemented through the use of a constant current source, a time-to-digital converter, and a comparator. The continuous time comparator in this block can also be used as a higher-accuracy alternative to the low-power clocked comparator. The Sensor Controller will take care of baseline tracking, hysteresis, filtering and other related functions.
- The ADC is a 12-bit, 200-ksamples/s ADC with eight inputs and a built-in voltage reference. The ADC can be triggered by many different sources, including timers, I/O pins, software, the analog comparator, and the RTC.
- The Sensor Controller also includes a SPI–I²C digital interface.
- The analog modules can be connected to up to eight different GPIOs.

The peripherals in the Sensor Controller can also be controlled from the main application processor.

Table 6-1. GPIOs Connected to the Sensor Controller⁽¹⁾

| ANALOG CAPABLE | 7 × 7 RGZ DIO NUMBER | 5 × 5 RHB DIO NUMBER | 4 × 4 RSM DIO NUMBER |
|----------------|-------------------------|-------------------------|-------------------------|
| Y | 30 | 14 | |
| Y | 29 | 13 | |
| Y | 28 | 12 | |
| Y | 27 | 11 | 9 |
| Y | 26 | 9 | 8 |
| Y | 25 | 10 | 7 |
| Y | 24 | 8 | 6 |
| Y | 23 | 7 | 5 |
| N | 7 | 4 | 2 |
| N | 6 | 3 | 1 |
| N | 5 | 2 | 0 |
| N | 4 | 1 | |
| N | 3 | 0 | |
| N | 2 | | |
| N | 1 | | |
| N | 0 | | |

(1) Depending on the package size, up to 16 pins can be connected to the Sensor Controller. Up to 8 of these pins can be connected to analog modules.

6.6 Memory

The flash memory provides nonvolatile storage for code and data. The flash memory is in-system programmable.

The SRAM (static RAM) can be used for both storage of data and execution of code and is split into two 4-KB blocks and two 6-KB blocks. Retention of the RAM contents in standby mode can be enabled or disabled individually for each block to minimize power consumption. In addition, if flash cache is disabled, the 8-KB cache can be used as a general-purpose RAM.

The ROM provides preprogrammed embedded TI RTOS kernel, Driverlib and lower layer protocol stack software (802.15.4 MAC). It also contains a bootloader that can be used to reprogram the device using SPI or UART.

6.7 Debug

The on-chip debug support is done through a dedicated cJTAG (IEEE 1149.7) or JTAG (IEEE 1149.1) interface.

6.8 Power Management

To minimize power consumption, the CC2630 device supports a number of power modes and power management features (see [Table 6-2](#)).

Table 6-2. Power Modes

| MODE | SOFTWARE CONFIGURABLE POWER MODES | | | | RESET PIN HELD |
|---|-----------------------------------|---------------------|----------------------------|-----------|----------------|
| | ACTIVE | IDLE | STANDBY | SHUTDOWN | |
| CPU | Active | Off | Off | Off | Off |
| Flash | On | Available | Off | Off | Off |
| SRAM | On | On | On | Off | Off |
| Radio | Available | Available | Off | Off | Off |
| Supply System | On | On | Duty Cycled | Off | Off |
| Current | 1.45 mA + 31 µA/MHz | 550 µA | 1 µA | 0.15 µA | 0.1 µA |
| Wake-up Time to CPU Active ⁽¹⁾ | – | 14 µs | 151 µs | 1015 µs | 1015 µs |
| Register Retention | Full | Full | Partial | No | No |
| SRAM Retention | Full | Full | Full | No | No |
| High-Speed Clock | XOSC_HF or RCOSC_HF | XOSC_HF or RCOSC_HF | Off | Off | Off |
| Low-Speed Clock | XOSC_LF or RCOSC_LF | XOSC_LF or RCOSC_LF | XOSC_LF or RCOSC_LF | Off | Off |
| Peripherals | Available | Available | Off | Off | Off |
| Sensor Controller | Available | Available | Available | Off | Off |
| Wake up on RTC | Available | Available | Available | Off | Off |
| Wake up on Pin Edge | Available | Available | Available | Available | Off |
| Wake up on Reset Pin | Available | Available | Available | Available | Available |
| Brown Out Detector (BOD) | Active | Active | Duty Cycled ⁽²⁾ | Off | N/A |
| Power On Reset (POR) | Active | Active | Active | Active | N/A |

(1) Not including RTOS overhead

(2) The Brown Out Detector is disabled between recharge periods in STANDBY. Lowering the supply voltage below the BOD threshold between two recharge periods while in STANDBY may cause the BOD to lock the device upon wake-up until a Reset/POR releases it. To avoid this, it is recommended that STANDBY mode is avoided if there is a risk that the supply voltage (VDD5) may drop below the specified operating voltage range. For the same reason, it is also good practice to ensure that a power cycling operation, such as a battery replacement, triggers a Power-on-reset by ensuring that the VDD5 decoupling network is fully depleted before applying supply voltage again (for example, inserting new batteries).

In active mode, the application CM3 CPU is actively executing code. Active mode provides normal operation of the processor and all of the peripherals that are currently enabled. The system clock can be any available clock source (see [Table 6-2](#)).

In idle mode, all active peripherals can be clocked, but the Application CPU core and memory are not clocked and no code is executed. Any interrupt event will bring the processor back into active mode.

In standby mode, only the always-on domain (AON) is active. An external wake-up event, RTC event, or sensor-controller event is required to bring the device back to active mode. MCU peripherals with retention do not need to be reconfigured when waking up again, and the CPU continues execution from where it went into standby mode. All GPIOs are latched in standby mode.

In shutdown mode, the device is turned off entirely, including the AON domain and the Sensor Controller. The I/Os are latched with the value they had before entering shutdown mode. A change of state on any I/O pin defined as a *wake-up from Shutdown pin* wakes up the device and functions as a reset trigger. The CPU can differentiate between a reset in this way, a reset-by-reset pin, or a power-on-reset by reading the reset status register. The only state retained in this mode is the latched I/O state and the Flash memory contents.

The Sensor Controller is an autonomous processor that can control the peripherals in the Sensor Controller independently of the main CPU, which means that the main CPU does not have to wake up, for example, to execute an ADC sample or poll a digital sensor over SPI. The main CPU saves both current and wake-up time that would otherwise be wasted. The Sensor Controller Studio enables the user to configure the sensor controller and choose which peripherals are controlled and which conditions wake up the main CPU.

6.9 Clock Systems

The CC2630 supports two external and two internal clock sources.

A 24-MHz crystal is required as the frequency reference for the radio. This signal is doubled internally to create a 48-MHz clock.

The 32-kHz crystal is optional. The low-speed crystal oscillator is designed for use with a 32-kHz watch-type crystal.

The internal high-speed oscillator (48-MHz) can be used as a clock source for the CPU subsystem.

The internal low-speed oscillator (32.768-kHz) can be used as a reference if the low-power crystal oscillator is not used.

The 32-kHz clock source can be used as external clocking reference through GPIO.

6.10 General Peripherals and Modules

The I/O controller controls the digital I/O pins and contains multiplexer circuitry to allow a set of peripherals to be assigned to I/O pins in a flexible manner. All digital I/Os are interrupt and wake-up capable, have a programmable pullup and pulldown function and can generate an interrupt on a negative or positive edge (configurable). When configured as an output, pins can function as either push-pull or open-drain. Five GPIOs have high drive capabilities (marked in **bold** in [Section 4](#)).

The SSIs are synchronous serial interfaces that are compatible with SPI, MICROWIRE, and Texas Instruments synchronous serial interfaces. The SSIs support both SPI master and slave up to 4 MHz.

The UART implements a universal asynchronous receiver/transmitter function. It supports flexible baud-rate generation up to a maximum of 3 Mbps .

Timer 0 is a general-purpose timer module (GPTM), which provides two 16-bit timers. The GPTM can be configured to operate as a single 32-bit timer, dual 16-bit timers or as a PWM module.

Timer 1, Timer 2, and Timer 3 are also GPTMs. Each of these timers is functionally equivalent to Timer 0.

In addition to these four timers, the RF core has its own timer to handle timing for RF protocols; the RF timer can be synchronized to the RTC.

The I²C interface is used to communicate with devices compatible with the I²C standard. The I²C interface is capable of 100-kHz and 400-kHz operation, and can serve as both I²C master and I²C slave.

The TRNG module provides a true, nondeterministic noise source for the purpose of generating keys, initialization vectors (IVs), and other random number requirements. The TRNG is built on 24 ring oscillators that create unpredictable output to feed a complex nonlinear combinatorial circuit.

The watchdog timer is used to regain control if the system fails due to a software error after an external device fails to respond as expected. The watchdog timer can generate an interrupt or a reset when a predefined time-out value is reached.

The device includes a direct memory access (μ DMA) controller. The μ DMA controller provides a way to offload data transfer tasks from the CM3 CPU, allowing for more efficient use of the processor and the available bus bandwidth. The μ DMA controller can perform transfer between memory and peripherals. The μ DMA controller has dedicated channels for each supported on-chip module and can be programmed to automatically perform transfers between peripherals and memory as the peripheral is ready to transfer more data. Some features of the μ DMA controller include the following (this is not an exhaustive list):

- Highly flexible and configurable channel operation of up to 32 channels
- Transfer modes:
 - Memory-to-memory
 - Memory-to-peripheral
 - Peripheral-to-memory
 - Peripheral-to-peripheral
- Data sizes of 8, 16, and 32 bits

The AON domain contains circuitry that is always enabled, except for in Shutdown (where the digital supply is off). This circuitry includes the following:

- The RTC can be used to wake the device from any state where it is active. The RTC contains three compare and one capture registers. With software support, the RTC can be used for clock and calendar operation. The RTC is clocked from the 32-kHz RC oscillator or crystal. The RTC can also be compensated to tick at the correct frequency even when the internal 32-kHz RC oscillator is used instead of a crystal.
- The battery monitor and temperature sensor are accessible by software and give a battery status indication as well as a coarse temperature measure.

6.11 Voltage Supply Domains

The CC2630 device can interface to two or three different voltage domains depending on the package type. On-chip level converters ensure correct operation as long as the signal voltage on each input/output pin is set with respect to the corresponding supply pin (VDDS, VDDS2 or VDDS3). lists the pin-to-VDDS mapping.

Table 6-3. Pin Function to VDDS Mapping Table

| | Package | | |
|---------------------|----------------------|---------------------|--------------------|
| | VQFN 7 x 7 (RGZ) | VQFN 5 x 5 (RHB) | VQFN 4 x 4 (RSM) |
| VDDS ⁽¹⁾ | DIO 23–30 Reset_N | DIO 7–14 Reset_N | DIO 5–9 Reset_N |
| VDDS2 | DIO 0–11 | DIO 0–6 JTAG | DIO 0–4 JTAG |
| VDDS3 | DIO 12–22 JTAG | N/A | N/A |

(1) VDDS_DCDC must be connected to VDDS on the PCB.

6.12 System Architecture

Depending on the product configuration, CC26xx can function either as a Wireless Network Processor (WNP—an IC running the wireless protocol stack, with the application running on a separate MCU), or as a System-on-Chip (SoC), with the application and protocol stack running on the ARM CM3 core inside the device.

In the first case, the external host MCU communicates with the device using SPI or UART. In the second case, the application must be written according to the application framework supplied with the wireless protocol stack.

7 Application, Implementation, and Layout

NOTE

Information in the following applications sections is not part of the TI component specification, and TI does not warrant its accuracy or completeness. TI's customers are responsible for determining suitability of components for their purposes. Customers should validate and test their design implementation to confirm system functionality.

7.1 Application Information

Very few external components are required for the operation of the CC2630 device. This section provides some general information about the various configuration options when using the CC2630 in an application, and then shows two examples of application circuits with schematics and layout. This is only a small selection of the many application circuit examples available as complete reference designs from the product folder on www.ti.com.

Figure 7-1 shows the various RF front-end configuration options. The RF front end can be used in differential- or single-ended configurations with the options of having internal or external biasing. These options allow for various trade-offs between cost, board space, and RF performance. Differential operation with external bias gives the best performance while single-ended operation with internal bias gives the least amount of external components and the lowest power consumption. Reference designs exist for each of these options.

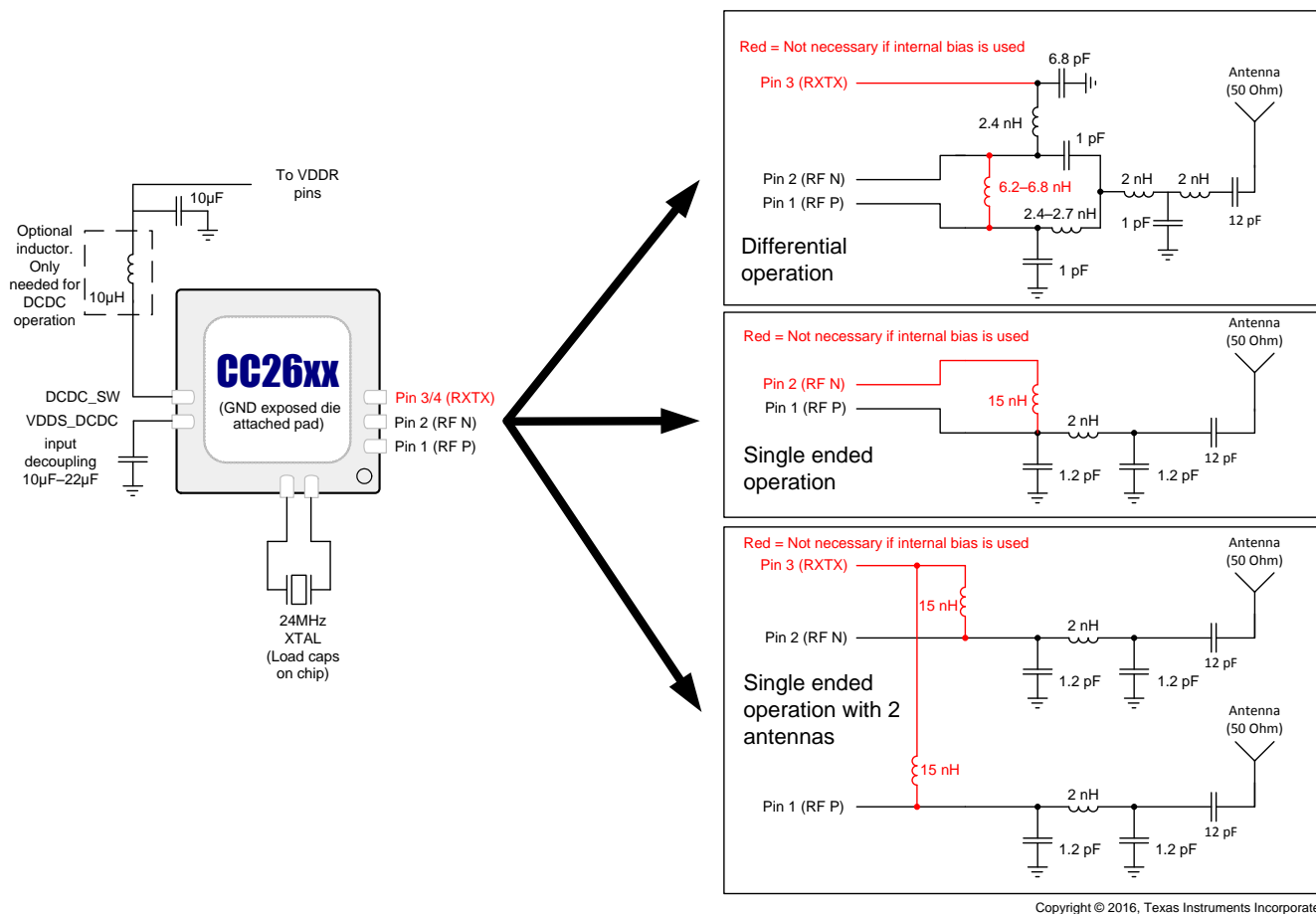


Figure 7-1. CC2630 Application Circuit

Figure 7-2 shows the various supply voltage configuration options. Not all power supply decoupling capacitors or digital I/Os are shown. Exact pin positions will vary between the different package options. For a detailed overview of power supply decoupling and wiring, see the TI reference designs and the CC26xx technical reference manual (节 8.3).

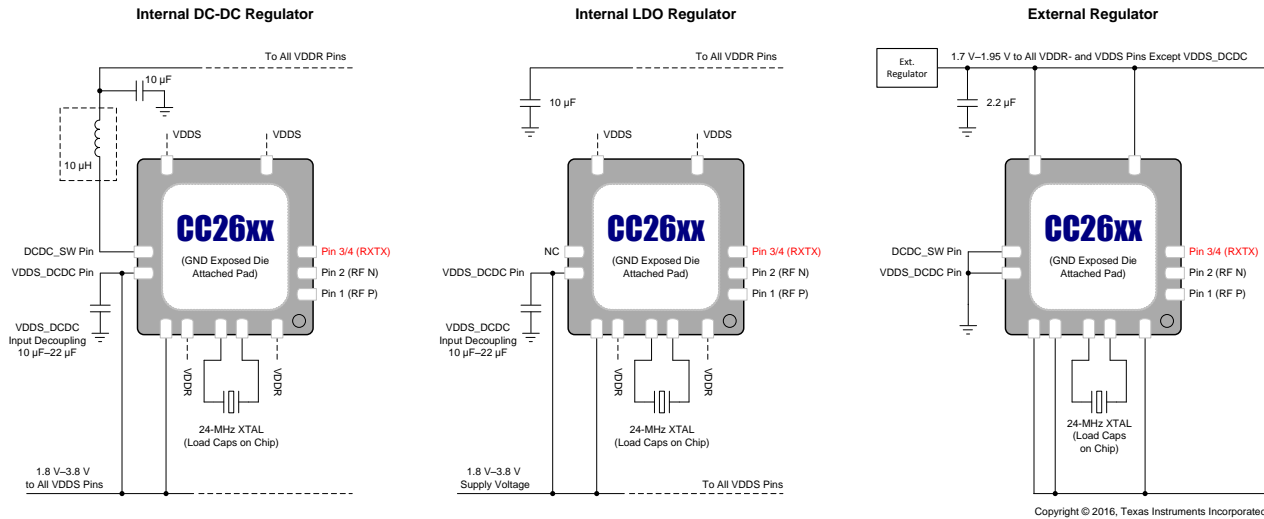
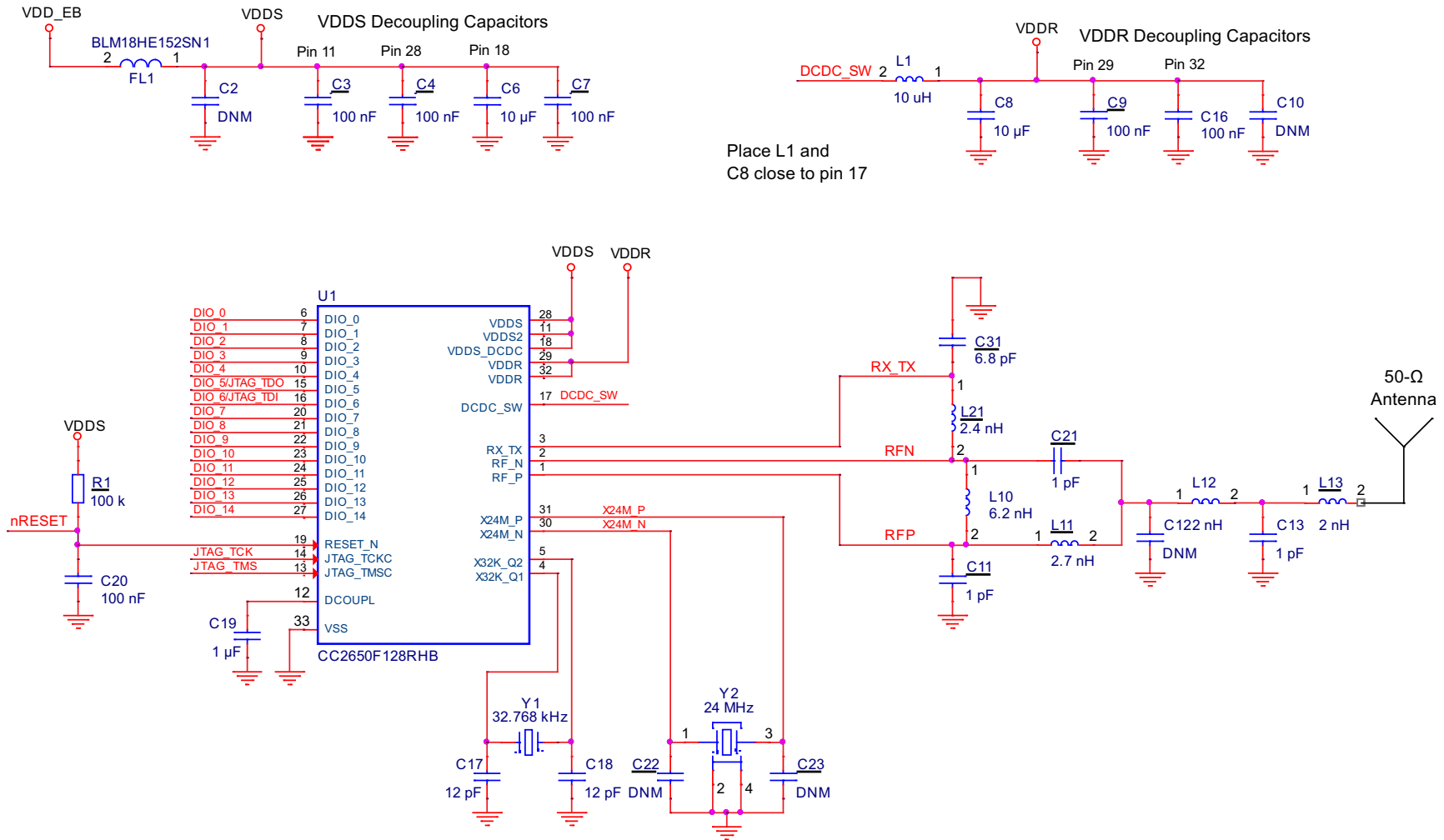


Figure 7-2. Supply Voltage Configurations

7.2 5 x 5 External Differential (5XD) Application Circuit



Copyright © 2016, Texas Instruments Incorporated

Figure 7-3. 5 x 5 External Differential (5XD) Application Circuit

7.2.1 Layout

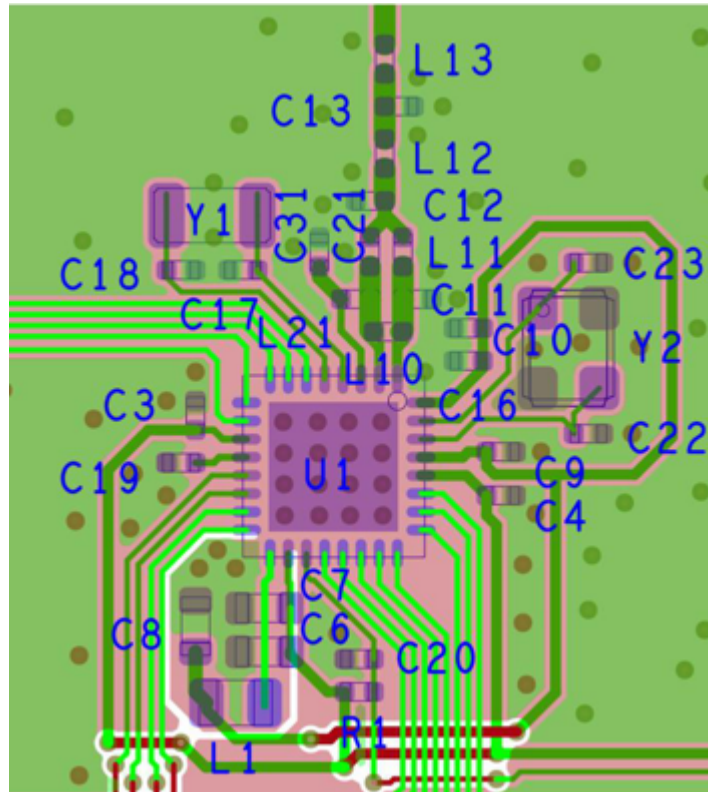
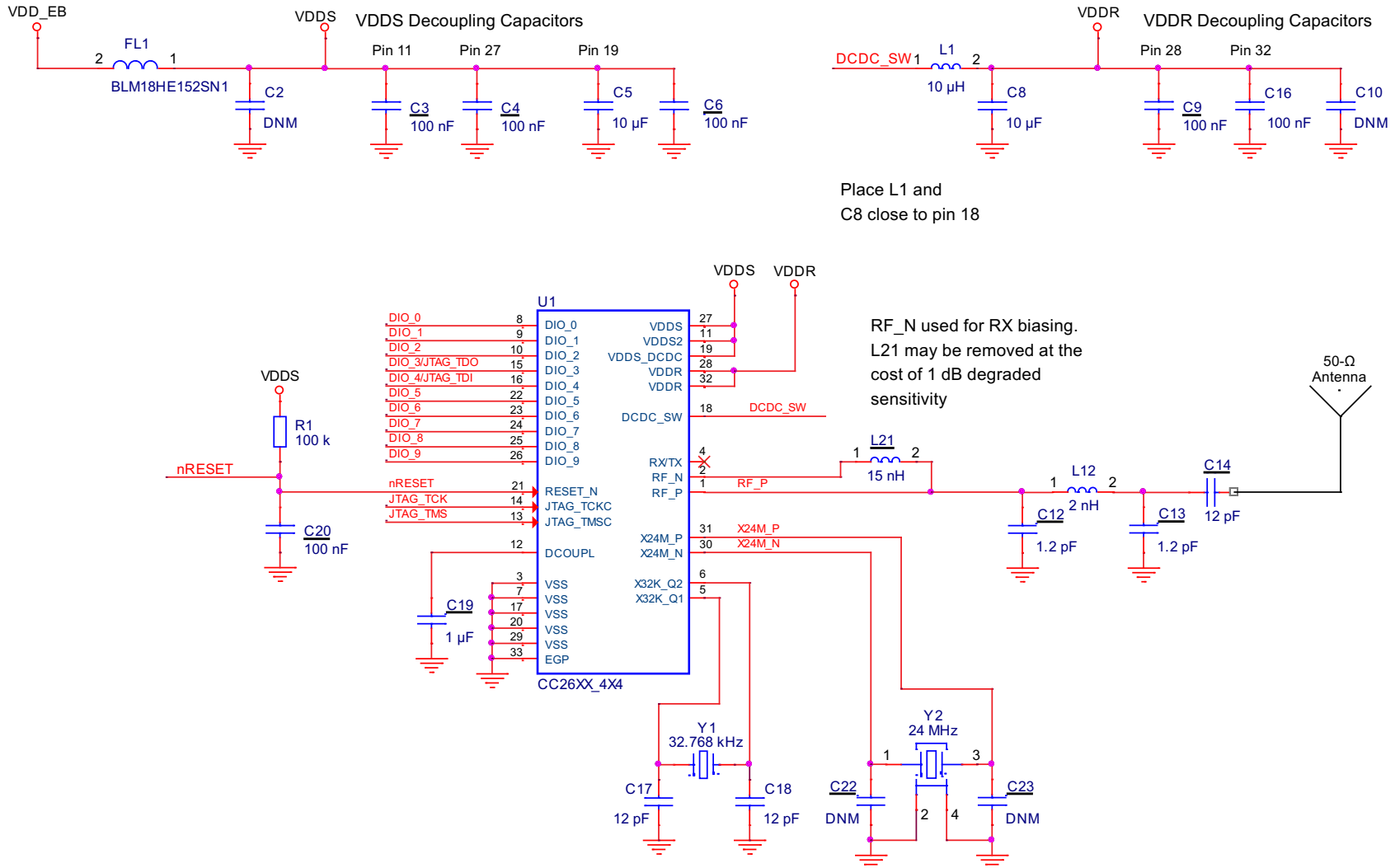


Figure 7-4. 5 × 5 External Differential (5XD) Layout

7.3 4 x 4 External Single-ended (4XS) Application Circuit



Copyright © 2016, Texas Instruments Incorporated

Figure 7-5. 4 x 4 External Single-ended (4XS) Application Circuit

7.3.1 Layout

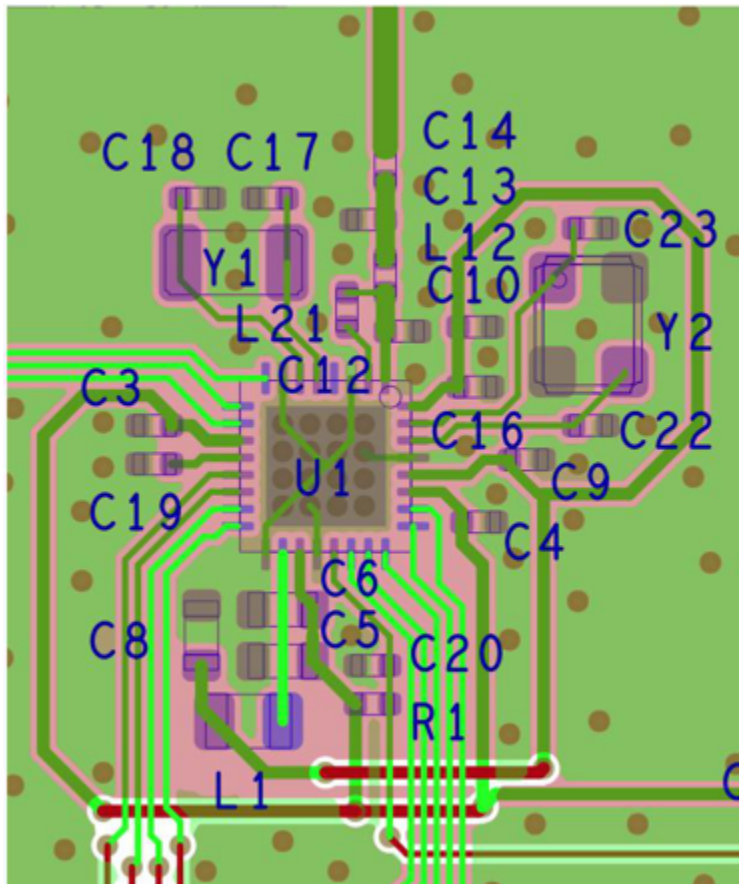


Figure 7-6. 4 x 4 External Single-ended (4XS) Layout

8 器件和文档支持

8.1 器件命名规则

为了标明产品开发周期的各个产品阶段，TI 为所有预生产部件号或日期代码标记分配了前缀。每个器件都具有以下三个前缀/标识中的一个：X、P 或无（无前缀）（例如 CC2630 正在批量生产，因此未分配前缀/标识）。

器件开发进化流程：

X 试验器件不一定代表最终器件的电气规范标准并且不可使用生产组装流程。

P 原型器件不一定是最终芯片模型并且不一定符合最终电气标准规范。

无 完全合格的芯片模型的生产版本。

生产器件已进行完全特性化，并且器件的质量和可靠性已经完全论证。TI 的标准保修证书适用。

预测显示原型器件（X 或者 P）的故障率大于标准生产器件。由于它们的预计的最终使用故障率仍未定义，德州仪器 (TI) 建议不要将这些器件用于任何生产系统。只有合格的生产器件将被使用。

TI 器件的命名规则也包括一个带有器件系列名称的后缀。这个后缀表示封装类型（例如，RSM）。

要获得 CC2630 器件（采用 RSM、RHB 或 RGZ 封装类型）的订购部件号，请参见本文档的封装选项附录（访问 TI 网站 www.ti.com），或者联系您的 TI 销售代表。

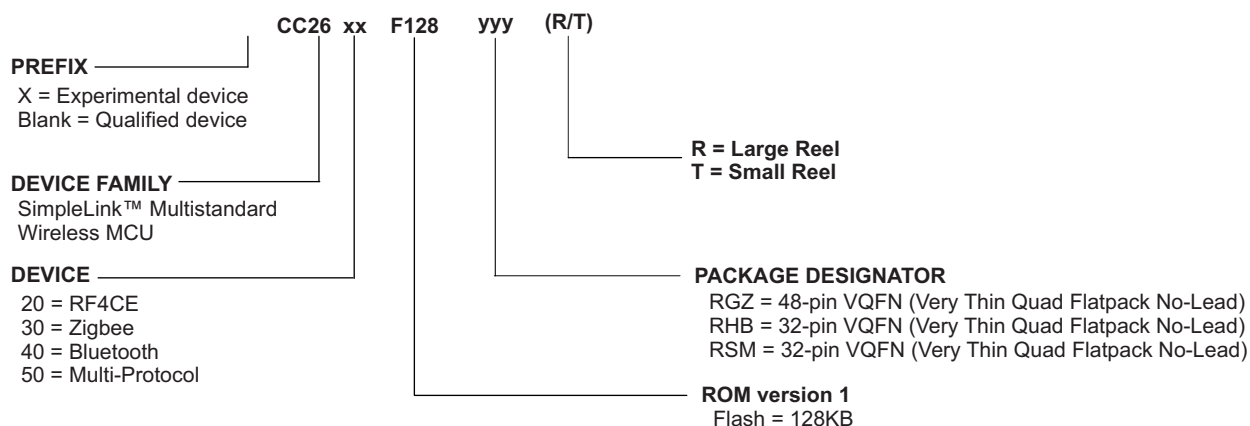


图 8-1. 器件命名规则

8.2 工具与软件

德州仪器 (TI) 提供大量的开发工具，其中包括评估处理器性能、生成代码、开发算法工具、以及完全集成和调试软件及硬件模块的工具。

以下产品支持开发 CC2630 器件 应用的开发提供支持：

软件工具：

SmartRF Studio 7:

SmartRF Studio 是一款 PC 应用程序，可帮助无线电系统设计人员评估早期设计过程的 RF-IC。

- 测试无线数据包收发功能，连续波收发功能
- 将相关数据写入支持的评估板或调试器，评估定制板上的 RF 性能
- 可以不搭配任何硬件使用，但此时只能生成、编辑并导出无线配置设置
- 可与德州仪器 (TI) CCxxxx 系列 RF-IC 的多款开发套件搭配使用

Sensor Controller Studio:

Sensor Controller Studio 为 CC26xx 传感器控制器提供开发环境。此传感器控制器是 CC26xx 系列中的一款专用功率优化型 CPU，可独立于系统 CPU 状态自主执行简单的后台任务。

- 允许使用 C 语言这类编程语言实现传感器控制器任务算法
- 输出传感器控制器接口驱动程序，其中整合了生成的传感器控制器机械代码和相关定义
- 通过使用集成传感器控制器任务测试和调试功能实现快速开发这有助于实现有效的传感器数据和算法验证可视化。

IDE 和编译器:

Code Composer Studio:

- 带有项目管理工具和编辑器的集成开发环境
- Code Composer Studio (CCS) 7.0 及更高版本内置对 CC26xx 系列器件的支持功能
- 优先支持的 XDS 调试器：XDS100v3、XDS110 和 XDS200
- 与 TI-RTOS 高度集成，支持 TI-RTOS 对象视图

IAR ARM Embedded Workbench

- 带有项目管理工具和编辑器的集成开发环境
- IAR EWARM 7.80.1 及更高版本内置对 CC26xx 系列器件的支持功能
- 广泛的调试器支持，支持 XDS100v3、XDS200、IAR I-Jet 和 Segger J-Link
- 带有项目管理工具和编辑器的集成开发环境
- 适用于 TI-RTOS 的 RTOS 插件

要获取有关 CC2630 平台的开发支持工具的完整列表，请访问德州仪器 (TI) 网站 www.ti.com。有关定价和购买信息，请联系最近的 TI 销售办事处或授权分销商。

8.3 文档支持

如需接收文档更新通知，请访问 ti.com 网站上的器件产品文件夹 (**CC2630**)。点击右上角的提醒我 (Alert me) 注册后，即可每周定期收到已更改的产品信息。有关更改的详细信息，请查阅已修订文档中包含的修订历史记录。

下面列出了描述 CC2630 器件、相关外设和其他技术材料的最新文档。

技术参考手册

《**CC13xx、CC26xx SimpleLink™ 无线 MCU 技术参考手册**》

《**CC26xx SimpleLink™ 无线 MCU 勘误表**》

勘误

《**CC2630 和 CC2650 SimpleLink™ 无线 MCU 勘误表**》

8.4 德州仪器 (TI) 低功耗射频网站

德州仪器 (TI) 的低功耗射频网站提供所有最新产品、应用和设计笔记、FAQ 部分、新闻资讯以及活动更新。请访问 www.ti.com.cn/lprf。

8.5 低功耗射频电子新闻简报

通过低功耗射频电子新闻简报，您能够了解到最新的产品、新闻稿、开发者相关新闻以及关于德州仪器 (TI) 低功耗射频产品其它新闻和活动。低功耗射频电子新闻简报文章包含可获取更多在线信息的链接。

访问：www.ti.com.cn/lprfnewsletter 立即注册

8.6 社区资源

下列链接提供到 TI 社区资源的连接。链接的内容由各个分销商“按照原样”提供。这些内容并不构成 TI 技术规范 and 标准且不一定反映 TI 的观点；请见 TI 的 [使用条款](#)。

TI E2E™ Online Community The TI engineer-to-engineer (E2E) community was created to foster collaboration among engineers. At e2e.ti.com, you can ask questions, share knowledge, explore ideas and help solve problems with fellow engineers.

TI 嵌入式处理器维基网页 德州仪器 (TI) 嵌入式处理器维基网站。此网站的建立是为了帮助开发人员从德州仪器 (TI) 的嵌入式处理器入门并且也为了促进与这些器件相关的硬件和软件的总体知识的创新和增长。

低功耗射频在线社区 TI E2E 支持社区的无线连接部门

- 论坛、视频和博客
- 射频设计帮助
- E2E 交流互动

[请点击此处](#)加入我们。

低功耗射频开发者网络 德州仪器 (TI) 建立了一个大型低功耗射频开发合作伙伴网络，帮助客户加快应用开发。此网络中包括推荐的公司、射频顾问和独立设计工作室，他们可提供一系列硬件模块产品和设计服务，其中包括：

- 射频电路、低功耗射频和 ZigBee 设计服务
- 低功耗射频和 ZigBee 模块解决方案以及开发工具
- 射频认证服务和射频电路制造

如果需要有关模块、工程服务或开发工具的帮助：

请搜索 **低功耗射频开发者网络** 查找适合的合作伙伴。www.ti.com.cn/lprfnetwork

8.7 其他信息

德州仪器 (TI) 为汽车、工业和消费类应用中所使用的专有应用和标准无线应用提供各种经济实用的低功耗射频解决方案。其中包括适用于 1GHz 以下频段和 2.4GHz 频段的射频收发器、射频发送器、射频前端和片上系统以及各种软件解决方案。

此外，德州仪器 (TI) 还提供广泛的相关支持，例如开发工具、技术文档、参考设计、应用专业技术、客户支持、第三方服务以及大学计划。

低功耗射频 E2E 在线社区设有技术支持论坛并提供视频和博客，您有机会在此与全球同领域工程师交流互动。

凭借丰富的供选产品解决方案、可实现的最终应用以及广泛的技术支持，德州仪器 (TI) 能够为您提供最全面的低功耗射频产品组合。

8.8 商标

SimpleLink, SmartRF, Code Composer Studio, LaunchPad, E2E are trademarks of Texas Instruments.

ARM7 is a trademark of ARM Limited (or its subsidiaries).

ARM, Cortex, ARM Thumb are registered trademarks of ARM Limited (or its subsidiaries).

蓝牙 is a registered trademark of Bluetooth SIG, Inc.

CoreMark is a registered trademark of Embedded Microprocessor Benchmark Consortium.

IAR Embedded Workbench is a registered trademark of IAR Systems AB.

IEEE Std 1241 is a trademark of Institute of Electrical and Electronics Engineers, Incorporated.

ZigBee is a registered trademark of ZigBee Alliance, Inc.

All other trademarks are the property of their respective owners.

8.9 静电放电警告



ESD 可能会损坏该集成电路。德州仪器 (TI) 建议通过适当的预防措施处理所有集成电路。如果不遵守正确的处理措施和安装程序，可能会损坏集成电路。

ESD 的损坏小至导致微小的性能降级，大至整个器件故障。精密的集成电路可能更容易受到损坏，这是因为非常细微的参数更改都可能会导致器件与其发布的规格不相符。

8.10 出口管制提示

接收方同意：如果美国或其他适用法律限制或禁止将通过非披露义务的披露方获得的任何产品或技术数据（其中包括软件）（见美国、欧盟和其他出口管理条例之定义）、或者其他适用国家条例限制的任何受管制产品或此项技术的任何直接产品出口或再出口至任何目的地，那么在没有事先获得美国商务部和其他相关政府机构授权的情况下，接收方不得在知情的情况下，以直接或间接的方式将其出口。

8.11 Glossary

TI Glossary This glossary lists and explains terms, acronyms, and definitions.

9 机械、封装和可订购信息

9.1 封装信息

以下页中包括机械、封装和可订购信息。这些信息是针对指定器件可提供的最新数据。这些数据会在无通知且不对本文档进行修订的情况下发生改变。欲获得该数据表的浏览器版本，请查阅左侧的导航栏。

重要声明

德州仪器 (TI) 公司有权按照最新发布的 JESD46 对其半导体产品和服务进行纠正、增强、改进和其他修改，并不再按最新发布的 JESD48 提供任何产品和服务。买方在下订单前应获取最新的相关信息，并验证这些信息是否完整且是最新的。

TI 公布的半导体产品销售条款 (<http://www.ti.com/sc/docs/stdterms.htm>) 适用于 TI 已认证和批准上市的已封装集成电路产品的销售。另有其他条款可能适用于其他类型 TI 产品及服务的使用或销售。

复制 TI 数据表上 TI 信息的重要部分时，不得变更该等信息，且必须随附所有相关保证、条件、限制和通知，否则不得复制。TI 对该等复制文件不承担任何责任。第三方信息可能受到其它限制条件的制约。在转售 TI 产品或服务时，如果存在对产品或服务参数的虚假陈述，则会失去相关 TI 产品或服务的明示或暗示保证，且构成不公平的、欺诈性商业行为。TI 对此类虚假陈述不承担任何责任。

买方和在系统中整合 TI 产品的其他开发人员（总称“设计人员”）理解并同意，设计人员在设计应用时应自行实施独立的分析、评价和判断，且应全权负责并确保应用的安全性，及设计人员的应用（包括应用中使用的 TI 产品）应符合所有适用的法律法规及其他相关要求。设计人员就自己设计的应用声明，其具备制订和实施下列保障措施所需的一切必要专业知识，能够 (1) 预见故障的危险后果，(2) 监视故障及其后果，以及 (3) 降低可能导致危险的故障几率并采取适当措施。设计人员同意，在使用或分发包含 TI 产品的任何应用前，将彻底测试该等应用和该等应用中所用 TI 产品的功能。

TI 提供技术、应用或其他设计建议、质量特点、可靠性数据或其他服务或信息，包括但不限于与评估模块有关的参考设计和材料（总称“TI 资源”），旨在帮助设计人员开发整合了 TI 产品的应用，如果设计人员（个人，或如果是代表公司，则为设计人员的公司）以任何方式下载、访问或使用任何特定的 TI 资源，即表示其同意仅为该等目标，按照本通知的条款使用任何特定 TI 资源。

TI 所提供的 TI 资源，并未扩大或以其他方式修改 TI 对 TI 产品的公开适用的质保及质保免责声明；也未导致 TI 承担任何额外的义务或责任。TI 有权对其 TI 资源进行纠正、增强、改进和其他修改。除特定 TI 资源的公开文档中明确列出的测试外，TI 未进行任何其他测试。

设计人员只有在开发包含该等 TI 资源所列 TI 产品的应用时，才被授权使用、复制和修改任何相关单项 TI 资源。但并未依据禁止反言原则或其他法理授予您任何 TI 知识产权的任何其他明示或默示的许可，也未授予您 TI 或第三方的任何技术或知识产权的许可，该等产权包括但不限于任何专利权、版权、屏蔽作品权或与服务整合、机器制作、流程相关的其他知识产权。涉及或参考了第三方产品或服务的信息不构成使用此类产品或服务的许可或与其相关的保证或认可。使用 TI 资源可能需要您向第三方获得对该等第三方专利或其他知识产权的许可。

TI 资源系“按原样”提供。TI 兹免除对资源及其使用作出所有其他明确或默认的保证或陈述，包括但不限于对准确性或完整性、产权保证、无屡发故障保证，以及适销性、适合特定用途和不侵犯任何第三方知识产权的任何默认保证。TI 不负责任何申索，包括但不限于因组合产品所致或与之有关的申索，也不为或对设计人员进行辩护或赔偿，即使该等产品组合已列于 TI 资源或其他地方。对因 TI 资源或其使用引起或与之有关的任何实际的、直接的、特殊的、附带的、间接的、惩罚性的、偶发的、从属或惩戒性损害赔偿，不管 TI 是否获悉可能会产生上述损害赔偿，TI 概不负责。

除 TI 已明确指出特定产品已达到特定行业标准（例如 ISO/TS 16949 和 ISO 26262）的要求外，TI 不对未达到任何该等行业标准而承担任何责任。

如果 TI 明确宣称产品有助于功能安全或符合行业功能安全标准，则该等产品旨在帮助客户设计和创作自己的符合相关功能安全标准和要求的的应用。在应用内使用产品的行为本身不会配有 任何安全特性。设计人员必须确保遵守适用于其应用的相关安全要求和标准。设计人员不可将任何 TI 产品用于关乎性命的医疗设备，除非已由各方获得授权的管理人员签署专门的合同对此类应用专门作出规定。关乎性命的医疗设备是指出现故障会导致严重身体伤害或死亡的医疗设备（例如生命保障设备、心脏起搏器、心脏除颤器、人工心脏泵、神经刺激器以及植入设备）。此类设备包括但不限于，美国食品药品监督管理局认定为 III 类设备的设备，以及在美国以外的其他国家或地区认定为同等类别设备的所有医疗设备。

TI 可能明确指定某些产品具备某些特定资格（例如 Q100、军用级或增强型产品）。设计人员同意，其具备一切必要专业知识，可以为自己的应用选择适合的产品，并且正确选择产品的风险由设计人员承担。设计人员单方面负责遵守与该等选择有关的所有法律或监管要求。

设计人员同意向 TI 及其代表全额赔偿因其不遵守本通知条款和条件而引起的任何损害、费用、损失和/或责任。

邮寄地址：上海市浦东新区世纪大道 1568 号中建大厦 32 楼，邮政编码：200122
Copyright © 2017 德州仪器半导体技术（上海）有限公司

PACKAGING INFORMATION

| Orderable Device | Status (1) | Package Type | Package Drawing | Pins | Package Qty | Eco Plan (2) | Lead/Ball Finish (6) | MSL Peak Temp (3) | Op Temp (°C) | Device Marking (4/5) | Samples |
|------------------|---------------|--------------|-----------------|------|-------------|-------------------------|-------------------------|----------------------|--------------|-------------------------|-------------------------|
| CC2630F128RGZR | ACTIVE | VQFN | RGZ | 48 | 2500 | Green (RoHS & no Sb/Br) | NIPDAU NIPDAUAG | Level-3-260C-168 HR | -40 to 85 | CC2630 F128 | Samples |
| CC2630F128RGZT | ACTIVE | VQFN | RGZ | 48 | 250 | Green (RoHS & no Sb/Br) | NIPDAU NIPDAUAG | Level-3-260C-168 HR | -40 to 85 | CC2630 F128 | Samples |
| CC2630F128RHBR | ACTIVE | VQFN | RHB | 32 | 3000 | Green (RoHS & no Sb/Br) | NIPDAU NIPDAUAG | Level-3-260C-168 HR | -40 to 85 | CC2630 F128 | Samples |
| CC2630F128RHBT | ACTIVE | VQFN | RHB | 32 | 250 | Green (RoHS & no Sb/Br) | NIPDAU NIPDAUAG | Level-3-260C-168 HR | -40 to 85 | CC2630 F128 | Samples |
| CC2630F128RSMR | ACTIVE | VQFN | RSM | 32 | 3000 | Green (RoHS & no Sb/Br) | NIPDAU NIPDAUAG | Level-3-260C-168 HR | -40 to 85 | CC2630 F128 | Samples |
| CC2630F128RSMT | ACTIVE | VQFN | RSM | 32 | 250 | Green (RoHS & no Sb/Br) | NIPDAU NIPDAUAG | Level-3-260C-168 HR | -40 to 85 | CC2630 F128 | Samples |

(1) The marketing status values are defined as follows:

ACTIVE: Product device recommended for new designs.

LIFEBUY: TI has announced that the device will be discontinued, and a lifetime-buy period is in effect.

NRND: Not recommended for new designs. Device is in production to support existing customers, but TI does not recommend using this part in a new design.

PREVIEW: Device has been announced but is not in production. Samples may or may not be available.

OBSOLETE: TI has discontinued the production of the device.

(2) **RoHS:** TI defines "RoHS" to mean semiconductor products that are compliant with the current EU RoHS requirements for all 10 RoHS substances, including the requirement that RoHS substance do not exceed 0.1% by weight in homogeneous materials. Where designed to be soldered at high temperatures, "RoHS" products are suitable for use in specified lead-free processes. TI may reference these types of products as "Pb-Free".

RoHS Exempt: TI defines "RoHS Exempt" to mean products that contain lead but are compliant with EU RoHS pursuant to a specific EU RoHS exemption.

Green: TI defines "Green" to mean the content of Chlorine (Cl) and Bromine (Br) based flame retardants meet JS709B low halogen requirements of <=1000ppm threshold. Antimony trioxide based flame retardants must also meet the <=1000ppm threshold requirement.

(3) MSL, Peak Temp. - The Moisture Sensitivity Level rating according to the JEDEC industry standard classifications, and peak solder temperature.

(4) There may be additional marking, which relates to the logo, the lot trace code information, or the environmental category on the device.

(5) Multiple Device Markings will be inside parentheses. Only one Device Marking contained in parentheses and separated by a "~" will appear on a device. If a line is indented then it is a continuation of the previous line and the two combined represent the entire Device Marking for that device.

⁽⁶⁾ Lead/Ball Finish - Orderable Devices may have multiple material finish options. Finish options are separated by a vertical ruled line. Lead/Ball Finish values may wrap to two lines if the finish value exceeds the maximum column width.

Important Information and Disclaimer:The information provided on this page represents TI's knowledge and belief as of the date that it is provided. TI bases its knowledge and belief on information provided by third parties, and makes no representation or warranty as to the accuracy of such information. Efforts are underway to better integrate information from third parties. TI has taken and continues to take reasonable steps to provide representative and accurate information but may not have conducted destructive testing or chemical analysis on incoming materials and chemicals. TI and TI suppliers consider certain information to be proprietary, and thus CAS numbers and other limited information may not be available for release.

In no event shall TI's liability arising out of such information exceed the total purchase price of the TI part(s) at issue in this document sold by TI to Customer on an annual basis.

TAPE AND REEL INFORMATION

QUADRANT ASSIGNMENTS FOR PIN 1 ORIENTATION IN TAPE


*All dimensions are nominal

| Device | Package Type | Package Drawing | Pins | SPQ | Reel Diameter (mm) | Reel Width W1 (mm) | A0 (mm) | B0 (mm) | K0 (mm) | P1 (mm) | W (mm) | Pin1 Quadrant |
|----------------|--------------|-----------------|------|------|--------------------|--------------------|---------|---------|---------|---------|--------|---------------|
| CC2630F128RGZR | VQFN | RGZ | 48 | 2500 | 330.0 | 16.4 | 7.3 | 7.3 | 1.1 | 12.0 | 16.0 | Q2 |
| CC2630F128RGZR | VQFN | RGZ | 48 | 2500 | 330.0 | 16.4 | 7.3 | 7.3 | 1.1 | 12.0 | 16.0 | Q2 |
| CC2630F128RGZT | VQFN | RGZ | 48 | 250 | 180.0 | 16.4 | 7.3 | 7.3 | 1.1 | 12.0 | 16.0 | Q2 |
| CC2630F128RGZT | VQFN | RGZ | 48 | 250 | 180.0 | 16.4 | 7.3 | 7.3 | 1.1 | 12.0 | 16.0 | Q2 |
| CC2630F128RHBR | VQFN | RHB | 32 | 3000 | 330.0 | 12.4 | 5.3 | 5.3 | 1.1 | 8.0 | 12.0 | Q2 |
| CC2630F128RHBT | VQFN | RHB | 32 | 250 | 180.0 | 12.4 | 5.3 | 5.3 | 1.1 | 8.0 | 12.0 | Q2 |
| CC2630F128RHBT | VQFN | RHB | 32 | 250 | 180.0 | 12.4 | 5.3 | 5.3 | 1.1 | 8.0 | 12.0 | Q2 |
| CC2630F128RSMR | VQFN | RSM | 32 | 3000 | 330.0 | 12.4 | 4.25 | 4.25 | 1.15 | 8.0 | 12.0 | Q2 |
| CC2630F128RSMT | VQFN | RSM | 32 | 250 | 180.0 | 12.4 | 4.25 | 4.25 | 1.15 | 8.0 | 12.0 | Q2 |

TAPE AND REEL BOX DIMENSIONS


*All dimensions are nominal

| Device | Package Type | Package Drawing | Pins | SPQ | Length (mm) | Width (mm) | Height (mm) |
|----------------|--------------|-----------------|------|------|-------------|------------|-------------|
| CC2630F128RGZR | VQFN | RGZ | 48 | 2500 | 336.6 | 336.6 | 31.8 |
| CC2630F128RGZR | VQFN | RGZ | 48 | 2500 | 367.0 | 367.0 | 38.0 |
| CC2630F128RGZT | VQFN | RGZ | 48 | 250 | 210.0 | 185.0 | 35.0 |
| CC2630F128RGZT | VQFN | RGZ | 48 | 250 | 210.0 | 185.0 | 35.0 |
| CC2630F128RHBR | VQFN | RHB | 32 | 3000 | 367.0 | 367.0 | 35.0 |
| CC2630F128RHBT | VQFN | RHB | 32 | 250 | 210.0 | 185.0 | 35.0 |
| CC2630F128RHBT | VQFN | RHB | 32 | 250 | 210.0 | 185.0 | 35.0 |
| CC2630F128RSMR | VQFN | RSM | 32 | 3000 | 367.0 | 367.0 | 35.0 |
| CC2630F128RSMT | VQFN | RSM | 32 | 250 | 210.0 | 185.0 | 35.0 |

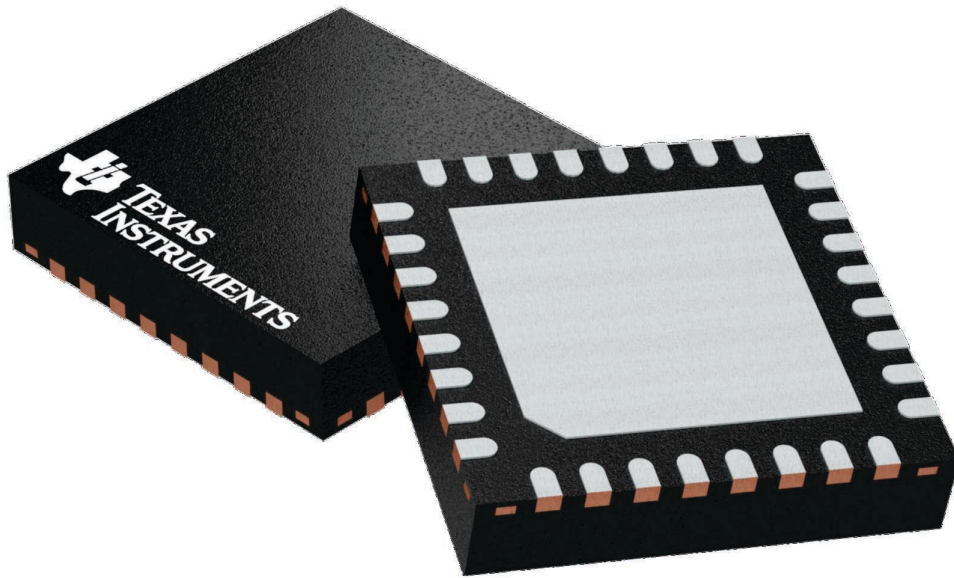
GENERIC PACKAGE VIEW

RHB 32

VQFN - 1 mm max height

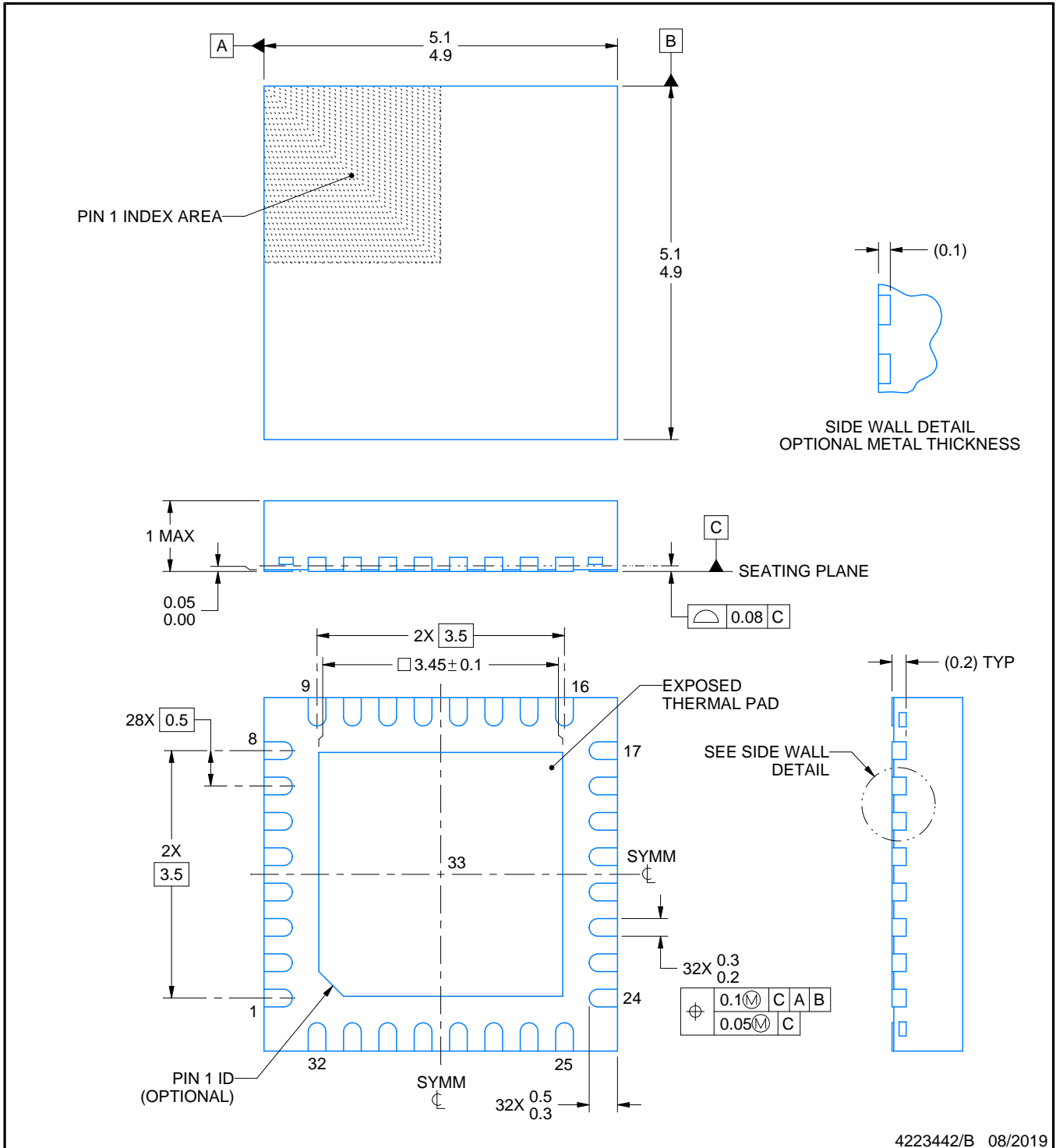
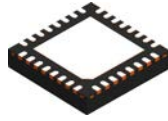
5 x 5, 0.5 mm pitch

PLASTIC QUAD FLATPACK - NO LEAD



Images above are just a representation of the package family, actual package may vary.
Refer to the product data sheet for package details.

4224745/A



4223442/B 08/2019

NOTES:

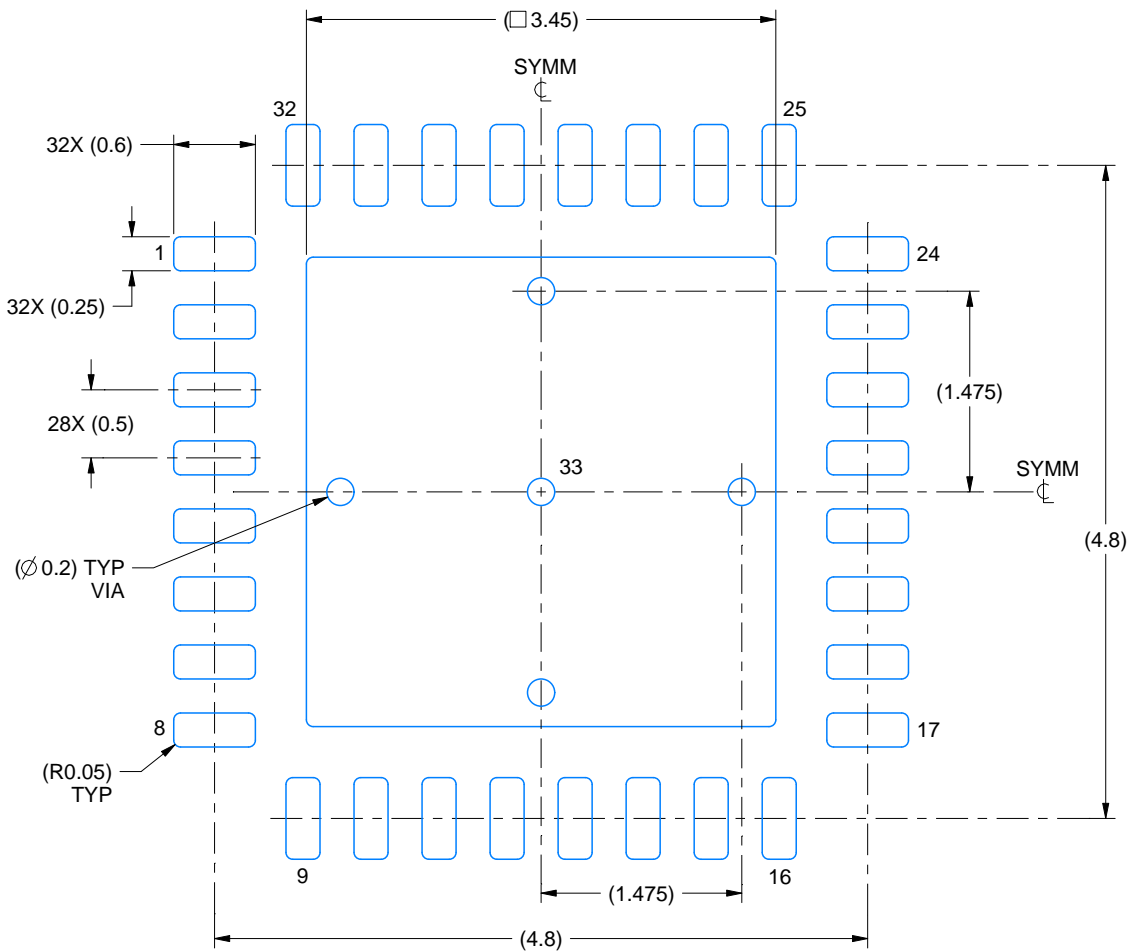
1. All linear dimensions are in millimeters. Any dimensions in parenthesis are for reference only. Dimensioning and tolerancing per ASME Y14.5M.
2. This drawing is subject to change without notice.
3. The package thermal pad must be soldered to the printed circuit board for thermal and mechanical performance.

EXAMPLE BOARD LAYOUT

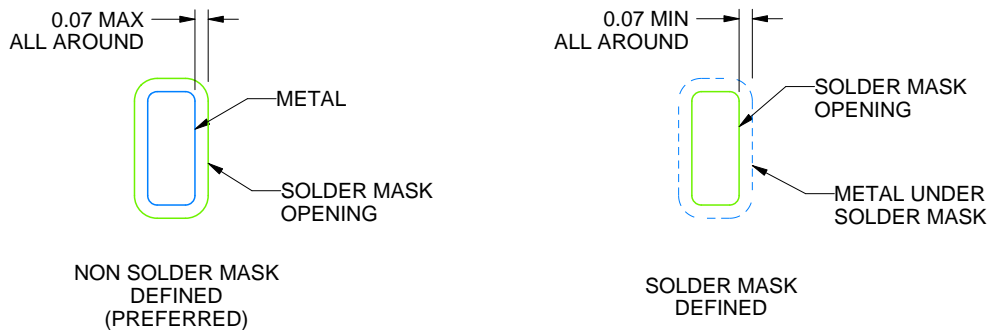
RHB0032E

VQFN - 1 mm max height

PLASTIC QUAD FLATPACK - NO LEAD



LAND PATTERN EXAMPLE
SCALE:18X



SOLDER MASK DETAILS

4223442/B 08/2019

NOTES: (continued)

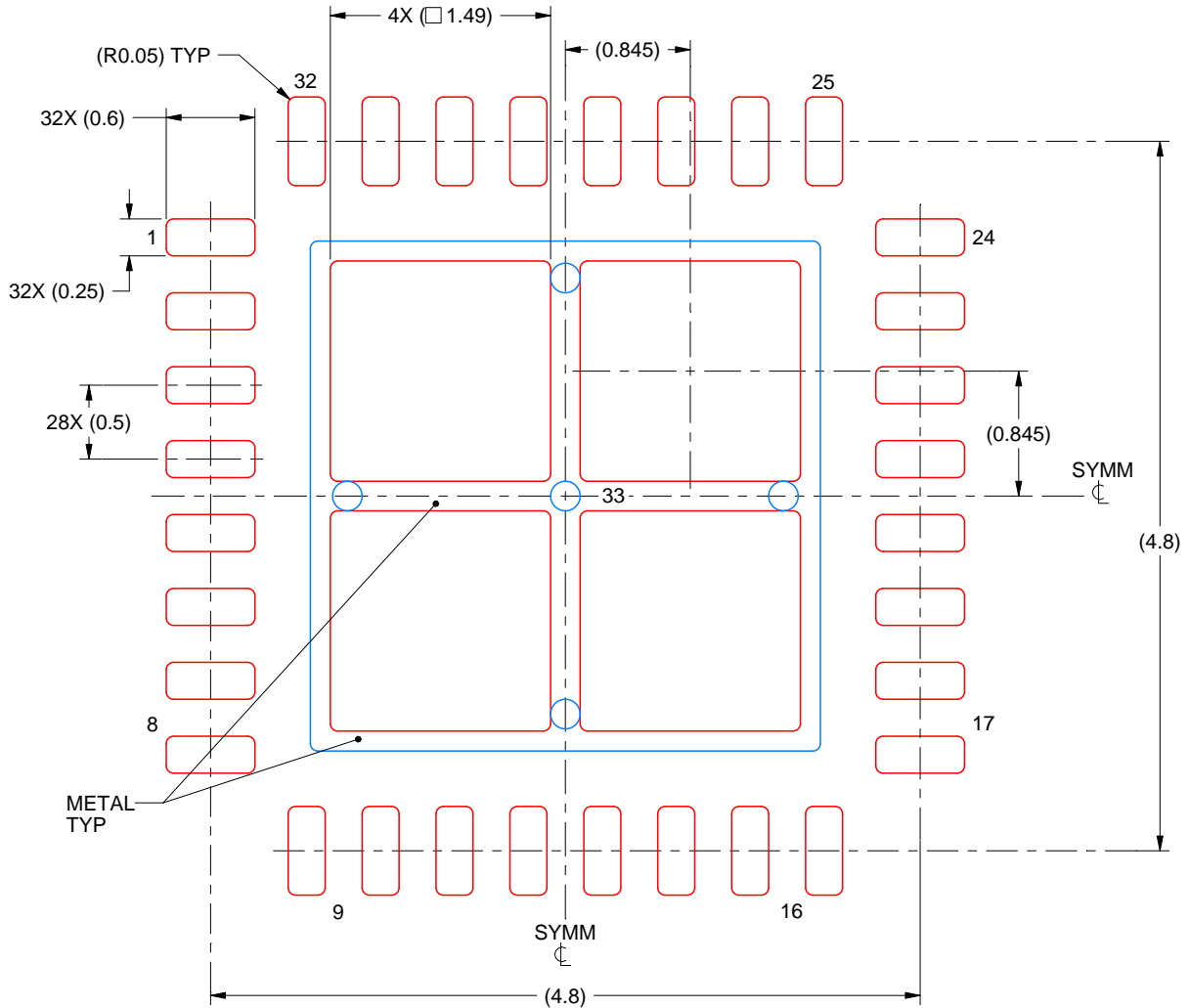
4. This package is designed to be soldered to a thermal pad on the board. For more information, see Texas Instruments literature number SLUA271 (www.ti.com/lit/sluea271).
5. Vias are optional depending on application, refer to device data sheet. If any vias are implemented, refer to their locations shown on this view. It is recommended that vias under paste be filled, plugged or tented.

EXAMPLE STENCIL DESIGN

RHB0032E

VQFN - 1 mm max height

PLASTIC QUAD FLATPACK - NO LEAD



SOLDER PASTE EXAMPLE
BASED ON 0.125 mm THICK STENCIL

EXPOSED PAD 33:
75% PRINTED SOLDER COVERAGE BY AREA UNDER PACKAGE
SCALE:20X

4223442/B 08/2019

NOTES: (continued)

6. Laser cutting apertures with trapezoidal walls and rounded corners may offer better paste release. IPC-7525 may have alternate design recommendations.

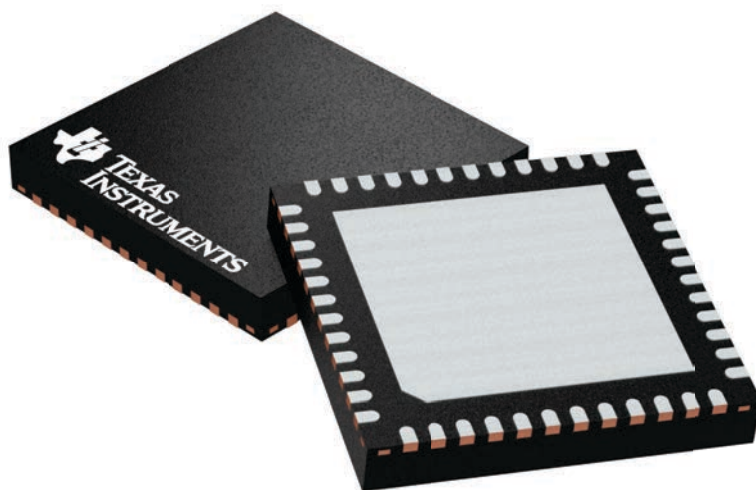
GENERIC PACKAGE VIEW

RGZ 48

VQFN - 1 mm max height

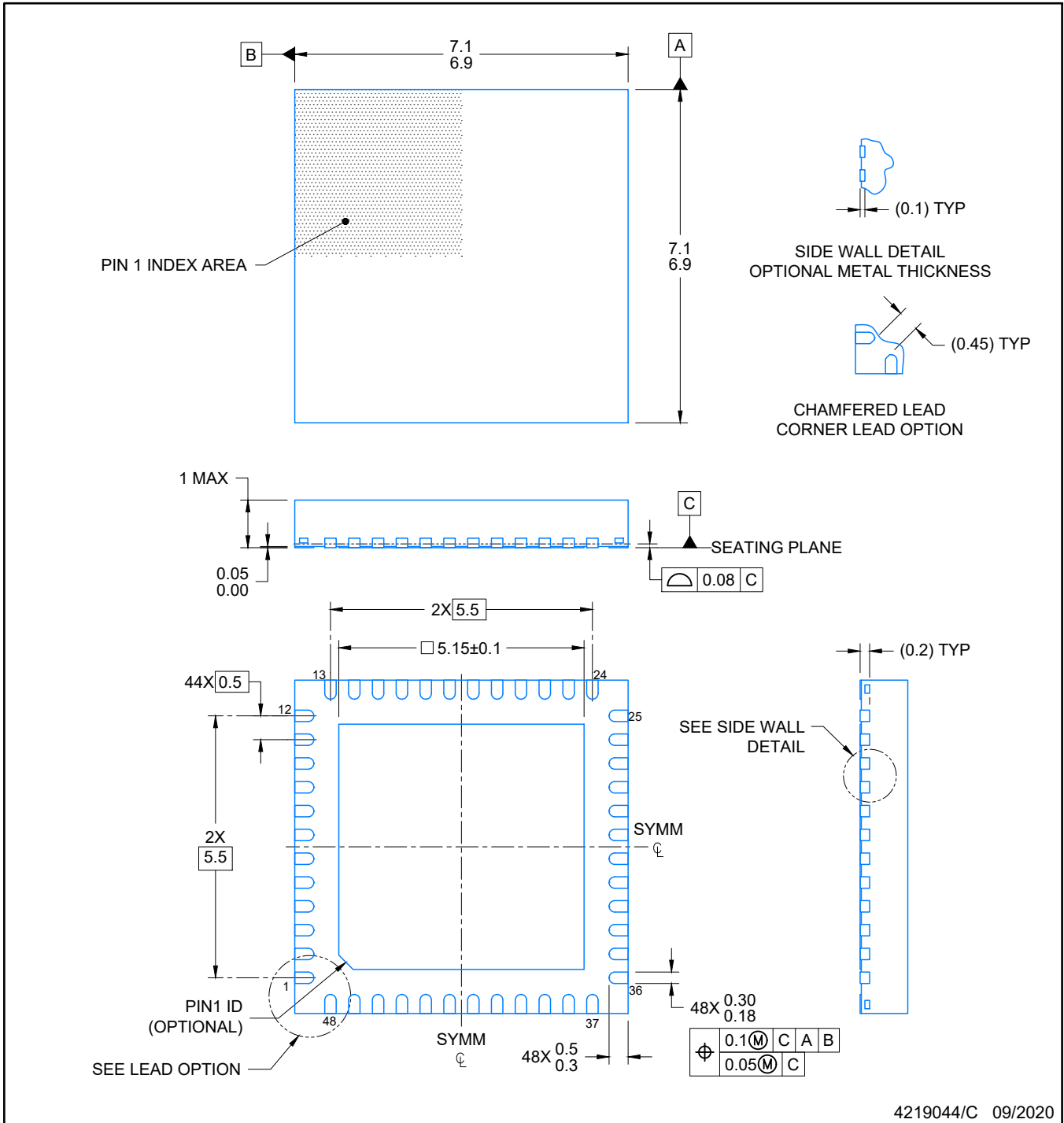
7 x 7, 0.5 mm pitch

PLASTIC QUADFLAT PACK- NO LEAD



Images above are just a representation of the package family, actual package may vary.
Refer to the product data sheet for package details.

4224671/A



NOTES:

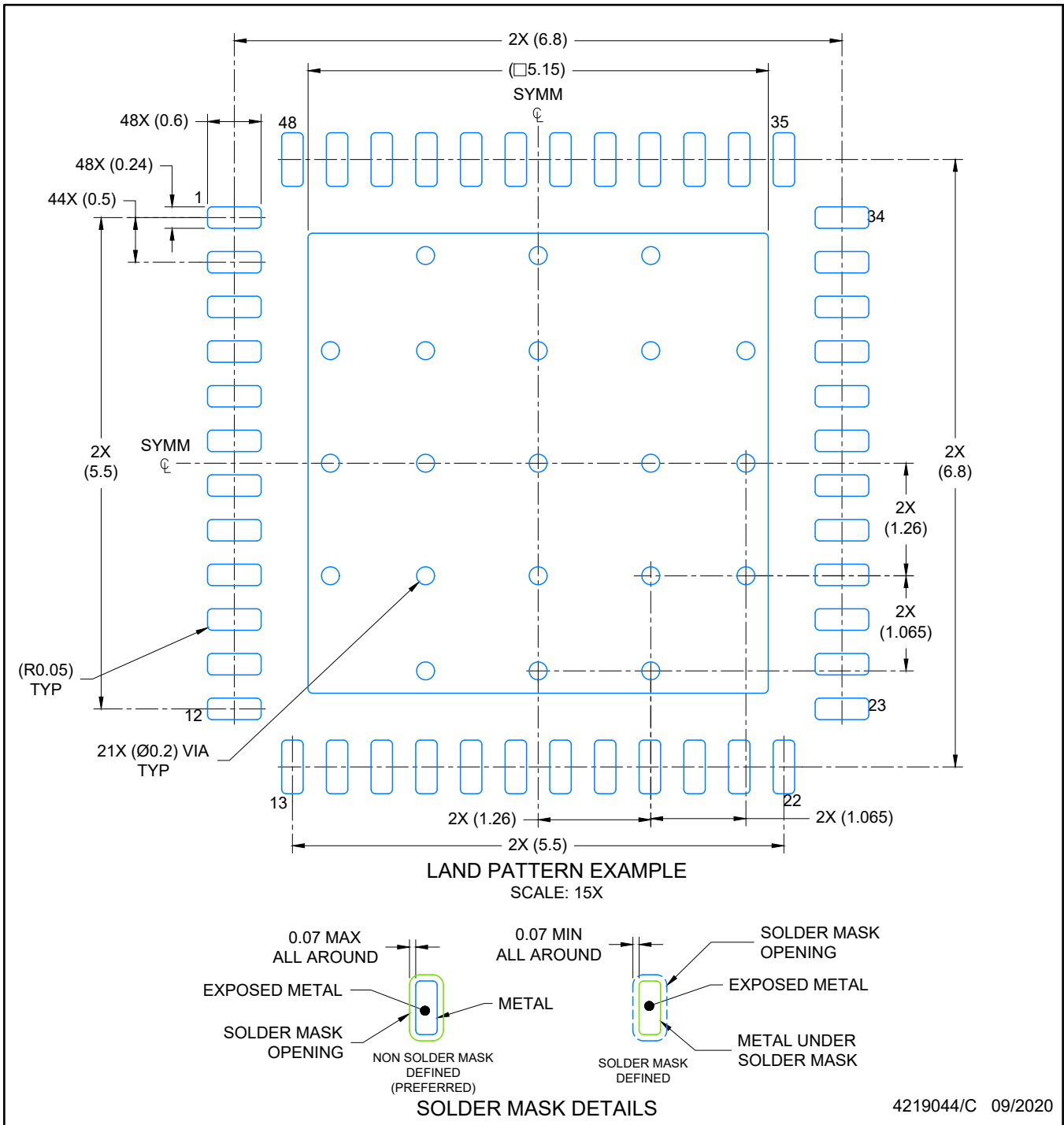
1. All linear dimensions are in millimeters. Any dimensions in parenthesis are for reference only. Dimensioning and tolerancing per ASME Y14.5M.
2. This drawing is subject to change without notice.
3. The package thermal pad must be soldered to the printed circuit board for optimal thermal and mechanical performance.

EXAMPLE BOARD LAYOUT

RGZ0048A

VQFN - 1 mm max height

PLASTIC QUADFLAT PACK- NO LEAD



NOTES: (continued)

- This package is designed to be soldered to a thermal pad on the board. For more information, see Texas Instruments literature number SLUA271 (www.ti.com/lit/slua271).
- Vias are optional depending on application, refer to device data sheet. If any vias are implemented, refer to their locations shown on this view. It is recommended that vias under paste be filled, plugged or tented.

GENERIC PACKAGE VIEW

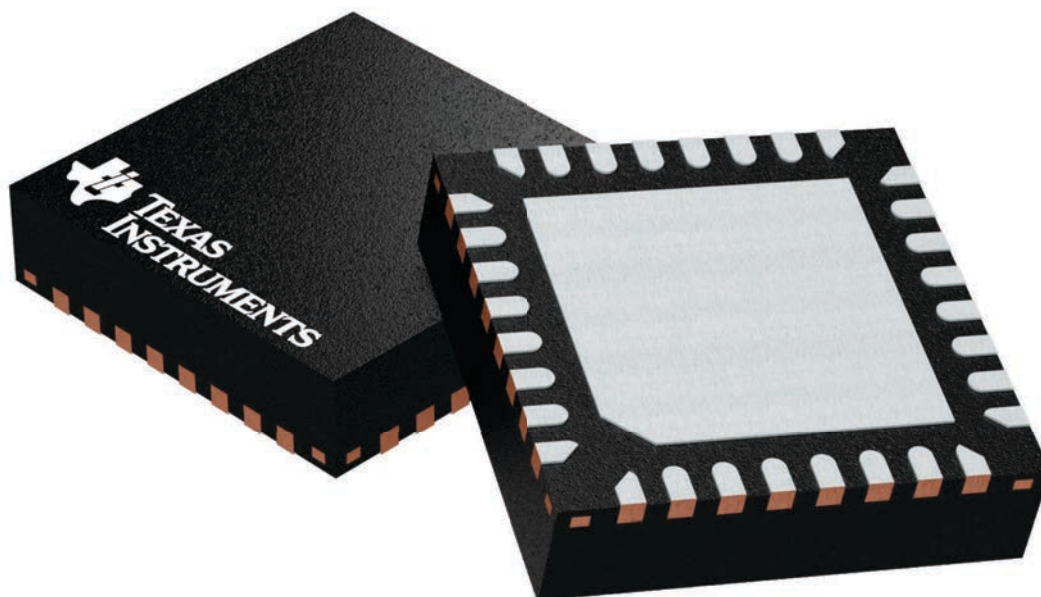
RSM 32

VQFN - 1 mm max height

4 x 4, 0.4 mm pitch

PLASTIC QUAD FLATPACK - NO LEAD

This image is a representation of the package family, actual package may vary.
Refer to the product data sheet for package details.



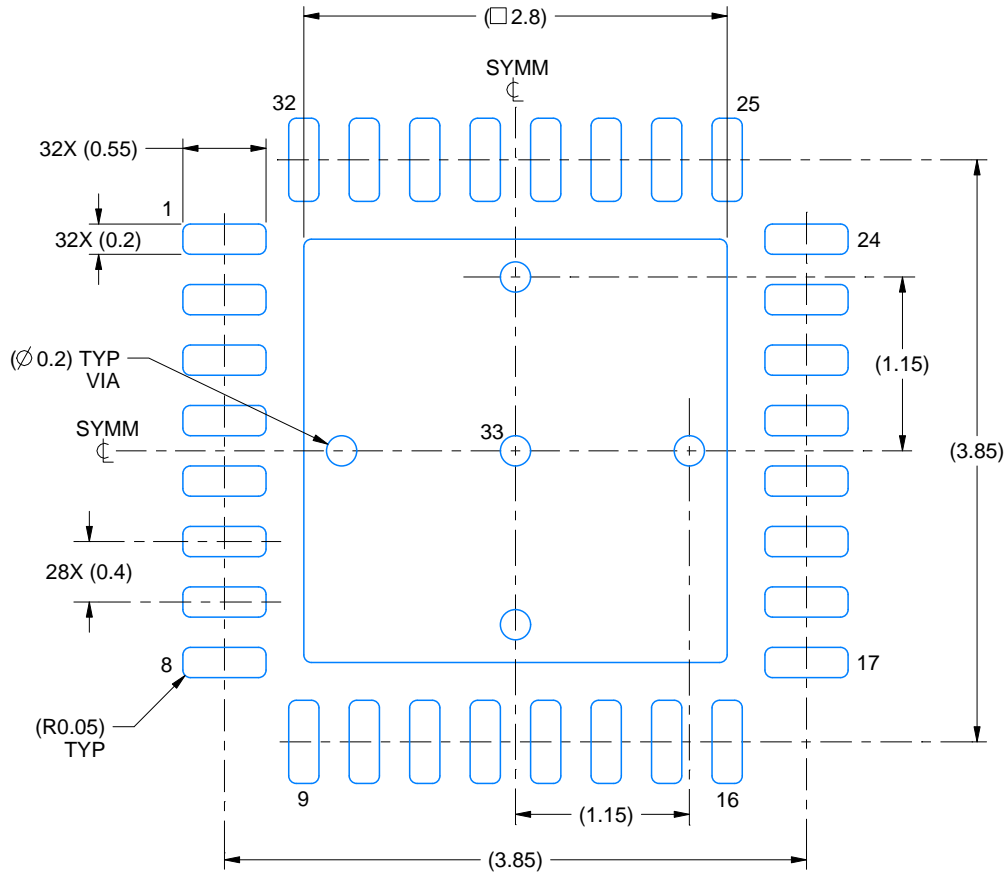
4224982/A

EXAMPLE BOARD LAYOUT

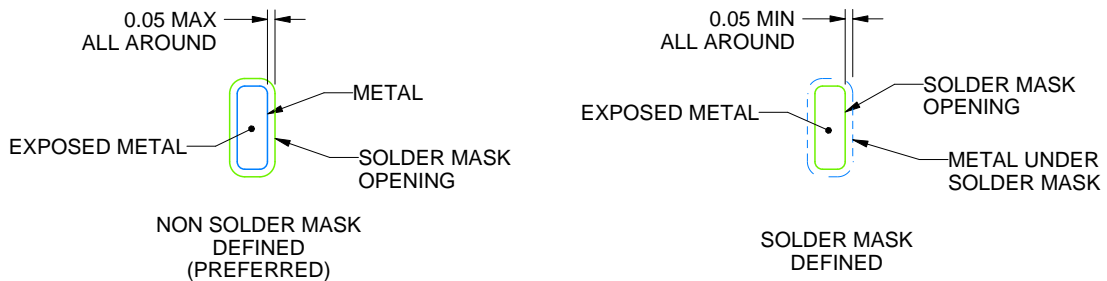
RSM0032B

VQFN - 1 mm max height

PLASTIC QUAD FLATPACK - NO LEAD



LAND PATTERN EXAMPLE
EXPOSED METAL SHOWN
SCALE:20X



SOLDER MASK DETAILS

4219108/B 08/2019

NOTES: (continued)

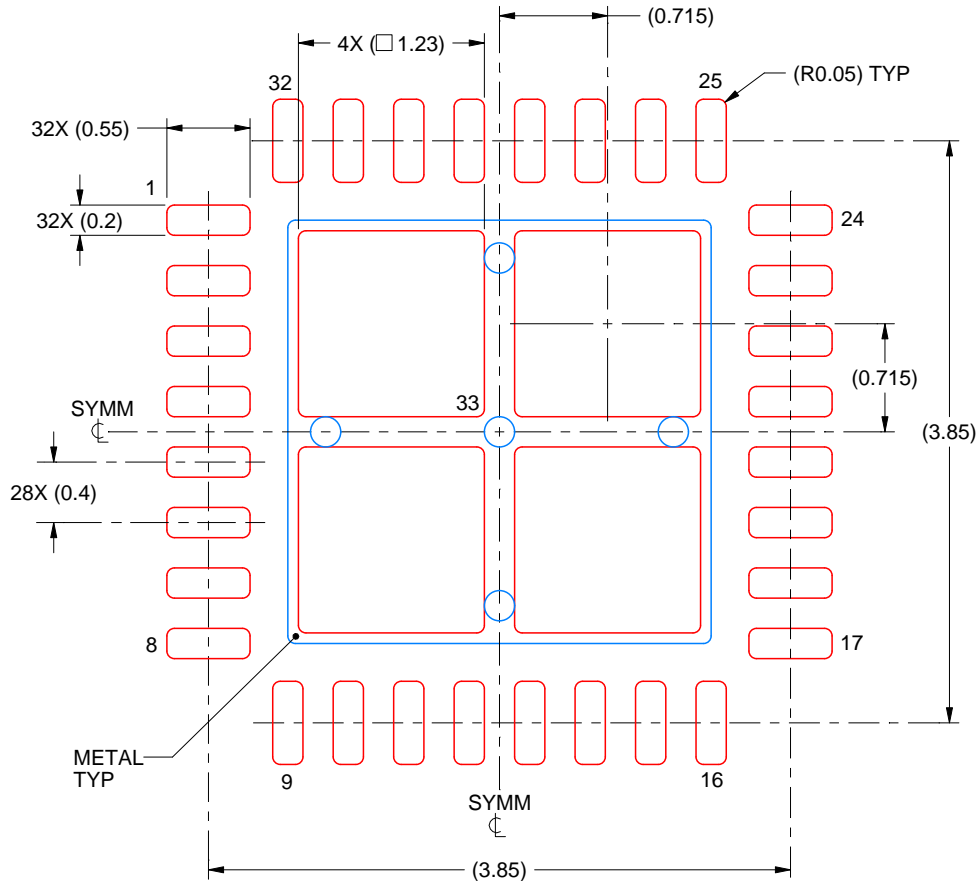
4. This package is designed to be soldered to a thermal pad on the board. For more information, see Texas Instruments literature number SLUA271 (www.ti.com/lit/slue271).
5. Vias are optional depending on application, refer to device data sheet. If any vias are implemented, refer to their locations shown on this view. It is recommended that vias under paste be filled, plugged or tented.

EXAMPLE STENCIL DESIGN

RSM0032B

VQFN - 1 mm max height

PLASTIC QUAD FLATPACK - NO LEAD



SOLDER PASTE EXAMPLE
BASED ON 0.1 mm THICK STENCIL

EXPOSED PAD 33:
77% PRINTED SOLDER COVERAGE BY AREA UNDER PACKAGE
SCALE:20X

4219108/B 08/2019

NOTES: (continued)

6. Laser cutting apertures with trapezoidal walls and rounded corners may offer better paste release. IPC-7525 may have alternate design recommendations.

重要声明和免责声明

TI 均以“原样”提供技术性及其可靠性数据（包括数据表）、设计资源（包括参考设计）、应用或其他设计建议、网络工具、安全信息和其他资源，不保证其中不含任何瑕疵，且不做任何明示或暗示的担保，包括但不限于对适销性、适合某特定用途或不侵犯任何第三方知识产权的暗示担保。

所述资源可供专业开发人员应用TI 产品进行设计使用。您将对以下行为独自承担全部责任：(1) 针对您的应用选择合适的TI 产品；(2) 设计、验证并测试您的应用；(3) 确保您的应用满足相应标准以及任何其他安全、安保或其他要求。所述资源如有变更，恕不另行通知。TI 对您使用所述资源的授权仅限于开发资源所涉及TI 产品的相关应用。除此之外不得复制或展示所述资源，也不提供其它TI 或任何第三方的知识产权授权许可。如因使用所述资源而产生任何索赔、赔偿、成本、损失及债务等，TI 对此概不负责，并且您须赔偿由此对TI 及其代表造成的损害。

TI 所提供产品均受TI 的销售条款 (<http://www.ti.com.cn/zh-cn/legal/termsofsale.html>) 以及ti.com.cn 上或随附TI 产品提供的其他可适用条款的约束。TI 提供所述资源并不扩展或以其他方式更改TI 针对TI 产品所发布的可适用的担保范围或担保免责声明。

邮寄地址：上海市浦东新区世纪大道 1568 号中建大厦 32 楼，邮政编码：200122
Copyright © 2020 德州仪器半导体技术（上海）有限公司