

General Description

KEC Field Stop Trench IGBTs offer low switching losses, high energy efficiency and short circuit ruggedness.

It is designed for applications such as motor control, uninterrupted power supplies(UPS), general inverters.

FEATURES

- High speed switching
- High ruggedness, temperature stable behavior
- Short Circuit Withstand Times 10us
- Extremely enhanced avalanche capability

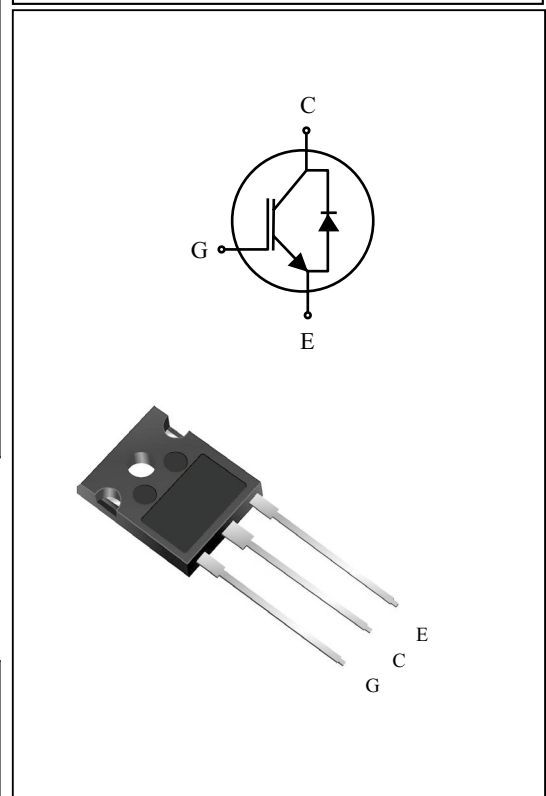
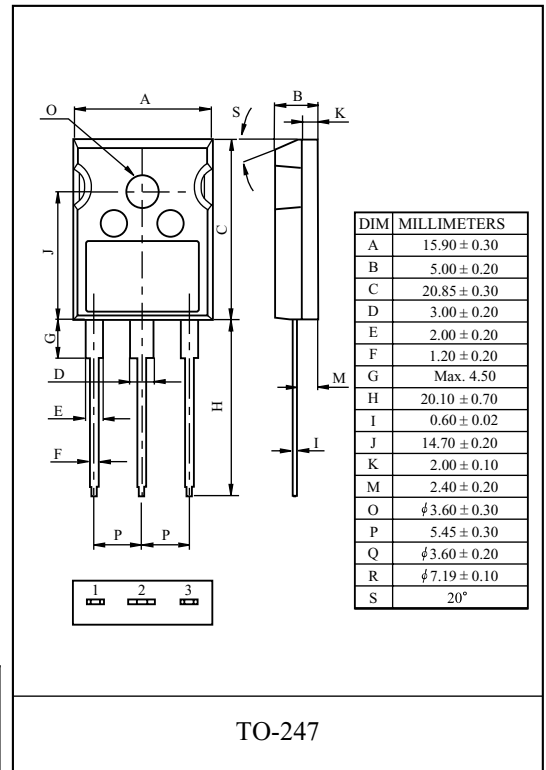
MAXIMUM RATING (Ta=25)

CHARACTERISTIC		SYMBOL	RATING	UNIT
Collector-Emitter Voltage		V_{CES}	650	V
Gate-Emitter Voltage		V_{GES}	± 20	V
Collector Current	@Tc=25	I_C	80	A
	@Tc=100		40	A
Pulsed Collector Current		I_{CM}^*	120	A
Diode Continuous Forward Current	@Tc=100	I_F	40	A
Diode Maximum Forward Current		I_{FM}	80	A
Maximum Power Dissipation	@Tc=25	P_D	208	W
	@Tc=100		104	W
Maximum Junction Temperature		T_j	175	
Storage Temperature Range		T_{stg}	-55 to + 150	

*Repetitive rating : Pulse width limited by max. junction temperature

THERMAL CHARACTERISTIC

CHARACTERISTIC	SYMBOL	MAX.	UNIT
Thermal Resistance, Junction to Case (IGBT)	$R_{th,JC}$	0.72	/W
Thermal Resistance, Junction to Case (DIODE)	$R_{th,JC}$	1.55	/W
Thermal Resistance, Junction to Ambient	$R_{th,JA}$	40	/W



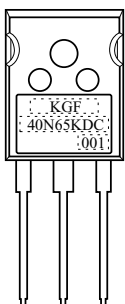
KGF40N65KDC

ELECTRICAL CHARACTERISTICS (Ta=25)

CHARACTERISTIC	SYMBOL	TEST CONDITION	MIN.	TYP.	MAX.	UNIT	
Static							
Collector-Emitter Breakdown Voltage	BV_{CES}	$V_{GE}=0V, I_C=250\mu A$	650	-	-	V	
Collector Cut-off Current	I_{CES}	$V_{GE}=0V, V_{CE}=650V$	-	-	250	μA	
Gate Leakage Current	I_{GES}	$V_{CE}=0V, V_{GE}=\pm 20V$	-	-	± 100	nA	
Gate Threshold Voltage	$V_{GE(th)}$	$V_{GE}=V_{CE}, I_C=4mA$	5.0	6.2	7.5	V	
Collector-Emitter Saturation Voltage	$V_{CE(sat)}$	$V_{GE}=15V, I_C=40A$	-	1.75	2.3	V	
		$V_{GE}=15V, I_C=80A$	-	2.5	-	V	
		$V_{GE}=15V, I_C=40A, T_C = 175$	-	2.2	-	V	
Dynamic							
Total Gate Charge	Q_g	$V_{CC}=300V, V_{GE}=15V, I_C=40A$	-	90	-	nC	
Gate-Emitter Charge	Q_{ge}		-	21	-	nC	
Gate-Collector Charge	Q_{gc}		-	46	-	nC	
Turn-On Delay Time	$t_{d(on)}$	$V_{CC}=300V, I_C=40A, V_{GE}=15V, R_G=10$ Inductive Load, $T_C = 25$ (Note 1)	-	60	-	ns	
Rise Time	t_r		-	30	-	ns	
Turn-Off Delay Time	$t_{d(off)}$		-	110	-	ns	
Fall Time	t_f		-	30	-	ns	
Turn-On Switching Loss	E_{on}		-	0.95	1.24	mJ	
Turn-Off Switching Loss	E_{off}		-	0.55	0.72	mJ	
Total Switching Loss	E_{ts}		-	1.5	1.96	mJ	
Turn-On Delay Time	$t_{d(on)}$		$V_{CC}=300V, I_C=40A, V_{GE}=15V, R_G=10$ Inductive Load, $T_C = 175$ (Note 1)	-	60	-	ns
Rise Time	t_r			-	40	-	ns
Turn-Off Delay Time	$t_{d(off)}$			-	115	-	ns
Fall Time	t_f	-		50	-	ns	
Turn-On Switching Loss	E_{on}	-		1.1	-	mJ	
Turn-Off Switching Loss	E_{off}	-		0.8	-	mJ	
Total Switching Loss	E_{ts}	-		1.9	-	mJ	
Input Capacitance	C_{ies}	$V_{CE}=30V, V_{GE}=0V, f=1MHz$	-	2300	3000	pF	
Output Capacitance	C_{oes}		-	110	-	pF	
Reverse Transfer Capacitance	C_{res}		-	30	-	pF	

Note 1 : Energy loss include tail current and diode reverse recovery.

Marking



- ① Device Mark 1
- ② Device Mark 2
- ③ Lot No

KGF40N65KDC

ELECTRICAL CHARACTERISTIC OF DIODE

CHARACTERISTIC	SYMBOL	TEST CONDITION		MIN.	TYP.	MAX.	UNIT
Diode Forward Voltage	V_F	$I_F = 20A$	$T_C = 25$	-	1.91	2.5	V
			$T_C = 175$	-	1.76	-	
Diode Reverse Recovery Time	t_{rr}		$T_C = 25$	-	97	-	ns
			$T_C = 175$	-	171	-	
Diode Peak Reverse Recovery Current	I_{rr}	$I_F = 20A$ $di/dt = 200A/\mu s$	$T_C = 25$	-	3.9	-	A
			$T_C = 175$	-	4.6	-	
Diode Reverse Recovery Charge	Q_{rr}		$T_C = 25$	-	0.22	-	μC
			$T_C = 175$	-	0.48	-	

Fig 1. Saturation Voltage Characteristics

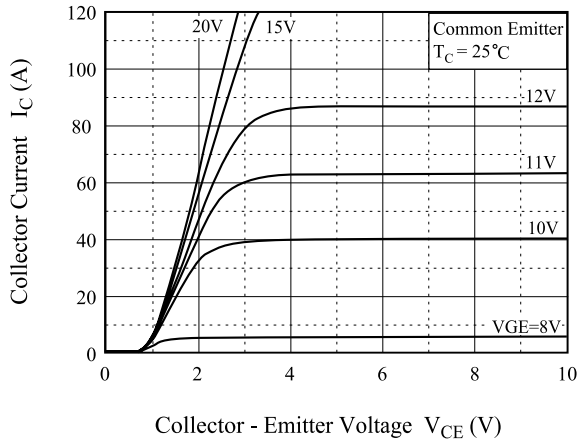


Fig 2. Saturation Voltage Characteristics

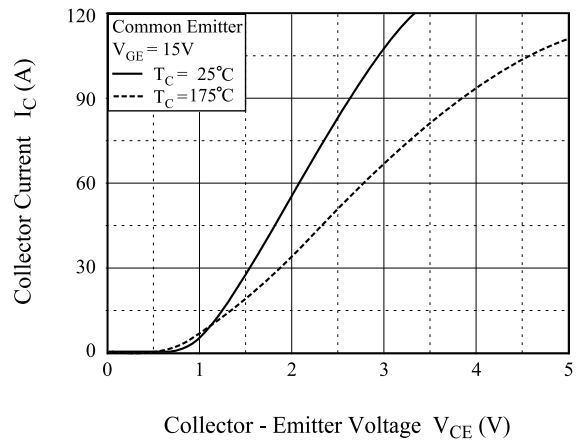


Fig 3. Saturation Voltage vs. Case Temperature

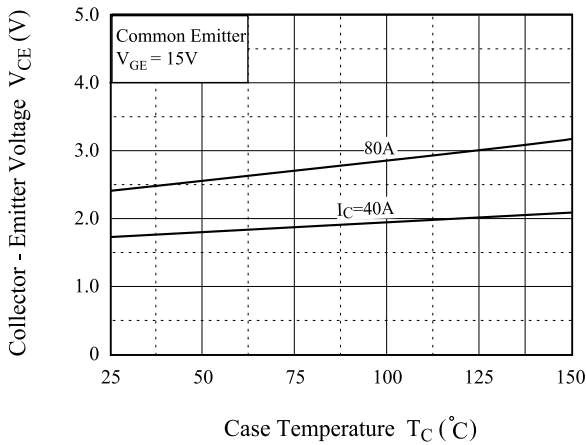


Fig 4. Saturation Voltage vs. V_{GE}

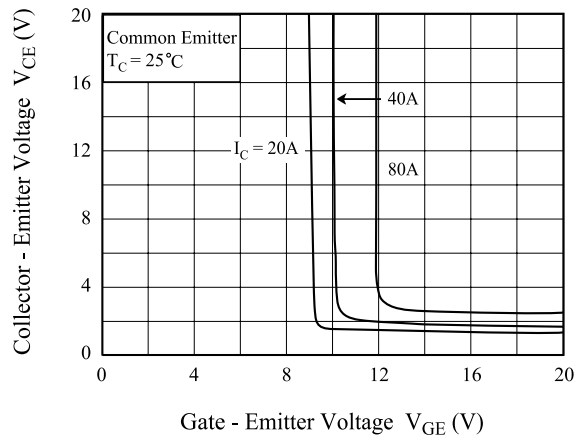


Fig 5. Saturation Voltage vs. V_{GE}

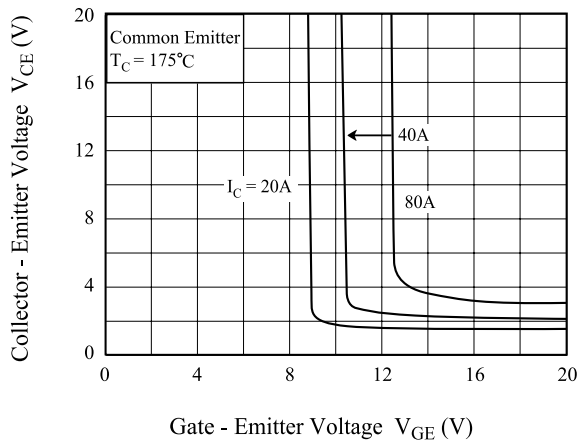


Fig 6. Capacitance Characteristics

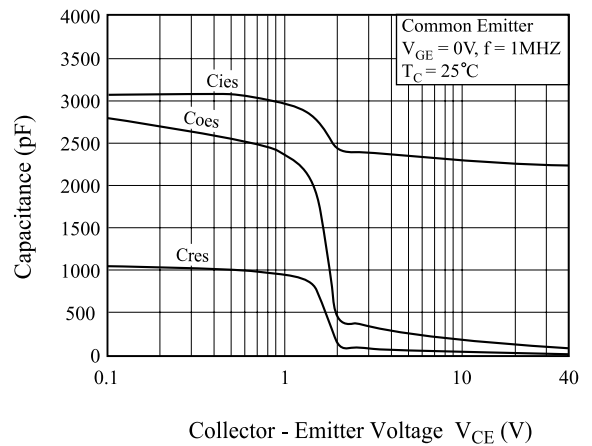


Fig 7. Turn-On Characteristics vs. Gate Resistance

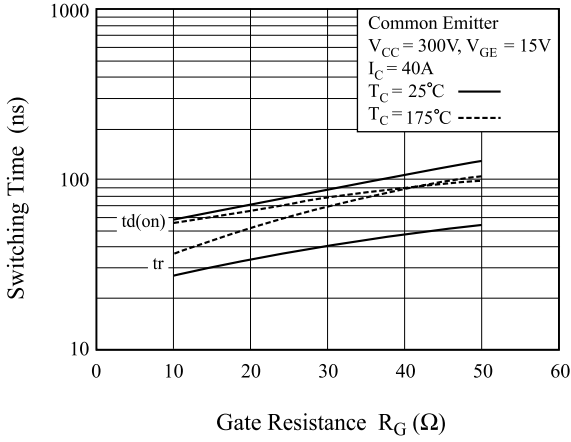


Fig 8. Turn-Off Characteristics vs. Gate Resistance

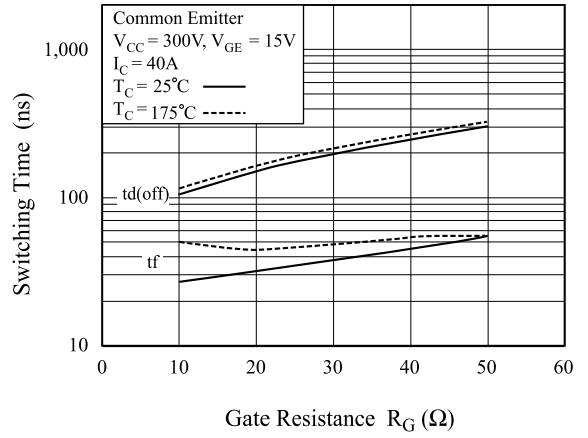


Fig 9. Switching Loss vs. Gate Resistance

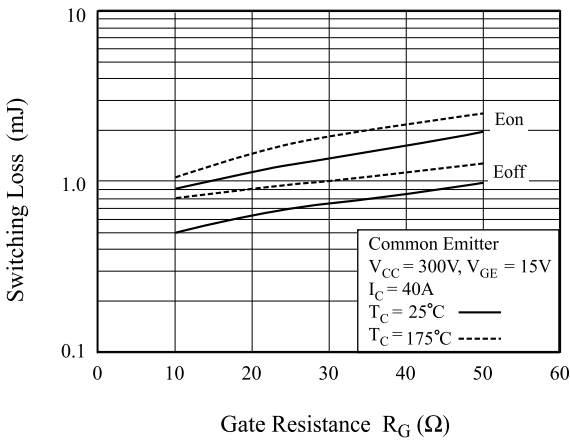


Fig 10. Turn-On Characteristics vs. Collector Current

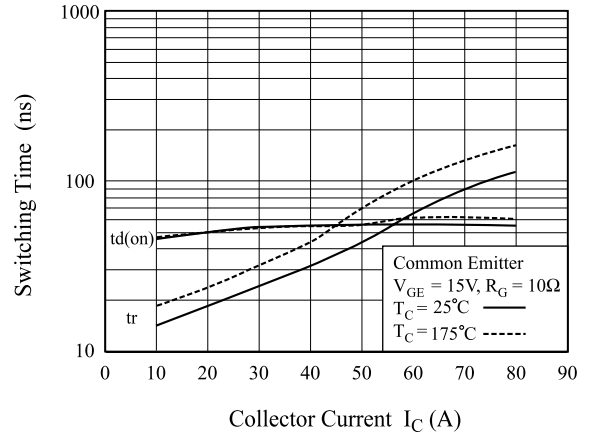


Fig 11. Turn-Off Characteristics vs. Collector Current

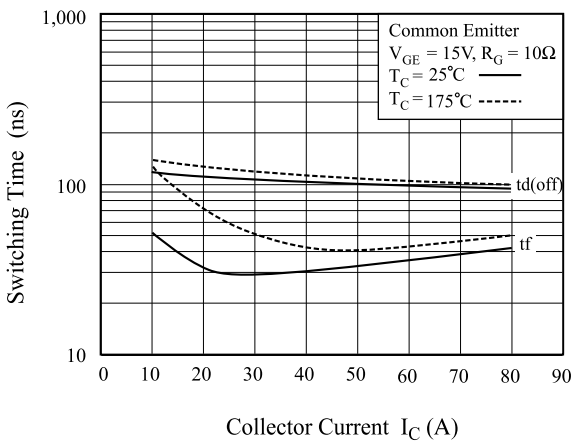


Fig 12. Switching Loss vs. Collector Current

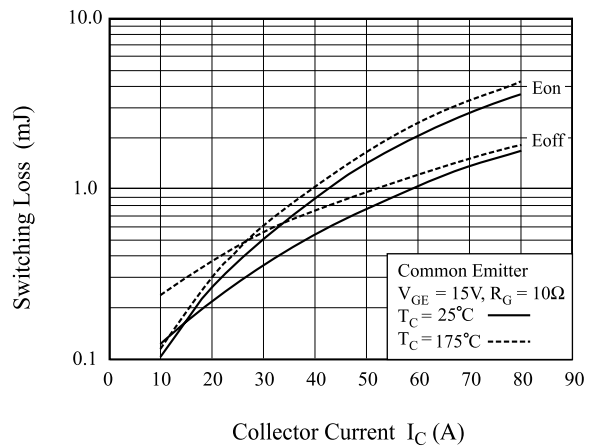


Fig 13. Gate Charge Characteristics

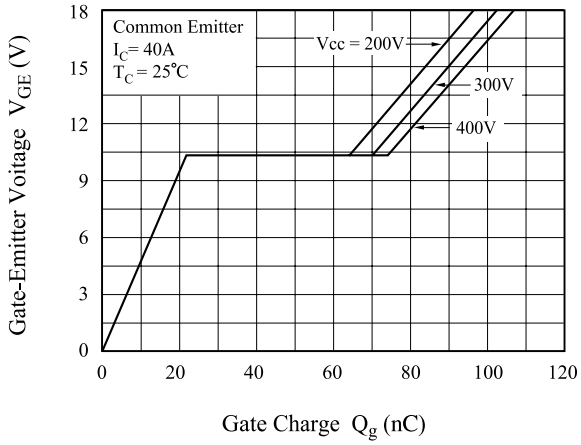


Fig 14. SOA Characteristics

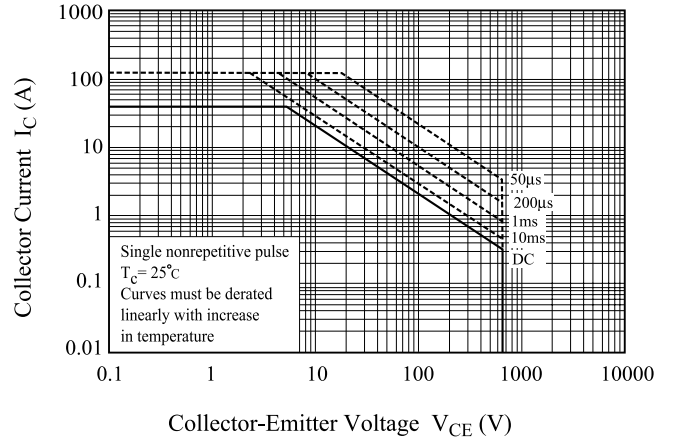


Fig 15. Turn-Off SOA

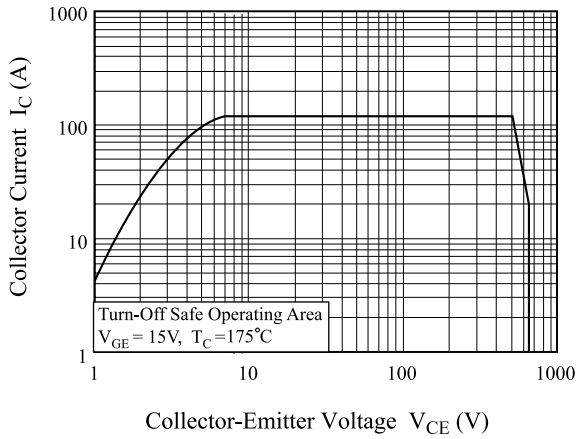


Fig 16. Transient Thermal Impedance of IGBT

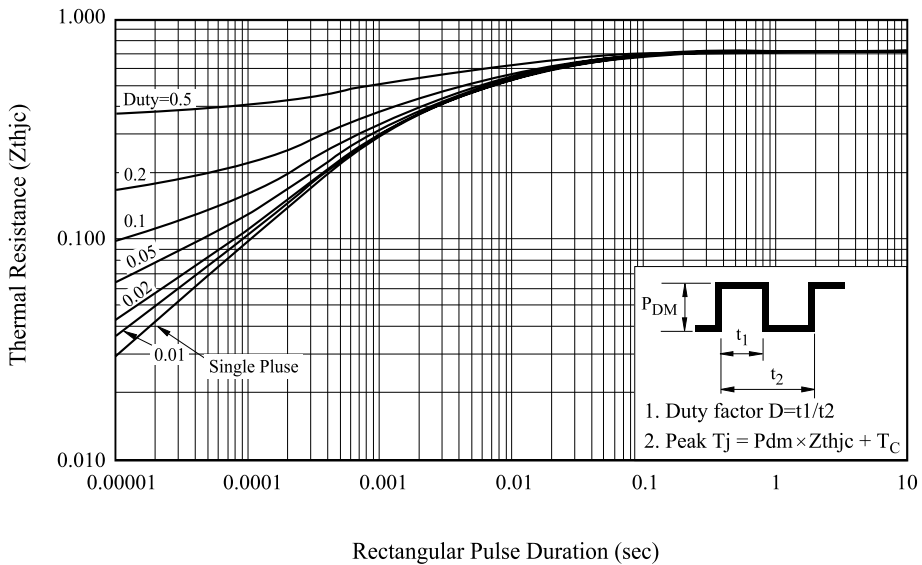


Fig 17. Forward Characteristics

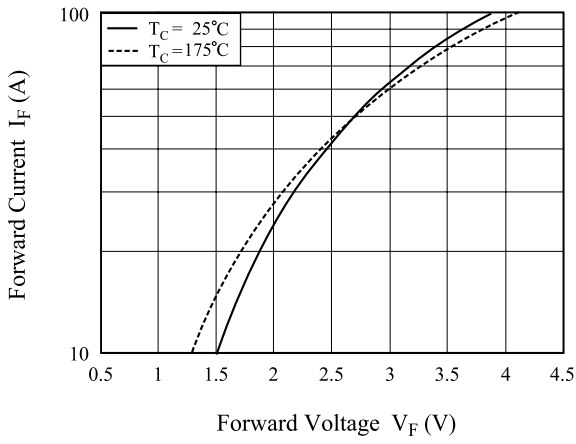


Fig 18. Reverse Recovery Current

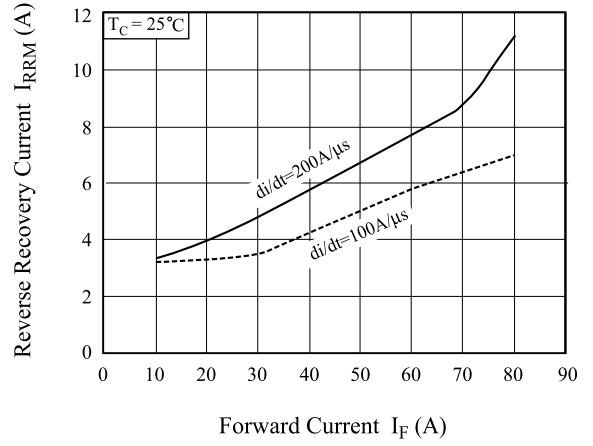


Fig 19. Reverse Recovery Time

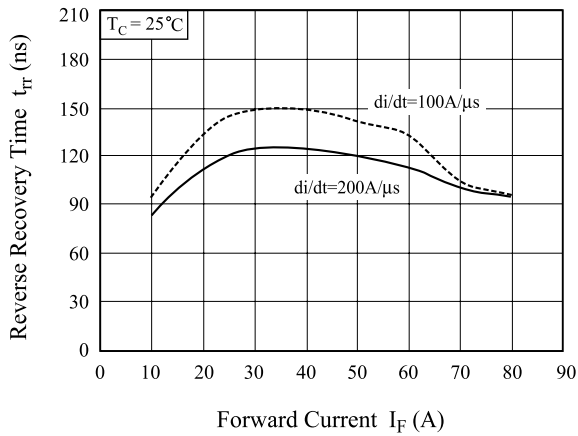


Fig 20. Switching Test Circuit

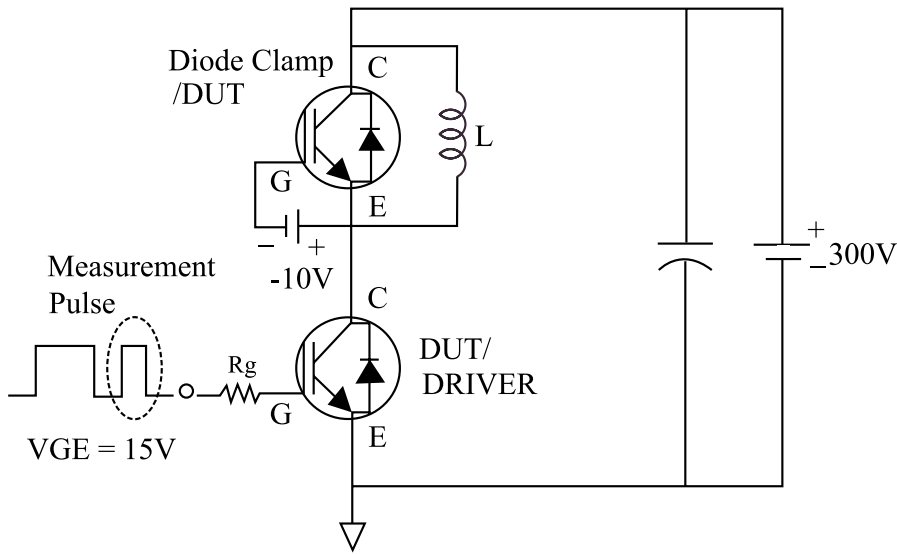


Fig 21. Definition Switching Time & Loss

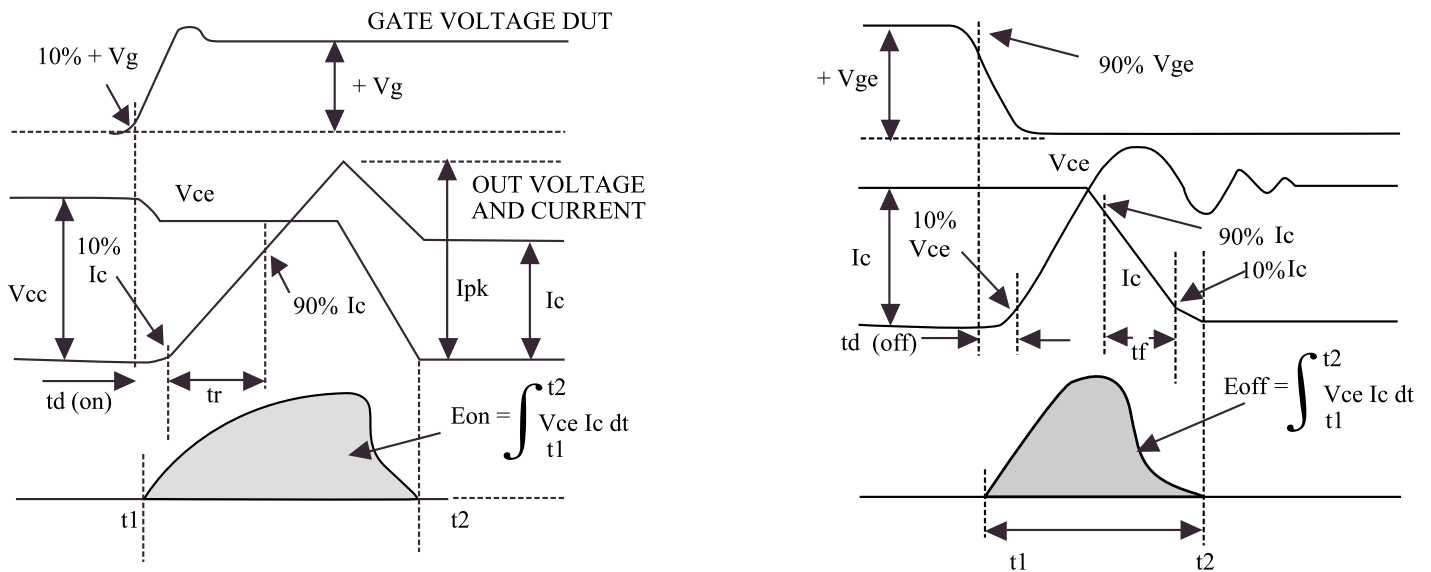


Fig 22. Definition Diode Switching Time

