

Simple Lithium-Ion Battery Charger

Features

- High-Accuracy Charge Voltage: $\pm 0.75\%$ over -5°C to $+60^{\circ}\text{C}$ (Li-ion charging temperature range)
- Zero Off-Mode Current
- 10 μA Reverse Leakage
- Ultra-Low 380 mV Dropout at 500 mA
- Wide Input Voltage Range
- Logic-Controlled Enable Input (8-Lead Devices Only)
- Thermal Shutdown and Current-Limit Protection
- Power MSOP-8, Power SOIC-8, and SOT-223 Packages
- Pulse Charging Capability

Applications

- Li-Ion Battery Charger
- Cellular Phones
- Palmtop Computers
- PDAs
- Self-Charging Battery Packs

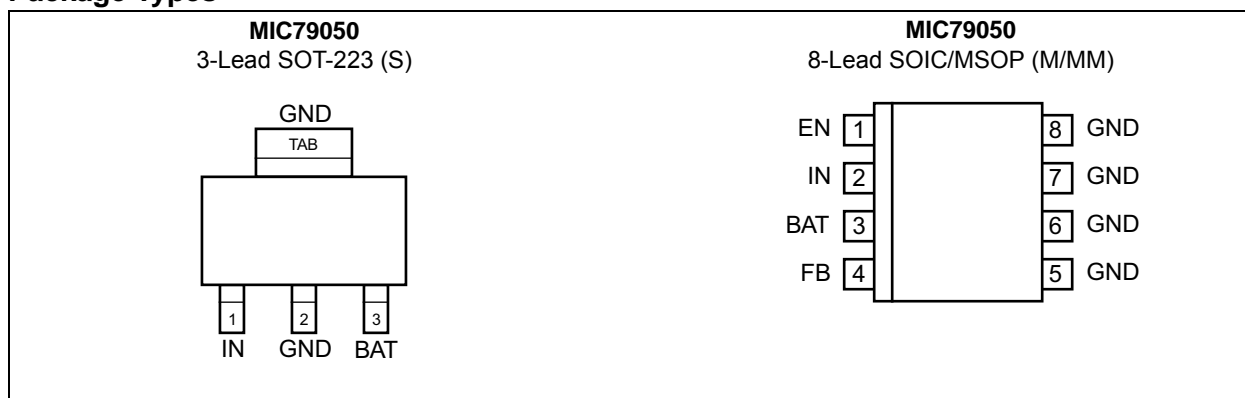
General Description

The MIC79050 is a simple single-cell lithium-ion battery charger. It includes an on-chip pass transistor for high precision charging. Featuring ultra-high precision ($\pm 0.75\%$ over the Li-ion battery charging temperature range) and “zero” off-mode current, the MIC79050 provides a very simple, cost effective solution for charging lithium-ion battery.

Other features of the MIC79050 include current-limit and thermal shutdown protection. In the event the input voltage to the charger is disconnected, the MIC79050 also provides minimal reverse-current and reversed-battery protection.

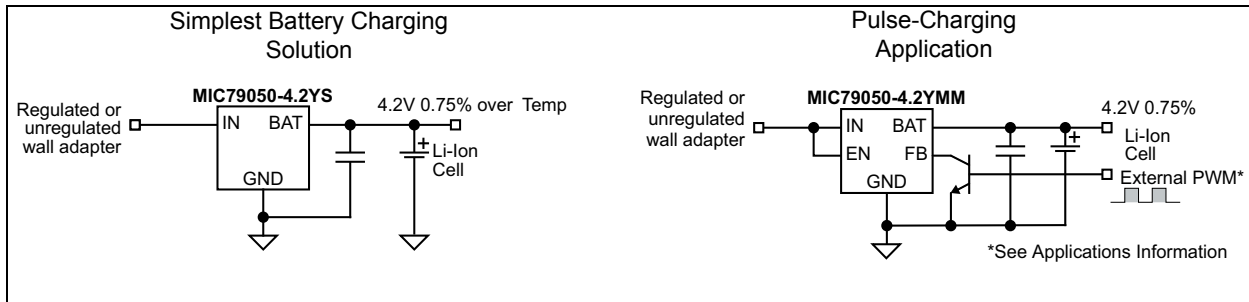
The MIC79050 is a fixed 4.2V device and comes in the thermally-enhanced MSOP-8, SOIC-8, and SOT-223 packages. The 8-lead versions also come equipped with enable and feedback inputs. All versions are specified over the temperature range of -40°C to $+125^{\circ}\text{C}$.

Package Types

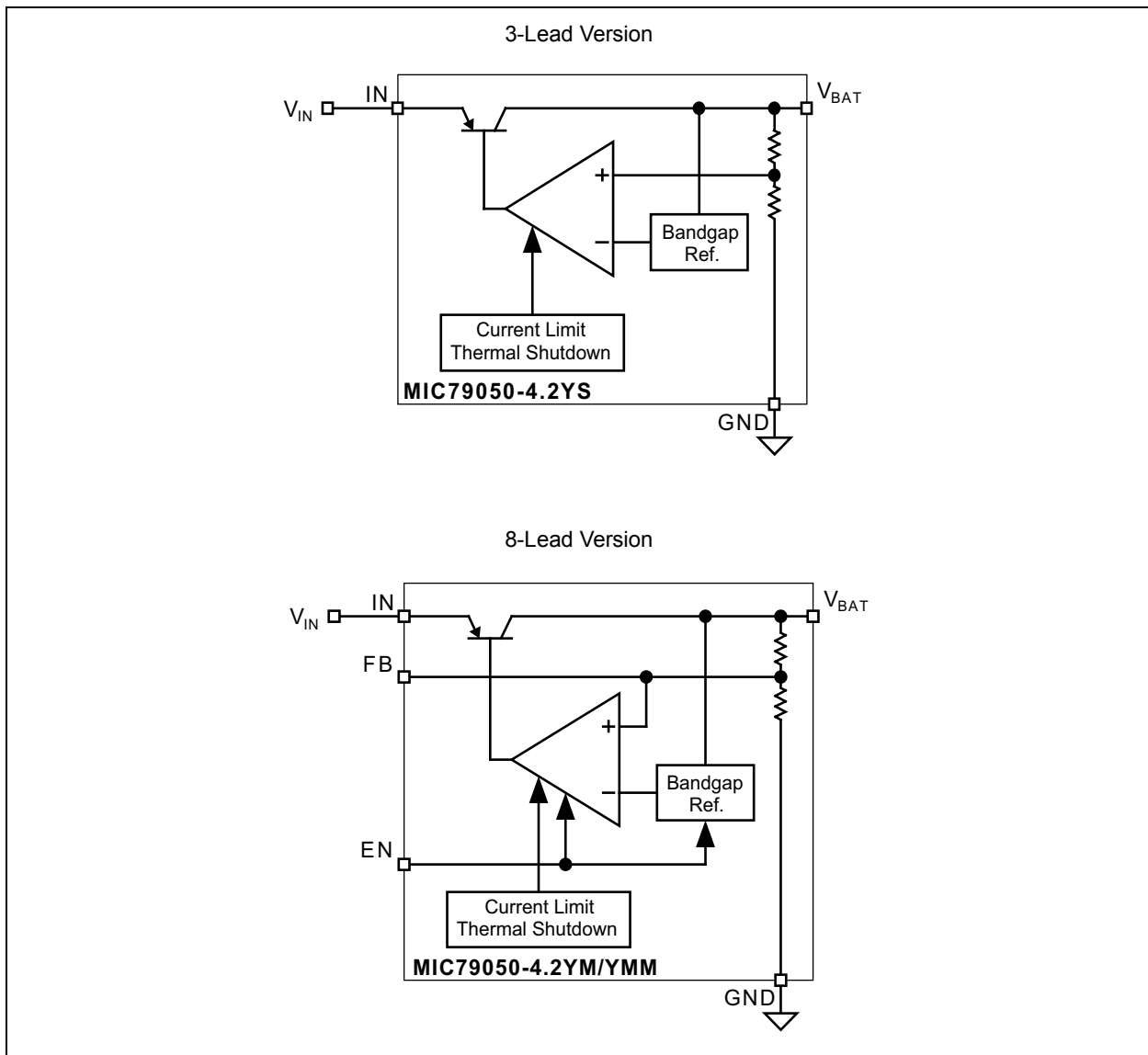


MIC79050

Typical Application Circuits



Functional Block Diagrams



1.0 ELECTRICAL CHARACTERISTICS

Absolute Maximum Ratings †

Supply Input Voltage (V_{IN})	-20V to +20V
Power Dissipation (P_D) (Note 1)	Internally Limited

Operating Ratings ‡

Supply Input Voltage (V_{IN})	+2.5V to +16V
Enable Input Voltage (V_{EN})	0V to V_{IN}

† **Notice:** Stresses above those listed under “Absolute Maximum Ratings” may cause permanent damage to the device. This is a stress rating only and functional operation of the device at those or any other conditions above those indicated in the operational sections of this specification is not intended. Exposure to maximum rating conditions for extended periods may affect device reliability.

‡ **Notice:** The device is not guaranteed to function outside its operating ratings.

Note 1: The maximum allowable power dissipation at any T_A (ambient temperature) is calculated using: $P_{D(max)} = (T_{J(max)} - T_A) \div \theta_{JA}$. Exceeding the maximum allowable power dissipation will result in excessive die temperature, and the regulator will go into thermal shutdown.

TABLE 1-1: ELECTRICAL CHARACTERISTICS

Electrical Characteristics: $V_{IN} = V_{BAT} + 1.0V$; $C_{OUT} = 4.7 \mu F$, $I_{OUT} = 100 \mu A$; $T_J = +25^\circ C$, **bold** values indicate $-40^\circ C \leq T_J \leq +125^\circ C$; unless noted.

Parameter	Symbol	Min.	Typ.	Max.	Units	Conditions
Battery Voltage Accuracy	V_{BAT}	-0.75	—	0.75	%	Variation from nominal V_{OUT} , $-5^\circ C$ to $+60^\circ C$
Battery Voltage Temperature Coefficient	$\Delta V_{BAT} / \Delta T$	—	40	—	ppm/ $^\circ C$	Note 1
Line Regulation	$\Delta V_{BAT} / V_{BAT}$	—	0.009	0.05	%/V	$V_{IN} = V_{BAT} + 1V$ to 16V
		—	—	0.1		
Load Regulation	$\Delta V_{BAT} / V_{BAT}$	—	0.05	0.5	%	$I_{OUT} = 100 \mu A$ to 500 mA, Note 2
		—	—	0.7		
Dropout Voltage (Note 3)	$V_{IN} - V_{BAT}$	—	380	500	mV	$I_{OUT} = 500 mA$
		—	—	600		
Ground Pin Current (Note 4, Note 5)	I_{GND}	—	85	130	μA	$V_{EN} \geq 3.0V$, $I_{OUT} = 100 \mu A$
		—	—	170		
		—	11	20	mA	$V_{EN} \geq 3.0V$, $I_{OUT} = 500 mA$
		—	—	25		
Ground Pin Quiescent Current (Note 5)	I_{GND}	—	0.05	3	μA	$V_{EN} \leq 0.4V$ (shutdown)
		—	0.10	8		$V_{EN} \leq 0.18V$ (shutdown)
Ripple Rejection	PSRR	—	75	—	dB	$f = 120 Hz$
Current Limit	I_{LIMIT}	—	750	900	mA	$V_{BAT} = 0V$
		—	—	1000		
Thermal Regulation	$\Delta V_{BAT} / \Delta P_D$	—	0.05	—	%/W	Note 6
ENABLE Input						
Enable Input Logic-Low Voltage	V_{ENL}	—	0.4	—	V	$V_{EN} = \text{logic-low}$ (shutdown)
		—	—	0.18		$V_{EN} = \text{logic-high}$ (enabled)
		2.0	—	—		

MIC79050

TABLE 1-1: ELECTRICAL CHARACTERISTICS (CONTINUED)

Electrical Characteristics: $V_{IN} = V_{BAT} + 1.0V$; $C_{OUT} = 4.7 \mu F$; $I_{OUT} = 100 \mu A$; $T_J = +25^\circ C$, **bold** values indicate $-40^\circ C \leq T_J \leq +125^\circ C$; unless noted.

Parameter	Symbol	Min.	Typ.	Max.	Units	Conditions
Enable Input Current	I_{ENL}	—	0.01	-1	μA	$V_{ENL} \leq 0.4V$ (shutdown)
		—	0.01	-2		$V_{ENL} \leq 0.18V$ (shutdown)
—	I_{ENH}	—	5	20	μA	$V_{ENH} \geq 2.0V$ (enabled)
		—	—	25		

- Note 1:** Battery voltage temperature coefficient is the worst case voltage change divided by the total temperature range.
- 2:** Regulation is measured at constant junction temperature using low duty cycle pulse testing. Parts are tested for load regulation in the load range from 100 μA to 500 mA. Changes in output voltage due to heating effects are covered by the thermal regulation specification.
- 3:** Dropout voltage is defined as the input to battery output differential at which the battery voltage drops 2% below its nominal value measured at 1V differential.
- 4:** Ground pin current is the charger quiescent current plus pass transistor base current. The total current drawn from the supply is the sum of the load current plus the ground pin current.
- 5:** V_{EN} is the voltage externally applied to devices with the EN (enable) input pin. MSOP-8 (MM) and SOIC-8 (M) packages only.
- 6:** Thermal regulation is the change in battery voltage at a time “t” after a change in power dissipation is applied, excluding load or line regulation effects. Specifications are for a 500 mA load pulse at $V_{IN} = 16V$ for $t = 10$ ms.

TEMPERATURE SPECIFICATIONS (Note 1)

Parameters	Sym.	Min.	Typ.	Max.	Units	Conditions
Temperature Ranges						
Junction Operating Temperature Range	T_J	-40	—	+125	°C	—
Storage Temperature Range	T_S	-65	—	+150	°C	—
Lead Temperature	—	—	—	+260	°C	Soldering, 5s
Package Thermal Resistances (Note 2)						
Thermal Resistance MSOP-8	θ_{JA}	—	80	—	°C/W	—
Thermal Resistance SOIC-8	θ_{JA}	—	63	—	°C/W	—
Thermal Resistance SOT-223	θ_{JC}	—	15	—	°C/W	—
	θ_{JA}	—	62	—	°C/W	—

- Note 1:** The maximum allowable power dissipation is a function of ambient temperature, the maximum allowable junction temperature and the thermal resistance from junction to air (i.e., T_A , T_J , θ_{JA}). Exceeding the maximum allowable power dissipation will cause the device operating junction temperature to exceed the maximum +125°C rating. Sustained junction temperatures above +125°C can impact the device reliability.
- 2:** The maximum allowable power dissipation at any T_A (ambient temperature) is calculated using: $P_{D(max)} = (T_{J(max)} - T_A) \div \theta_{JA}$. Exceeding the maximum allowable power dissipation will result in excessive die temperature, and the regulator will go into thermal shutdown.

MIC79050

2.0 TYPICAL PERFORMANCE CURVES

Note: The graphs and tables provided following this note are a statistical summary based on a limited number of samples and are provided for informational purposes only. The performance characteristics listed herein are not tested or guaranteed. In some graphs or tables, the data presented may be outside the specified operating range (e.g., outside specified power supply range) and therefore outside the warranted range.

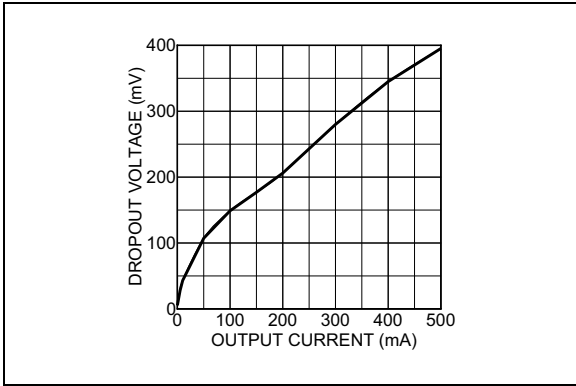


FIGURE 2-1: *Dropout Voltage vs. Output Current.*

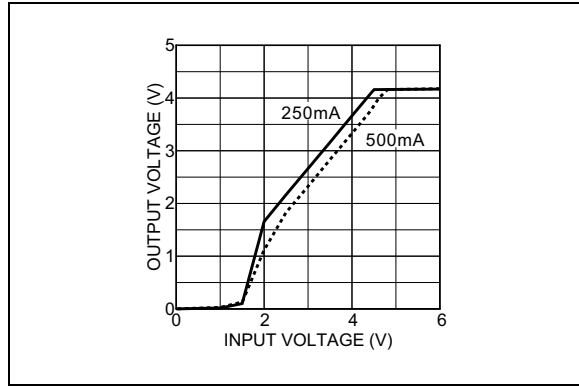


FIGURE 2-4: *Dropout Characteristics.*

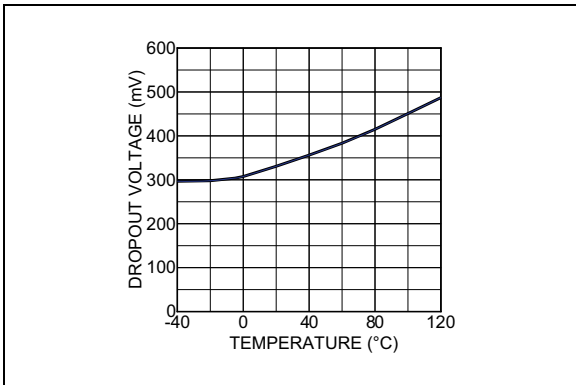


FIGURE 2-2: *Dropout Voltage vs. Temperature.*

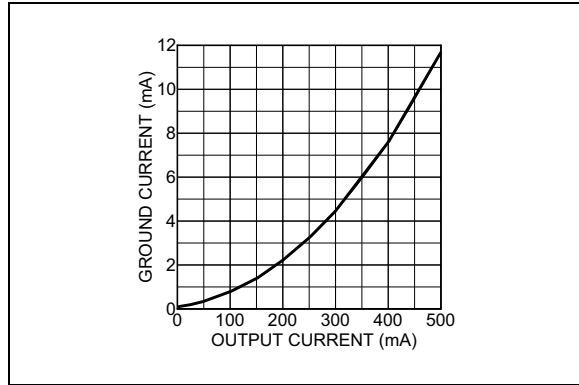


FIGURE 2-5: *Output Current vs. Ground Current.*

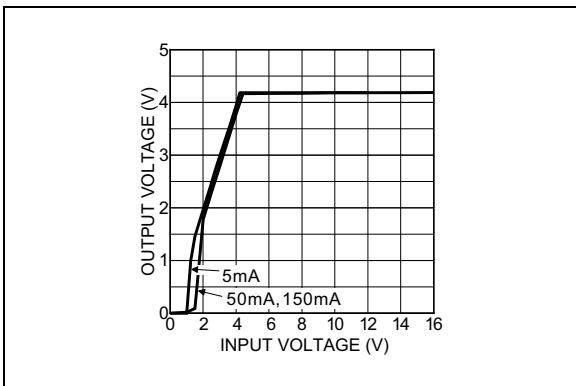


FIGURE 2-3: *Dropout Characteristics.*

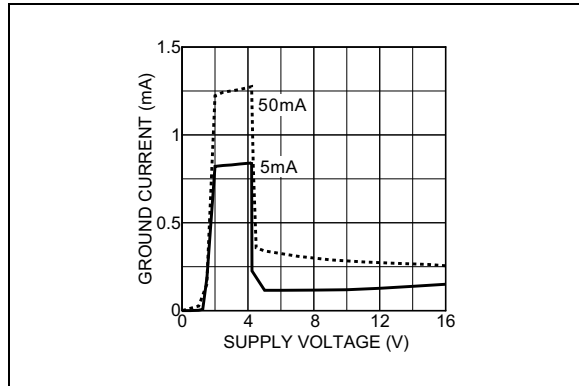


FIGURE 2-6: *Ground Current vs. Supply Voltage.*

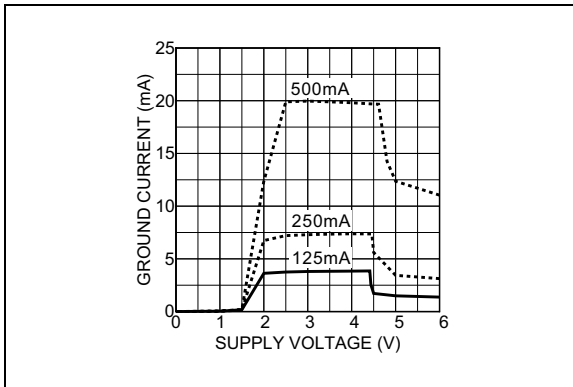


FIGURE 2-7: Ground Current vs. Supply Voltage.

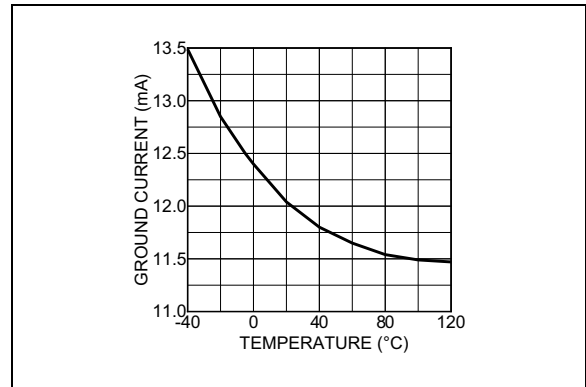


FIGURE 2-10: Ground Current vs. Temperature.

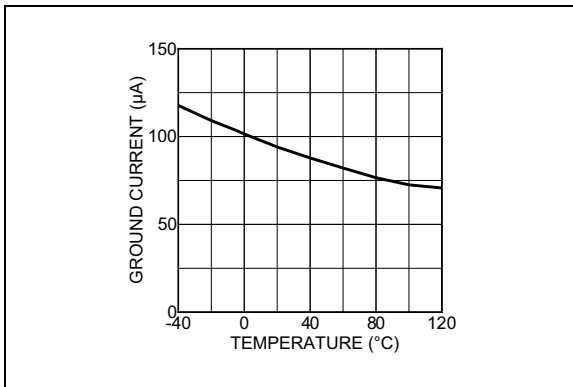


FIGURE 2-8: Ground Current vs. Temperature.

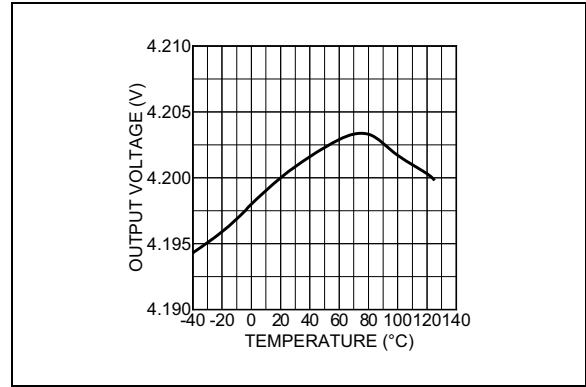


FIGURE 2-11: Battery Voltage vs. Temperature.

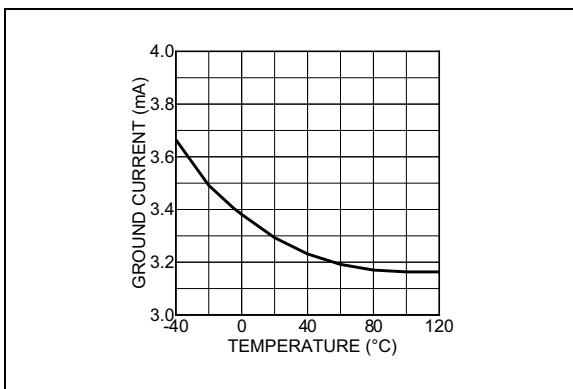


FIGURE 2-9: Ground Current vs. Temperature.

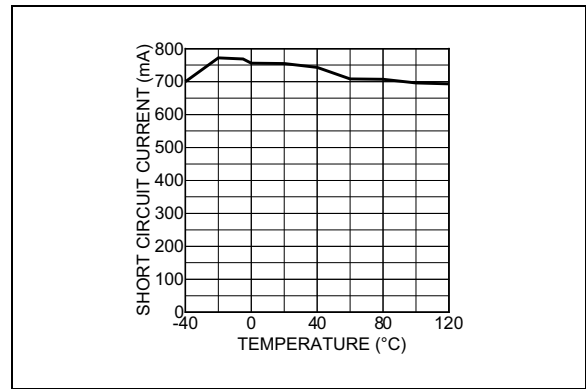


FIGURE 2-12: Short-Circuit Current vs. Temperature.

MIC79050

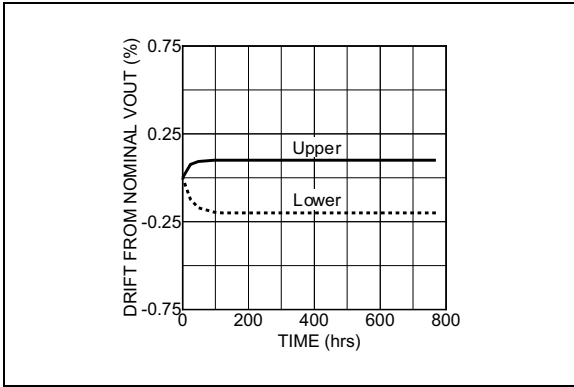


FIGURE 2-13: Typical Voltage Drift Limits vs. Time.

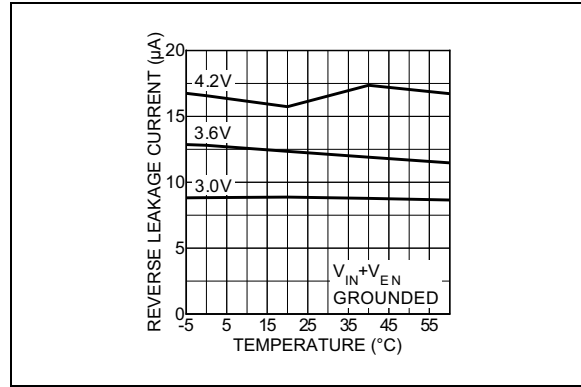


FIGURE 2-16: Reverse Leakage Current vs. Temperature.

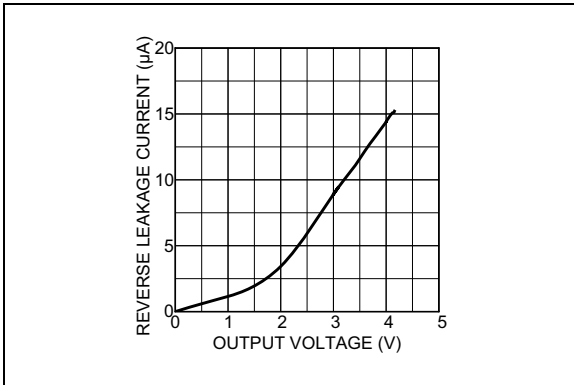


FIGURE 2-14: Reverse Leakage Current vs. Output Voltage.

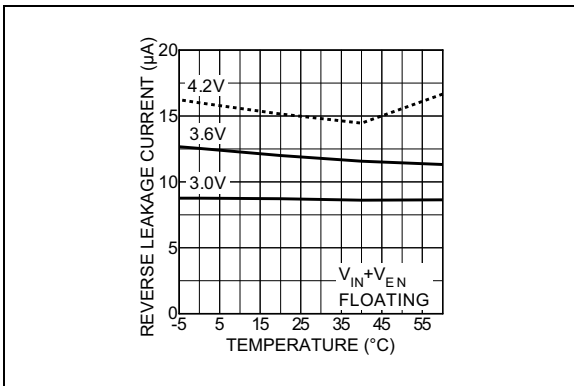


FIGURE 2-15: Reverse Leakage Current vs. Output Voltage.

3.0 PIN DESCRIPTIONS

The descriptions of the pins are listed in [Table 3-1](#).

TABLE 3-1: PIN FUNCTION TABLE

Pin Number SOT-223	Pin Number SOIC-8, MSOP-8	Pin Name	Description
1	2	IN	Supply input.
2, TAB	5, 6, 7, 8	GND	Ground: SOT-223 pin 2 and TAB are internally connected. SOIC-8 pins 5 through 8 are internally connected.
3	3	BAT	Battery voltage output.
—	1	EN	Enable (Input): TTL/CMOS-compatible control input. Logic-high = enable; logic-low or open = shutdown.
—	4	FB	Feedback node.

MIC79050

4.0 FUNCTIONAL DESCRIPTION

The MIC79050 is a high-accuracy, linear battery charging circuit designed for the simplest implementation of a single lithium-ion (Li-ion) battery charger. The part can operate from a regulated or unregulated power source, making it ideal for various applications. The MIC79050 can take an unregulated voltage source and provide an extremely accurate termination voltage. The output voltage varies only 0.75% from nominal over the standard temperature range for Li-ion battery charging (-5°C to $+60^{\circ}\text{C}$). With a minimum of external components, an accurate constant-current charger can be designed to provide constant-current, constant-voltage charging for Li-ion cells.

4.1 Input Voltage

The MIC79050 can operate with an input voltage up to 16V (20V absolute maximum), ideal for applications where the input voltage can float high, such as an unregulated wall adapter that obeys a load-line. Higher voltages can be sustained without any performance degradation to the output voltage. The line regulation of the device is typically 0.009%/V; that is, a 10V change on the input voltage corresponds to a 0.09% change in output voltage.

4.2 Enable

The MIC79050 has an enable pin that allows the charger to be disabled when the battery is fully charged and the current drawn by the battery has approached a minimum and/or the maximum charging time has timed out. When disabled, the regulator output sinks a minimum of current with the battery voltage applied directly onto the output. This current is typically 12 μA or less.

4.3 Feedback

The feedback pin allows for external manipulation of the control loop. This node is connected to an external resistive divider network, which is connected to the internal error amplifier. This amplifier compares the voltage at the feedback pin to an internal voltage reference. The loop then corrects for changes in load current or input voltage by monitoring the output voltage and linearly controlling the drive to the large, PNP pass element. By externally controlling the voltage at the feedback pin the output can be disabled or forced to the input voltage. Pulling and holding the feedback pin low forces the output low. Holding the feedback pin high forces the pass element into saturation, where the output will be the input minus the saturation (dropout) voltage.

4.4 Battery Output

The BAT pin is the output of the MIC79050 and connects directly to the cell to provide charging current and voltage. When the input is left floating or grounded, the BAT pin limits reverse current to $<12 \mu\text{A}$ to minimize battery drain.

5.0 APPLICATIONS INFORMATION

5.1 Simple Lithium-Ion Battery Charger

Figure 5-1 shows a simple, complete lithium-ion battery charger. The charging circuit comprises of a cheap wall adapter, with a load-line characteristic. This characteristic is always present with cheap adapters due to the internal impedance of the transformer windings. The load-line of the unregulated output should be less than 4.4V to 4.6V at somewhere between 0.5C to 1C of the battery under charge. This 4.4 to 4.6V value is an approximate number based on

the headroom needed above 4.2V for the MIC79050 to operate correctly. In other words, for a 500 mAh battery, the output of the semi-regulated supply should be between 225 mA to 500 mA (0.5C to 1C). If it is below 225 mA no damage will occur but the battery will take longer to charge. Figure 5-2 shows a typical wall adapter characteristic with an output current of 350 mA at 4.5V. This natural impedance of the wall adapter will limit the maximum current into the battery, so no external circuitry is needed to accomplish this.

If extra impedance is needed to achieve the desired load-line, extra resistance can easily be added in series with the MIC79050 IN pin.

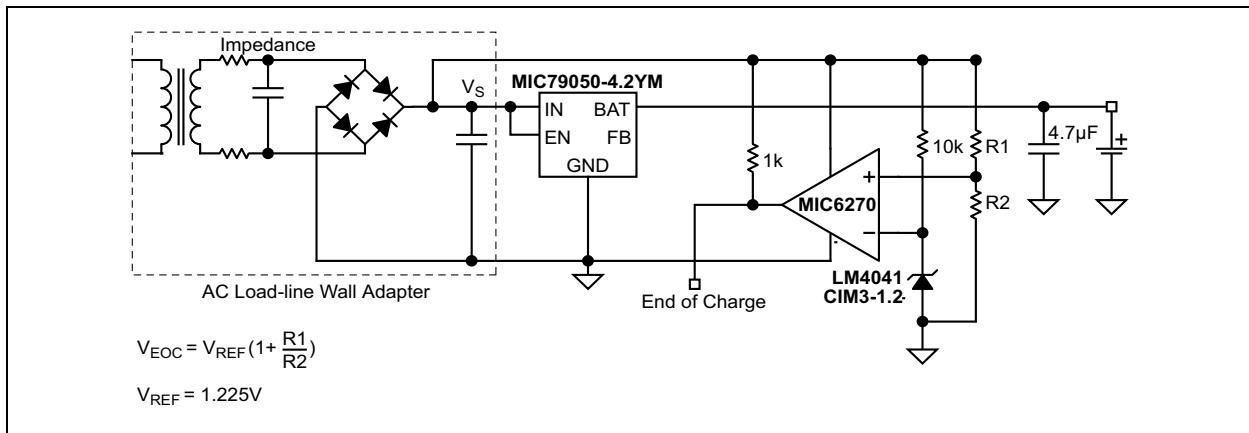


FIGURE 5-1: Load-Line Charger with End-of-Charge Termination Circuit.

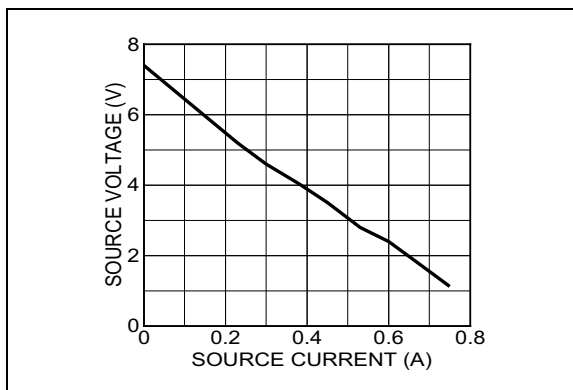


FIGURE 5-2: Load-Line Characteristics of AC Wall Adapter.

5.2 The Charging Cycle

See Figure 5-3.

State A: Initial charge. Here the battery's charging current is limited by the wall adapter's natural impedance. The battery voltage approaches 4.2V.

State B: Constant voltage charge. Here the battery voltage is at 4.2V \pm 0.75% and the current is decaying in the battery. When the battery has reached approximately 1/10th of its 1C rating, the battery is

considered to have reached full charge. Because of the natural characteristic impedance of the cheap wall adapters, as the battery current decreases so the input voltage increases. The MIC6270 and the LM4041 are configured as a simple voltage monitor, indicating when the input voltage has reached such a level so the current in the battery is low, indicating full charge.

State C: End of charge cycle. When the input voltage, V_S reaches V_{EOC} , an end of charge signal is indicated.

State D: Top up charge. As soon as enough current is drawn out of the input source, which pulls the voltage lower than the V_{EOC} , the end of charge flag will be pulled low and charging will initiate.

Variations on this scheme can be implemented, such as the circuit shown in Figure 5-4.

For those designs that have a zero impedance source, see Figure 5-5.

MIC79050

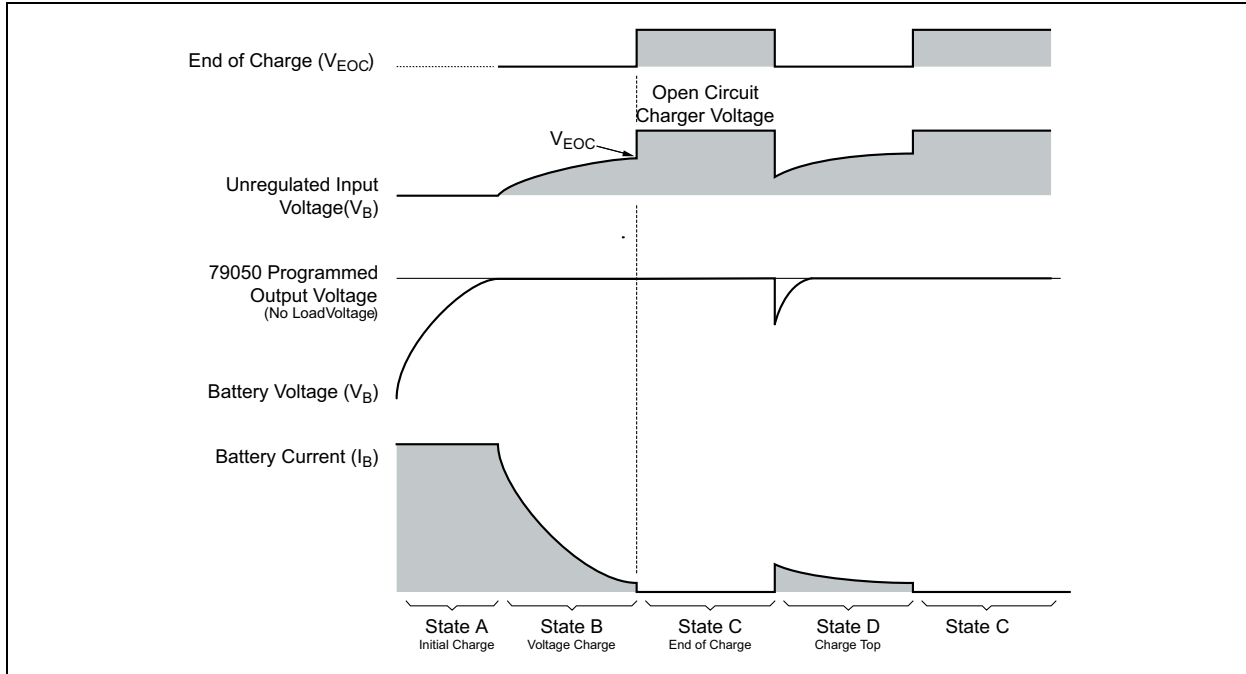


FIGURE 5-3: Charging Cycles.

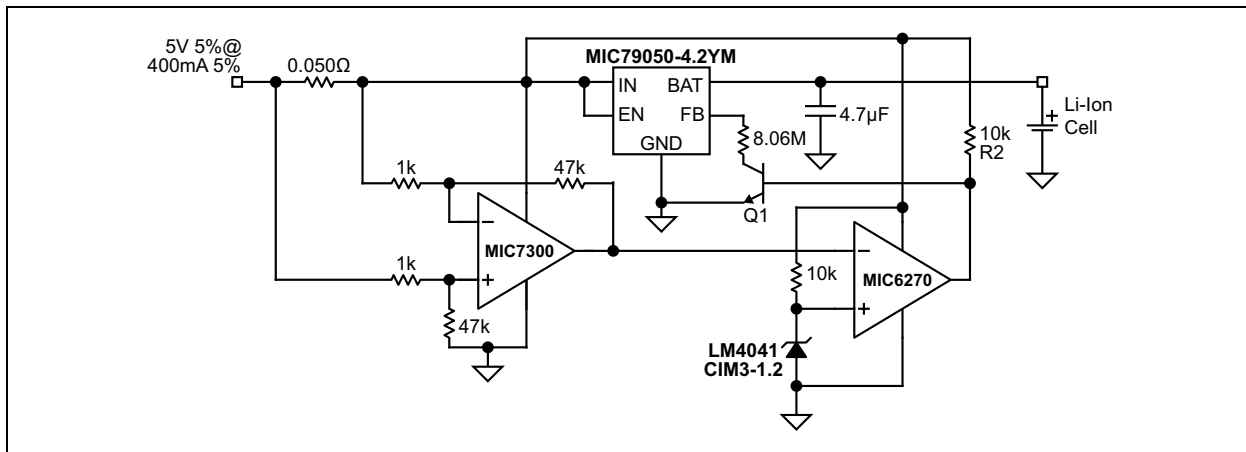


FIGURE 5-4: Protected Constant-Current Charger.

5.3 Protected Constant-Current Charger

Another form of charging is using a simple wall adapter that offers a fixed voltage at a controlled, maximum current rating. The output of a typical charger will source a fixed voltage at a maximum current unless that maximum current is exceeded. In the event that the maximum current is exceeded, the voltage will drop while maintaining that maximum current. Using an MIC79050 after this type of charger is ideal for lithium-ion battery charging. The only obstacle is end of charger termination. Using a simple differential amplifier and a similar comparator and reference circuit, similar to Figure 5-1, completes a single cell lithium-ion battery charger solution.

Figure 5-4 shows this solution in completion. The source is a fixed 5V source capable of a maximum of 400 mA of current. When the battery demands full current (fast charge), the source will provide only 400 mA and the input will be pulled down. The output of the MIC79050 will follow the input minus a small voltage drop. When the battery approaches full charge, the current will taper off. As the current across R_S approaches 50 mA, the output of the differential amplifier (MIC7300) will approach 1.225V, the reference voltage set by the LM4041. When it drops below the reference voltage, the output of the comparator (MIC6270) will allow the base of Q1 to be pulled high through R2.

5.4 Zero-Output Impedance Source Charging

Input voltage sources that have very low output impedances can be a challenge due to the nature of the source. Using the circuit in [Figure 5-5](#) will provide a constant-current and constant voltage charging algorithm with the appropriate end-of-charge termination. The main loop consists of an op-amp controlling the feedback pin through the schottky diode,

D1. The charge current through R_S is held constant by the op-amp circuit until the output draws less than the set charge-current. At this point, the output goes constant-voltage. When the current through R_S gets to less than 50 mA, the difference amp output becomes less than the reference voltage of the MIC834 and the output pulls low. This sets the output of the MIC79050 less than nominal, stopping current flow and terminating charge.

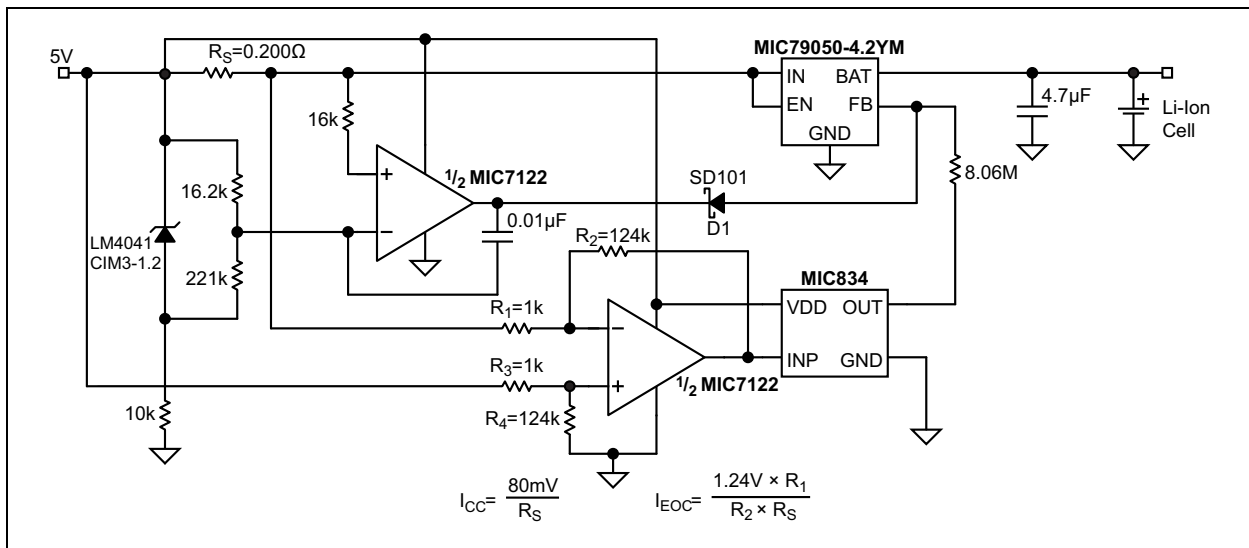


FIGURE 5-5: Zero-Output Impedance Source Charging.

5.5 Lithium-Ion Battery Charging

Single lithium-ion cells are typically charged by providing a constant current and terminating the charge with constant voltage. The charge cycle must be initiated by ensuring that the battery is not in deep discharge. If the battery voltage is below 2.5V, it is commonly recommended to trickle charge the battery with 5 mA to 10 mA of current until the output is above 2.5V. At this point, the battery can be charged with constant current until it reaches its top off voltage (4.2V for a typical single lithium-ion cell) or a time-out occurs.

For the constant-voltage portion of the charging circuit, an extremely accurate termination voltage is highly recommended. The higher the accuracy of the termination circuit, the more energy the battery will store. Because lithium-ion cells do not exhibit a memory effect, less accurate termination does not harm the cell, but simply stores less usable energy in the battery. The charge cycle is completed by disabling the charge circuit after the termination current drops below a minimum recommended level, typically 50 mA or less, depending on the manufacturer's recommendation, or if the circuit times out.

5.6 Time-Out

The time-out aspect of lithium-ion battery charging can be added as a safety feature of the circuit. Often times this function is incorporated in the software portion of an application using a real-time clock to count out the maximum amount of time allowed in the charging cycle. When the maximum recommended charge time for the specific cell has been exceeded, the enable pin of the MIC79050 can be pulled low, and the output will float to the battery voltage, no longer providing current to the output.

As a second option, the feedback pin of the MIC79050 can be modulated as in [Figure 5-6](#). It shows a simple circuit where the MIC834, an integrated comparator and reference, monitors the battery voltage and disables the MIC79050 output after the voltage on the battery exceeds a set value. When the voltage decays below this set threshold, the MIC834 drives Q1 low allowing the MIC79050 to turn on and provide current to the battery until it is fully charged. This form of pulse charging is an acceptable way of maintaining the full charge on a cell until it is ready to be used.

MIC79050

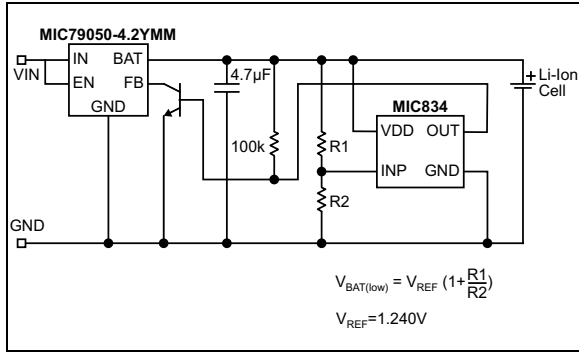


FIGURE 5-6: Pulse Charging for Top-Off Voltage.

5.7 Charging Rate

Lithium-ion cells are typically charged at rates that are fractional multiples of their rated capacity. The maximum varies between 1C and 1.3C (1× to 1.3× the capacity of the cell). The MIC79050 can be used for any cell size. The size of the cell and the current capability of the input source will determine the overall circuit charge rate. For example, a 1200 mAh battery charged with the MIC79050 can be charged at a maximum of 0.5C. There are no adverse effects to charging at lower charge rates; that charging will just take longer. Charging at rates greater than 1C are not recommended, nor do they decrease the charge time linearly.

The MIC79050 is capable of providing 500 mA of current at its nominal rated output voltage of 4.2V. If the input is brought below the nominal output voltage, the output will follow the input, less the saturation voltage drop of the pass element. If the cell draws more than the maximum output current of the device, the output will be pulled low, charging the cell at 600 mA to 700 mA current. If the input is a fixed source with a low output impedance, this could lead to a large drop across the MIC79050 and excess heating. By driving the feedback pin with an external PWM circuit, the MIC79050 can be used to pulse charge the battery to reduce power dissipation and bring the device and the entire unit down to a lower operating temperature. Figure 5-7 and Figure 5-8 show typical configurations for PWM-based pulse-charging topologies. Figure 5-7 uses an external PWM signal to control the charger, while Figure 5-8 uses the MIC4417 as a low duty cycle oscillator to drive the base of Q1. Consult the battery manufacturer for optimal pulse-charging techniques.

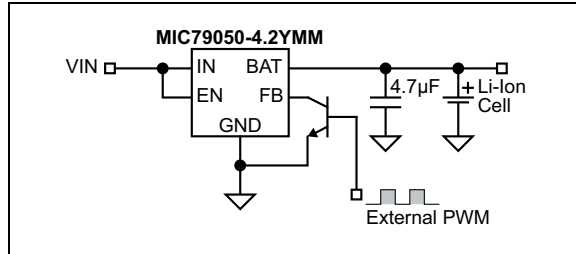


FIGURE 5-7: External PWM Circuit Design.

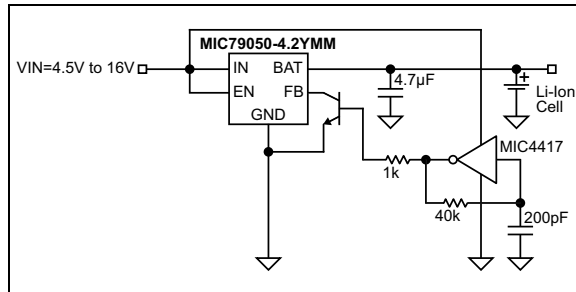


FIGURE 5-8: PWM-Based Pulse Charging Using an MIC4417.

Figure 5-9 shows another application to increase the output current capability of the MIC79050. By adding an external PNP power transistor, higher output current can be obtained while maintaining the same accuracy. The internal PNP now becomes the driver of a darlington array of PNP transistors, obtaining much higher output currents for applications where the charge rate of the battery is much higher.

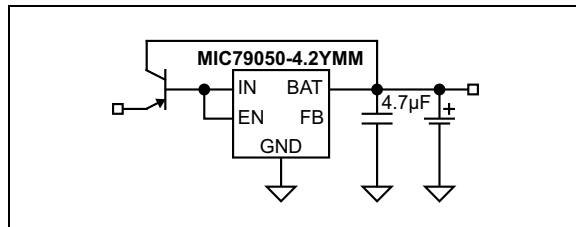


FIGURE 5-9: High-Current Charging.

5.8 Regulated Input Source Charging

When providing a constant-current, constant-voltage, charger solution from a well-regulated adapter circuit, the MIC79050 can be used with external components to provide a constant voltage, constant-current charger solution. Figure 5-10 shows a configuration for a high-side battery charger circuit that monitors input current to the battery and allows a constant current charge that is accurately terminated with the MIC79050. The circuit works best with smaller batteries, charging at C rates in the 300 mA to 500 mA range. The MIC7300 op-amp compares the drop across a current sense resistor and compares that to a high-side voltage reference, the LM4041, pulling the feedback pin low when the circuit is in the

constant-current mode. When the current through the resistor drops and the battery gets closer to full charge, the output of the op-amp rises and allows the internal feedback network of the regulator take over, regulating the output to 4.2V.

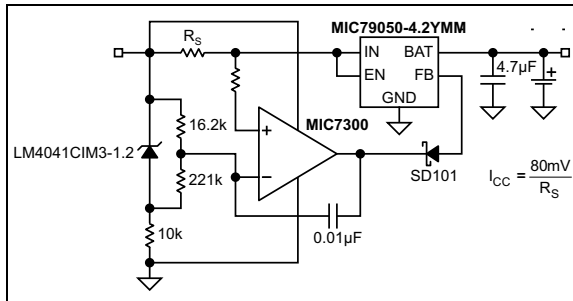


FIGURE 5-10: Constant-Current, Constant-Voltage Charger.

5.9 Simple Charging

The MIC79050 is available in a three-terminal package, allowing for extremely simple battery charging. When used with a current-limited, low-power input supply, the MIC79050-4.2YS completes a very simple, low-charge-rate, battery-charger circuit. It provides the accuracy required for termination, while a current-limited input supply offers the constant-current portion of the algorithm.

5.10 Thermal Considerations

The MIC79050 is offered in three packages for the various applications. The SOT-223 is most thermally efficient of the three packages, with the power SOIC-8 and the power MSOP-8 following suit.

5.10.1 POWER SOIC-8 THERMAL CHARACTERISTICS

One of the secrets of the MIC79050's performance is its power SOIC-8 package that features half the thermal resistance of a standard SOIC-8 package. Lower thermal resistance means more output current or higher input voltage for a given package size.

Lower thermal resistance is achieved by joining the four ground leads with the die attach paddle to create a single-piece electrical and thermal conductor. This concept has been used by MOSFET manufacturers for years, proving very reliable and cost effective for the user.

Thermal resistance consists of two main elements, θ_{JC} , or thermal resistance junction to case and θ_{CA} , thermal resistance case to ambient (Figure 5-11). θ_{JC} is the resistance from the die to the leads of the package. θ_{CA} is the resistance from the leads to the ambient air and it includes θ_{CS} , thermal resistance case to sink, and θ_{SA} , thermal resistance sink to ambient. Using the power SOIC-8 reduces the θ_{JC} dramatically and allows

the user to reduce θ_{CA} . The total thermal resistance, θ_{JA} , junction to ambient thermal resistance, is the limiting factor in calculating the maximum power dissipation capability of the device. Typically, the power SOIC-8 has a θ_{JC} of 20°C/W, which is significantly lower than the standard SOIC-8, which is typically 75°C/W. θ_{CA} is reduced because pins 5-8 can now be soldered directly to a ground plane, which significantly reduces the case to sink thermal resistance and sink to ambient thermal resistance.

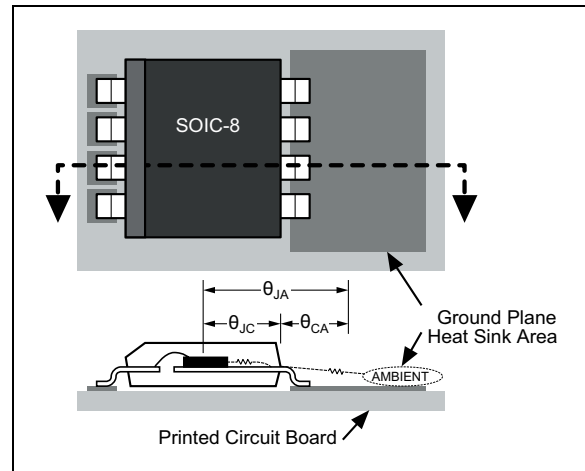


FIGURE 5-11: Thermal Resistance.

The MIC79050 is rated to a maximum junction temperature of +125°C. It is important not to exceed this maximum junction temperature during operation of the device. To prevent this maximum junction temperature from being exceeded, the appropriate ground plane heat sink must be used.

Figure 5-12 shows curves of copper area versus power dissipation, each trace corresponding to different temperature rises above ambient. From these curves, the minimum area of copper necessary for the part to operate safely can be determined. The maximum allowable temperature rise must be calculated to determine operation along which curve.

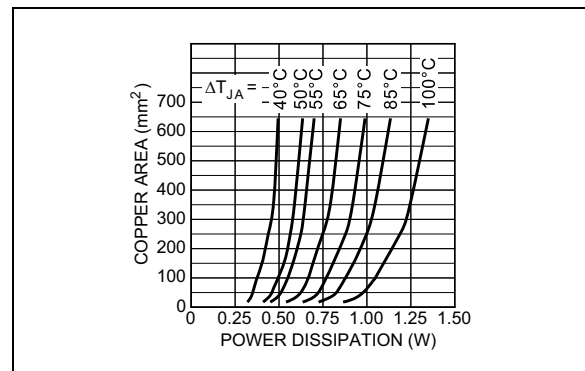


FIGURE 5-12: Copper Area vs. Power SOIC Power Dissipation (ΔT_{JA}).

MIC79050

ΔT is calculated by taking the maximum junction temperature and subtracting the maximum ambient operating temperature.

For example, if the maximum ambient temperature is +40°C, the ΔT is determined as follows:

EQUATION 5-1:

$$\Delta T = 125^{\circ}\text{C} - 40^{\circ}\text{C} = 85^{\circ}\text{C}$$

Using Figure 5-12, the minimum amount of required copper can be determined based on the required power dissipation. Power dissipation in a linear regulator is calculated as follows:

EQUATION 5-2:

$$P_D = (V_{IN} - V_{OUT}) \times I_{OUT} + V_{IN} \times I_{GND}$$

For example, using the charging circuit in Figure 5-10, assume the input is a fixed 5V and the output is pulled down to 4.2V at a charge current of 500 mA. The power dissipation in the MIC79050 is calculated as follows:

EQUATION 5-3:

$$P_D = (5\text{V} - 4.2\text{V}) \times 0.5\text{A} + 5\text{V} \times 0.012\text{A} = 0.460\text{W}$$

From Figure 5-12, the minimum amount of copper required to operate this application at a ΔT of +85°C is less than 50 mm².

5.10.2 QUICK METHOD

Determine the power dissipation requirements for the design along with the maximum ambient temperature at which the device will be operated. Refer to Figure 5-13, which shows safe operating curves for three different ambient temperatures: +25°C, +50°C, and +85°C. From these curves, the minimum amount of copper can be determined by knowing the maximum power dissipation required. If the maximum ambient temperature is +40°C and the power dissipation is as above, 0.46W, the curve in Figure 5-13 shows that the required area of copper is 50 mm².

The θ_{JA} of this package is ideally 63°C/W, but it will vary depending upon the availability of copper ground plane to which it is attached.

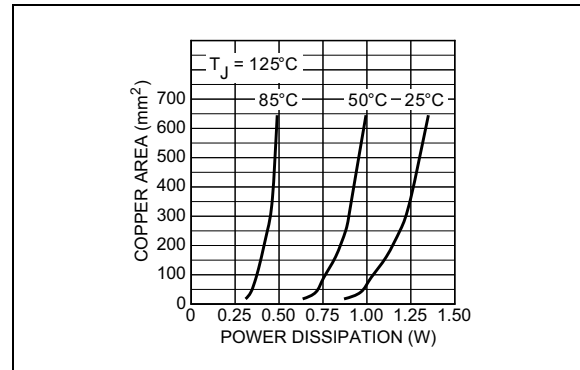


FIGURE 5-13: Copper Area vs. Power SOIC Power Dissipation (T_A).

5.10.3 POWER MSOP-8 THERMAL CHARACTERISTICS

The power MSOP-8 package follows the same idea as the power SOIC-8 package, using four ground leads with the die-attach paddle to create a single-piece electrical and thermal conductor, reducing thermal resistance and increasing power dissipation capability.

The same method of determining the heat sink area used for the power SOIC-8 can be applied directly to the power MSOP-8. The same two curves showing power dissipation versus copper area are reproduced for the power-MSOP-8 and they can be applied identically.

5.10.4 QUICK METHOD

Determine the power dissipation requirements for the design along with the maximum ambient temperature at which the device will be operated. Refer to Figure 5-15, which shows safe operating curves for three different ambient temperatures, +25°C, +50°C, and +85°C. From these curves, the minimum amount of copper can be determined by knowing the maximum power dissipation required. If the maximum ambient temperature is +25°C and the power dissipation is 1W, the curve in Figure 5-15 shows that the required area of copper is 500 mm², when using the power MSOP-8.

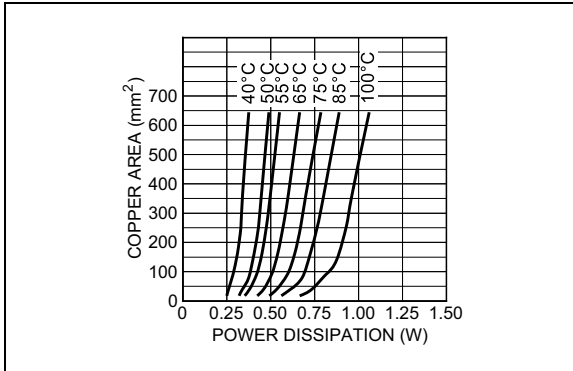


FIGURE 5-14: Copper Area vs. Power MSOP Power Dissipation (ΔT_{JA}).

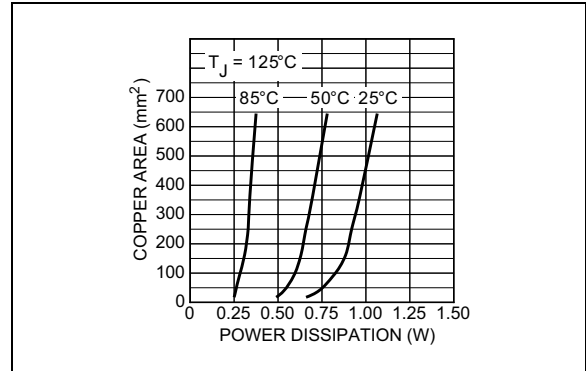
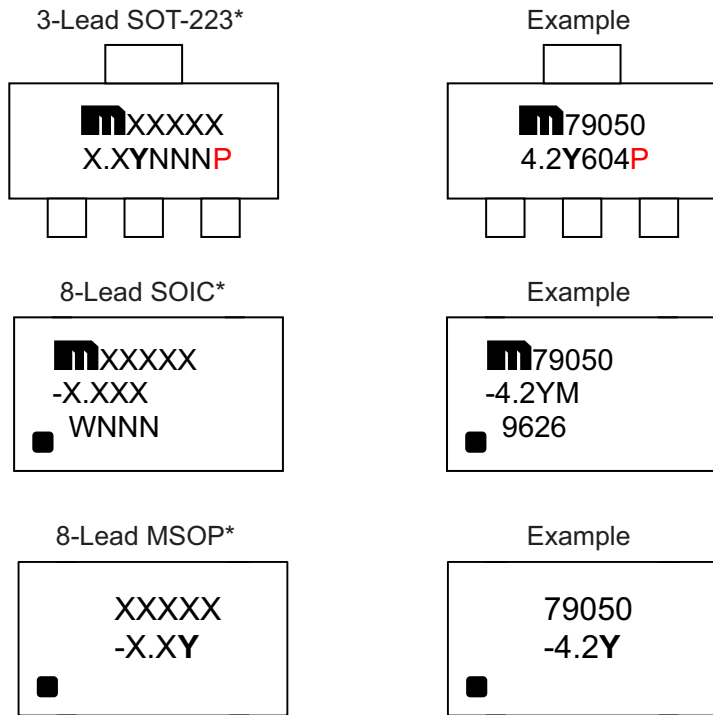


FIGURE 5-15: Copper Area vs. Power MSOP Power Dissipation (T_A).

MIC79050

6.0 PACKAGING INFORMATION

6.1 Package Marking Information



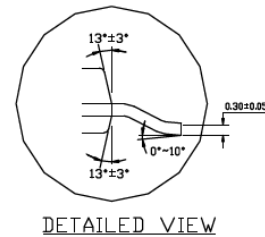
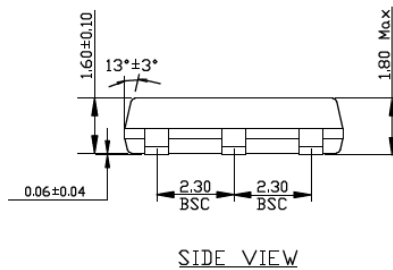
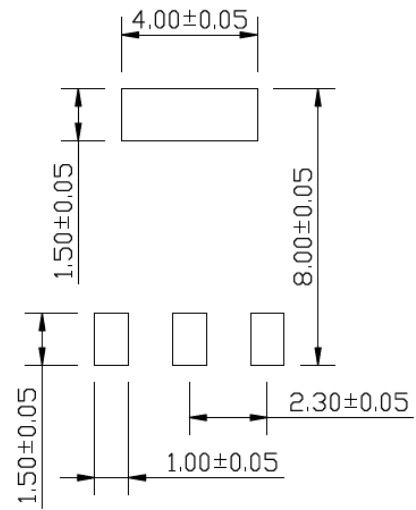
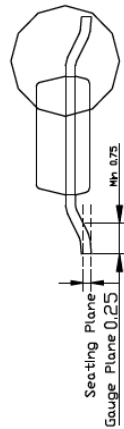
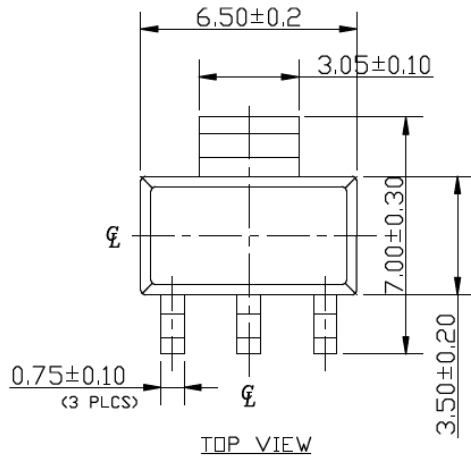
<p>Legend:</p> <p>XX...X Product code or customer-specific information</p> <p>Y Year code (last digit of calendar year)</p> <p>YY Year code (last 2 digits of calendar year)</p> <p>WW Week code (week of January 1 is week '01')</p> <p>NNN Alphanumeric traceability code</p> <p>(e3) Pb-free JEDEC® designator for Matte Tin (Sn)</p> <p>* This package is Pb-free. The Pb-free JEDEC designator (e3) can be found on the outer packaging for this package.</p> <p>•, ▲, ▼ Pin one index is identified by a dot, delta up, or delta down (triangle mark).</p>
<p>Note: In the event the full Microchip part number cannot be marked on one line, it will be carried over to the next line, thus limiting the number of available characters for customer-specific information. Package may or may not include the corporate logo.</p> <p>Underbar () and/or Overbar () symbol may not be to scale.</p>

3-Lead SOT-223 Package Outline and Recommended Land Pattern

TITLE

3 LEAD SOT223 PACKAGE OUTLINE & RECOMMENDED LAND PATTERN

DRAWING #	SOT223-3LD-PL-1	UNIT	MM
-----------	-----------------	------	----



NOTE:

1. Dimensions and tolerances are as per ANSI Y14.5M, 1982.
2. Controlling dimension: Millimeters.
3. Dimensions are exclusive of mold flash and gate burr.
4. All specification comply to Jedec spec T0261 Issue C.

Note: For the most current package drawings, please see the Microchip Packaging Specification located at <http://www.microchip.com/packaging>.

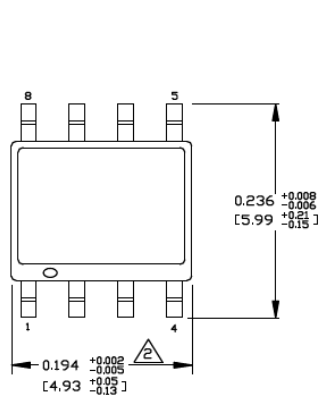
MIC79050

8-Lead SOIC Package Outline and Recommended Land Pattern

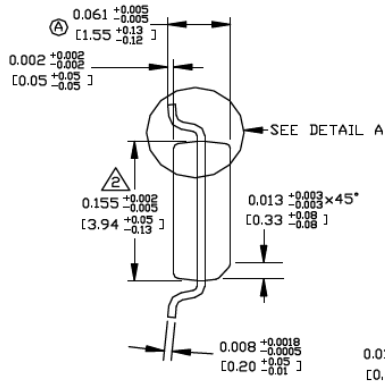
TITLE

8 LEAD SOICN EPAD PACKAGE OUTLINE & RECOMMENDED LAND PATTERN

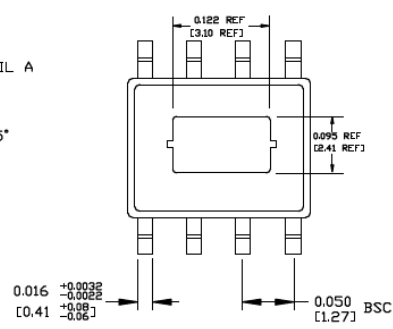
DRAWING #	SOICNEP-8LD-PL-1	UNIT	INCH [MM]
-----------	------------------	------	-----------



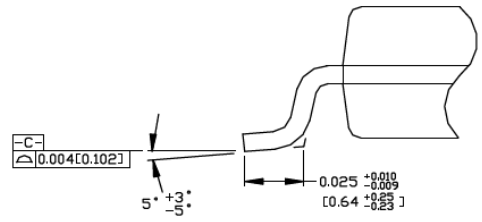
TOP VIEW



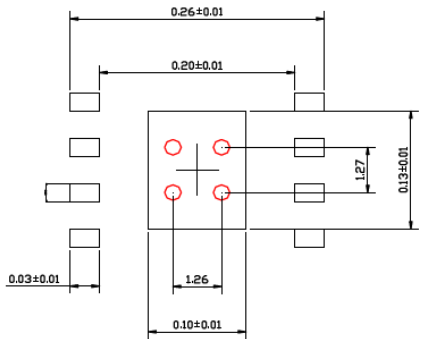
END VIEW



BOTTOM VIEW



DETAIL "A"



RECOMMENDED LAND PATTERN

NOTE:

1. DIMENSION DOES NOT INCLUDE MOLD FLASH OR PROTRUSIONS, EITHER OF WHICH SHALL EXCEED 0.006 INCHES PER SIDE
2. RED CIRCLES IN LAND PATTERN REPRESENT THERMAL VIAS. RECOMMENDED SIZE IS 0.30-0.30MM IN DIAMETER AND SHOULD BE CONNECTED TO GND FOR MAXIMUM THERMAL PERFORMANCE

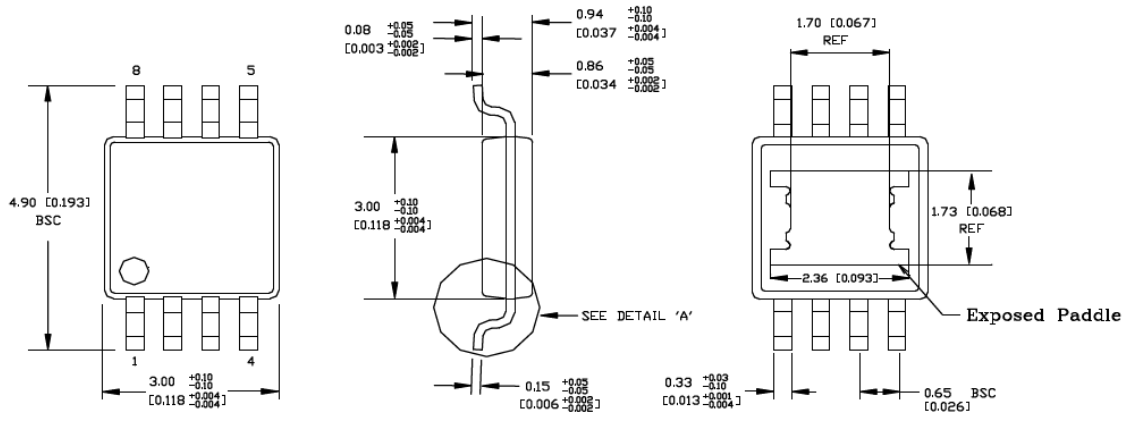
Note: For the most current package drawings, please see the Microchip Packaging Specification located at <http://www.microchip.com/packaging>.

8-Lead MSOP Package Outline and Recommended Land Pattern

TITLE

8 LEAD MSOP EPAD PACKAGE OUTLINE & RECOMMENDED LAND PATTERN

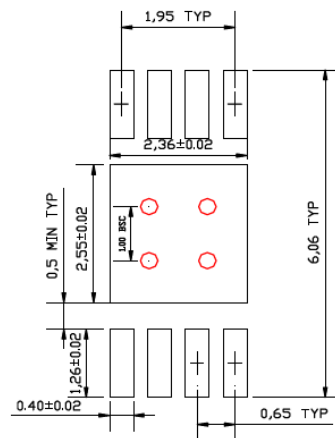
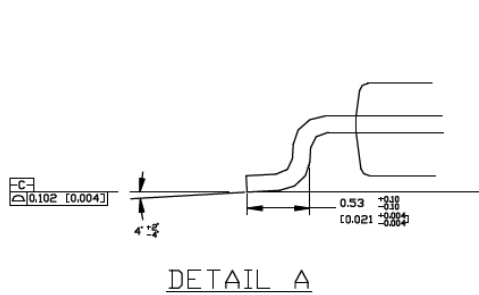
DRAWING #	MSOPEP-8LD-PL-1	UNIT	MM [INCH]
-----------	-----------------	------	-----------



TOP VIEW

END VIEW

BOTTOM VIEW



NOTE:

1. DIMENSION DOES NOT INCLUDE MOLD FLASH OR PROTRUSIONS, EITHER OF WHICH SHALL NOT EXCEED 0.20 [0.008] PER SIDE
2. RED CIRCLES IN LAND PATTERN REPRESENT THERMAL VIAS. RECOMMENDED SIZE IS 0.30-0.35MM IN DIAMETER, 1.00 PITCH AND SHOULD BE CONNECTED TO GND FOR MAXIMUM PERFORMANCE

Note: For the most current package drawings, please see the Microchip Packaging Specification located at <http://www.microchip.com/packaging>.

MIC79050

NOTES:

APPENDIX A: REVISION HISTORY

Revision A (July 2017)

- Converted Micrel document MIC79050 to Microchip data sheet DS20005771A.
- Minor text changes throughout.

MIC79050

NOTES:

PRODUCT IDENTIFICATION SYSTEM

To order or obtain information, e.g., on pricing or delivery, contact your local Microchip representative or sales office.

<u>PART NO.</u>	<u>-X.X</u>	<u>X</u>	<u>XX</u>	<u>-XX</u>
Device	Voltage	Temperature	Package	Media Type
Device:	MIC79050:	Simple Lithium-Ion Battery Charger		
Voltage:	4.2 =	4.2V		
Temperature:	Y =	-40°C to +125°C		
Package:	S =	3-Lead SOT-223		
	M =	8-Lead SOIC		
	MM =	8-Lead MSOP		
Media Type:	<blank>=	78/Tube (SOT-223)		
	<blank>=	95/Tube (SOIC)		
	<blank>=	100/Tube (MSOP)		
	TR =	2,500/Reel (All Packages)		
Examples:				
a) MIC79050-4.2YS:	Simple Lithium-Ion Battery Charger, 4.2V, -40°C to +125°C, 3-Lead SOT-223, 78/Tube			
b) MIC79050-4.2YS-TR:	Simple Lithium-Ion Battery Charger, 4.2V, -40°C to +125°C, 3-Lead SOT-223, 2,500/Reel			
c) MIC79050-4.2YM:	Simple Lithium-Ion Battery Charger, 4.2V, -40°C to +125°C, 8-Lead SOIC, 95/Tube			
d) MIC79050-4.2YM-TR:	Simple Lithium-Ion Battery Charger, 4.2V, -40°C to +125°C, 8-Lead SOIC, 2,500/Reel			
e) MIC79050-4.2YMM:	Simple Lithium-Ion Battery Charger, 4.2V, -40°C to +125°C, 8-Lead MSOP, 100/Tube			
f) MIC79050-4.2YMM-TR:	Simple Lithium-Ion Battery Charger, 4.2V, -40°C to +125°C, 8-Lead MSOP, 2,500/Reel			
Note 1: Tape and Reel identifier only appears in the catalog part number description. This identifier is used for ordering purposes and is not printed on the device package. Check with your Microchip Sales Office for package availability with the Tape and Reel option.				

MIC79050

NOTES:

Note the following details of the code protection feature on Microchip devices:

- Microchip products meet the specification contained in their particular Microchip Data Sheet.
- Microchip believes that its family of products is one of the most secure families of its kind on the market today, when used in the intended manner and under normal conditions.
- There are dishonest and possibly illegal methods used to breach the code protection feature. All of these methods, to our knowledge, require using the Microchip products in a manner outside the operating specifications contained in Microchip's Data Sheets. Most likely, the person doing so is engaged in theft of intellectual property.
- Microchip is willing to work with the customer who is concerned about the integrity of their code.
- Neither Microchip nor any other semiconductor manufacturer can guarantee the security of their code. Code protection does not mean that we are guaranteeing the product as “unbreakable.”

Code protection is constantly evolving. We at Microchip are committed to continuously improving the code protection features of our products. Attempts to break Microchip's code protection feature may be a violation of the Digital Millennium Copyright Act. If such acts allow unauthorized access to your software or other copyrighted work, you may have a right to sue for relief under that Act.

Information contained in this publication regarding device applications and the like is provided only for your convenience and may be superseded by updates. It is your responsibility to ensure that your application meets with your specifications. MICROCHIP MAKES NO REPRESENTATIONS OR WARRANTIES OF ANY KIND WHETHER EXPRESS OR IMPLIED, WRITTEN OR ORAL, STATUTORY OR OTHERWISE, RELATED TO THE INFORMATION, INCLUDING BUT NOT LIMITED TO ITS CONDITION, QUALITY, PERFORMANCE, MERCHANTABILITY OR FITNESS FOR PURPOSE. Microchip disclaims all liability arising from this information and its use. Use of Microchip devices in life support and/or safety applications is entirely at the buyer's risk, and the buyer agrees to defend, indemnify and hold harmless Microchip from any and all damages, claims, suits, or expenses resulting from such use. No licenses are conveyed, implicitly or otherwise, under any Microchip intellectual property rights unless otherwise stated.

Microchip received ISO/TS-16949:2009 certification for its worldwide headquarters, design and wafer fabrication facilities in Chandler and Tempe, Arizona; Gresham, Oregon and design centers in California and India. The Company's quality system processes and procedures are for its PIC® MCUs and dsPIC® DSCs, KEELOQ® code hopping devices, Serial EEPROMs, microperipherals, nonvolatile memory and analog products. In addition, Microchip's quality system for the design and manufacture of development systems is ISO 9001:2000 certified.

**QUALITY MANAGEMENT SYSTEM
CERTIFIED BY DNV
= ISO/TS 16949 =**

Trademarks

The Microchip name and logo, the Microchip logo, AnyRate, AVR, AVR logo, AVR Freaks, BeaconThings, BitCloud, CryptoMemory, CryptoRF, dsPIC, FlashFlex, flexPWR, Helder, JukeBlox, KEELOQ, KEELOQ logo, Klear, LANCheck, LINK MD, maXStylus, maXTouch, MediaLB, megaAVR, MOST, MOST logo, MPLAB, OptoLyzer, PIC, picoPower, PICSTART, PIC32 logo, Prochip Designer, QTouch, RightTouch, SAM-BA, SpyNIC, SST, SST Logo, SuperFlash, tinyAVR, UNI/O, and XMEGA are registered trademarks of Microchip Technology Incorporated in the U.S.A. and other countries.

ClockWorks, The Embedded Control Solutions Company, EtherSynch, Hyper Speed Control, HyperLight Load, IntelliMOS, mTouch, Precision Edge, and Quiet-Wire are registered trademarks of Microchip Technology Incorporated in the U.S.A.

Adjacent Key Suppression, AKS, Analog-for-the-Digital Age, Any Capacitor, AnyIn, AnyOut, BodyCom, chipKIT, chipKIT logo, CodeGuard, CryptoAuthentication, CryptoCompanion, CryptoController, dsPICDEM, dsPICDEM.net, Dynamic Average Matching, DAM, ECAN, EtherGREEN, In-Circuit Serial Programming, ICSP, Inter-Chip Connectivity, JitterBlocker, KlearNet, KlearNet logo, Mindi, MiWi, motorBench, MPASM, MPF, MPLAB Certified logo, MPLIB, MPLINK, MultiTRAK, NetDetach, Omniscient Code Generation, PICDEM, PICDEM.net, PICKit, PICTail, PureSilicon, QMatrix, RightTouch logo, REAL ICE, Ripple Blocker, SAM-ICE, Serial Quad I/O, SMART-I.S., SQI, SuperSwitcher, SuperSwitcher II, Total Endurance, TSHARC, USBCheck, VariSense, ViewSpan, WiperLock, Wireless DNA, and ZENA are trademarks of Microchip Technology Incorporated in the U.S.A. and other countries.

SQTP is a service mark of Microchip Technology Incorporated in the U.S.A.

Silicon Storage Technology is a registered trademark of Microchip Technology Inc. in other countries.

GestIC is a registered trademark of Microchip Technology Germany II GmbH & Co. KG, a subsidiary of Microchip Technology Inc., in other countries.

All other trademarks mentioned herein are property of their respective companies.

© 2017, Microchip Technology Incorporated, All Rights Reserved.
ISBN: 978-1-5224-1920-4



MICROCHIP

Worldwide Sales and Service

AMERICAS

Corporate Office
2355 West Chandler Blvd.
Chandler, AZ 85224-6199
Tel: 480-792-7200
Fax: 480-792-7277
Technical Support:
<http://www.microchip.com/support>
Web Address:
www.microchip.com

Atlanta
Duluth, GA
Tel: 678-957-9614
Fax: 678-957-1455

Austin, TX
Tel: 512-257-3370

Boston
Westborough, MA
Tel: 774-760-0087
Fax: 774-760-0088

Chicago
Itasca, IL
Tel: 630-285-0071
Fax: 630-285-0075

Dallas
Addison, TX
Tel: 972-818-7423
Fax: 972-818-2924

Detroit
Novi, MI
Tel: 248-848-4000

Houston, TX
Tel: 281-894-5983

Indianapolis
Noblesville, IN
Tel: 317-773-8323
Fax: 317-773-5453
Tel: 317-536-2380

Los Angeles
Mission Viejo, CA
Tel: 949-462-9523
Fax: 949-462-9608
Tel: 951-273-7800

Raleigh, NC
Tel: 919-844-7510

New York, NY
Tel: 631-435-6000

San Jose, CA
Tel: 408-735-9110
Tel: 408-436-4270

Canada - Toronto
Tel: 905-695-1980
Fax: 905-695-2078

ASIA/PACIFIC

Asia Pacific Office
Suites 3707-14, 37th Floor
Tower 6, The Gateway
Harbour City, Kowloon

Hong Kong
Tel: 852-2943-5100
Fax: 852-2401-3431

Australia - Sydney
Tel: 61-2-9868-6733
Fax: 61-2-9868-6755

China - Beijing
Tel: 86-10-8569-7000
Fax: 86-10-8528-2104

China - Chengdu
Tel: 86-28-8665-5511
Fax: 86-28-8665-7889

China - Chongqing
Tel: 86-23-8980-9588
Fax: 86-23-8980-9500

China - Dongguan
Tel: 86-769-8702-9880

China - Guangzhou
Tel: 86-20-8755-8029

China - Hangzhou
Tel: 86-571-8792-8115
Fax: 86-571-8792-8116

China - Hong Kong SAR
Tel: 852-2943-5100
Fax: 852-2401-3431

China - Nanjing
Tel: 86-25-8473-2460
Fax: 86-25-8473-2470

China - Qingdao
Tel: 86-532-8502-7355
Fax: 86-532-8502-7205

China - Shanghai
Tel: 86-21-3326-8000
Fax: 86-21-3326-8021

China - Shenyang
Tel: 86-24-2334-2829
Fax: 86-24-2334-2393

China - Shenzhen
Tel: 86-755-8864-2200
Fax: 86-755-8203-1760

China - Wuhan
Tel: 86-27-5980-5300
Fax: 86-27-5980-5118

China - Xian
Tel: 86-29-8833-7252
Fax: 86-29-8833-7256

ASIA/PACIFIC

China - Xiamen
Tel: 86-592-2388138
Fax: 86-592-2388130

China - Zhuhai
Tel: 86-756-3210040
Fax: 86-756-3210049

India - Bangalore
Tel: 91-80-3090-4444
Fax: 91-80-3090-4123

India - New Delhi
Tel: 91-11-4160-8631
Fax: 91-11-4160-8632

India - Pune
Tel: 91-20-3019-1500

Japan - Osaka
Tel: 81-6-6152-7160
Fax: 81-6-6152-9310

Japan - Tokyo
Tel: 81-3-6880-3770
Fax: 81-3-6880-3771

Korea - Daegu
Tel: 82-53-744-4301
Fax: 82-53-744-4302

Korea - Seoul
Tel: 82-2-554-7200
Fax: 82-2-558-5932 or
82-2-558-5934

Malaysia - Kuala Lumpur
Tel: 60-3-6201-9857
Fax: 60-3-6201-9859

Malaysia - Penang
Tel: 60-4-227-8870
Fax: 60-4-227-4068

Philippines - Manila
Tel: 63-2-634-9065
Fax: 63-2-634-9069

Singapore
Tel: 65-6334-8870
Fax: 65-6334-8850

Taiwan - Hsin Chu
Tel: 886-3-5778-366
Fax: 886-3-5770-955

Taiwan - Kaohsiung
Tel: 886-7-213-7830

Taiwan - Taipei
Tel: 886-2-2508-8600
Fax: 886-2-2508-0102

Thailand - Bangkok
Tel: 66-2-694-1351
Fax: 66-2-694-1350

EUROPE

Austria - Wels
Tel: 43-7242-2244-39
Fax: 43-7242-2244-393

Denmark - Copenhagen
Tel: 45-4450-2828
Fax: 45-4485-2829

Finland - Espoo
Tel: 358-9-4520-820

France - Paris
Tel: 33-1-69-53-63-20
Fax: 33-1-69-30-90-79

France - Saint Cloud
Tel: 33-1-30-60-70-00

Germany - Garching
Tel: 49-8931-9700

Germany - Haan
Tel: 49-2129-3766400

Germany - Heilbronn
Tel: 49-7131-67-3636

Germany - Karlsruhe
Tel: 49-721-625370

Germany - Munich
Tel: 49-89-627-144-0
Fax: 49-89-627-144-44

Germany - Rosenheim
Tel: 49-8031-354-560

Israel - Ra'anana
Tel: 972-9-744-7705

Italy - Milan
Tel: 39-0331-742611
Fax: 39-0331-466781

Italy - Padova
Tel: 39-049-7625286

Netherlands - Drunen
Tel: 31-416-690399
Fax: 31-416-690340

Norway - Trondheim
Tel: 47-7289-7561

Poland - Warsaw
Tel: 48-22-3325737

Romania - Bucharest
Tel: 40-21-407-87-50

Spain - Madrid
Tel: 34-91-708-08-90
Fax: 34-91-708-08-91

Sweden - Gothenberg
Tel: 46-31-704-60-40

Sweden - Stockholm
Tel: 46-8-5090-4654

UK - Wokingham
Tel: 44-118-921-5800
Fax: 44-118-921-5820