



九齊科技股份有限公司
Nyquest Technology Co., Ltd.

DATA SHEET

NY9M009B

Single Channel 1.4A Motor Driver

Version 1.0

Jan. 24, 2019

NYQUEST TECHNOLOGY CO. reserves the right to change this document without prior notice. Information provided by NYQUEST is believed to be accurate and reliable. However, NYQUEST makes no warranty for any errors which may appear in this document. Contact NYQUEST to obtain the latest version of device specifications before placing your orders. No responsibility is assumed by NYQUEST for any infringement of patent or other rights of third parties which may result from its use. In addition, NYQUEST products are not authorized for use as critical components in life support devices/systems or aviation devices/systems, where a malfunction or failure of the product may reasonably be expected to result in significant injury to the user, without the express written approval of NYQUEST.

Revision History

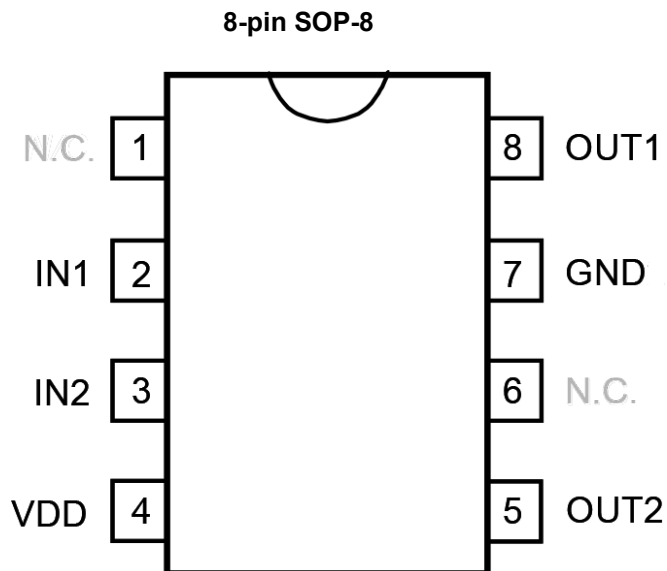
<i>Version</i>	<i>Date</i>	<i>Description</i>	<i>Modified Page</i>
1.0	2019/01/24	Formal release.	-

1. 概述

NY9M009B 為單晶片 CMOS 的雙向馬達驅動 IC，利用大型積體電路 (LSI) 製造技術，具有低電源及低成本的特性，可應用於低電壓工作模式。電路採用 H 橋架構，內置功率 MOSFET 開關，可實現對直流電機做 正轉、反轉、煞車、停止 四個功能的控制。

2. 功能

- (1). 寬廣的工作電壓：1.8V ~ 6.8V。
- (2). 內置 PMOS/NMOS 功率開關的 H 橋驅動器。
- (3). 支援 4 種操作模式：正轉 / 反轉 / 剎車 / 停止。
- (4). 低待機電流 (Typ.=0.1uA)。
- (5). 1400mA 以上電流輸出能力。
- (6). 內建過溫保護功能。(TSD, Thermal Shutdown)
- (7). CMOS 輸入，輸入腳無需外加限流電阻，且輸入腳內建下拉電阻。
- (8). 高達 5KV 的人體靜電模式 (HBM) 的 ESD 保護。
- (9). 僅提供 SOP-8 封裝。

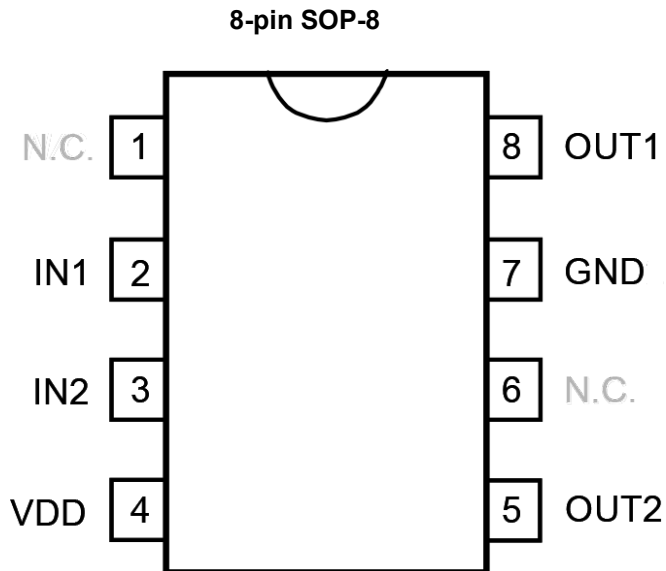


1. GENERAL DESCRIPTION

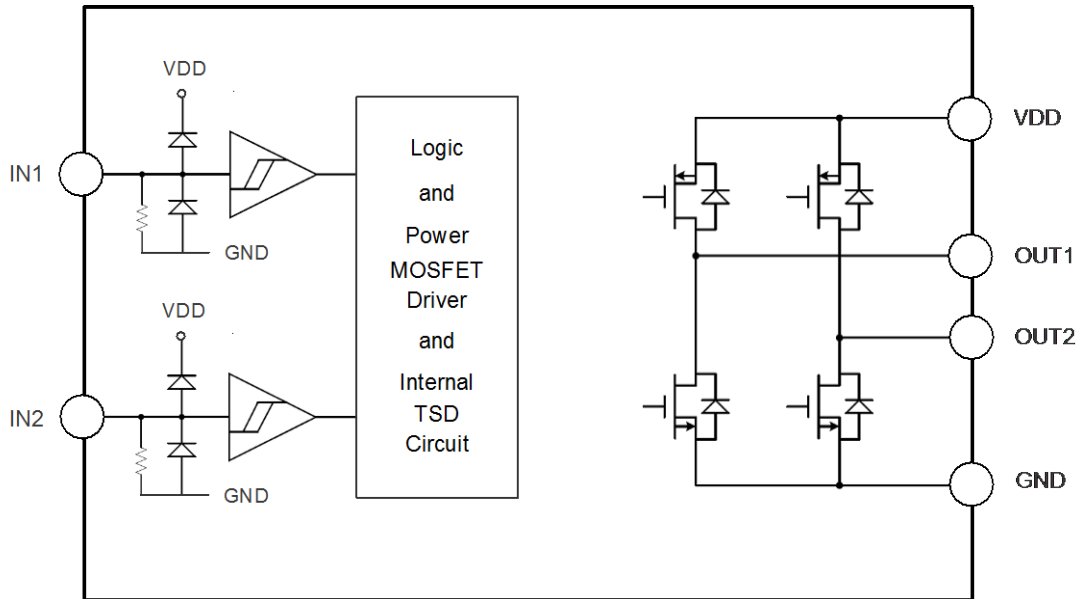
NY9M009B is a single-chip bi-directional motor driver CMOS IC for low-voltage applications. It is designed with LSI high technology with a low-power and low-cost process. It has H bridge driver of built-in MOSFET power switch to provide Forward / Reverse / Brake / Stop function for motor driver applications.

2. FEATURES

- (1). Wide operating voltage: 1.8V ~ 6.8V.
- (2). H bridge driver of internal PMOS/NMOS power switches.
- (3). Support 4 operating mode: Forward / Backward / Brake / Stop.
- (4). Low standby current. (Typ.=0.1uA)
- (5). Over 1400mA output current capability.
- (6). Built-in Thermal Shutdown (TSD) circuit.
- (7). CMOS input. No current-limit resistance required and built-in input pull-low resistance.
- (8). High 5KV Human Body Mode (HBM) ESD protection.
- (9). Only SOP-8 package type is available.



3. BLOCK DIAGRAM



4. PIN DESCRIPTION

Pin Name	Pin No.	ATTR.	Description
IN1	2	I	Forward rotation logic input.
IN2	3	I	Backward rotation logic input.
OUT1	8	O	Forward rotation output.
OUT2	5	O	Backward rotation output.
VDD	4	Power	Positive power.
GND	7	Power	Negative power.
N.C.*	1, 6	-	No connection.

* N.C. pin 1 is suggested connecting to VDD for pin-to-pin compatible with NY9M008BS8 at PCB layout.

N.C. pin 6 is suggested connecting to GND for pin-to-pin compatible with NY9M008BS8 at PCB layout.

5. FUNCTION DESCRIPTION

IN1	IN2	OUT1	OUT2	Function
0	0	Z (Off)	Z (Off)	Stop (Standby)
1	0	1	0	Forward
0	1	0	1	Backward
1	1	0	0	Brake

6. ELECTRICAL CHARACTERISTICS

6.1 Absolute Maximum Rating

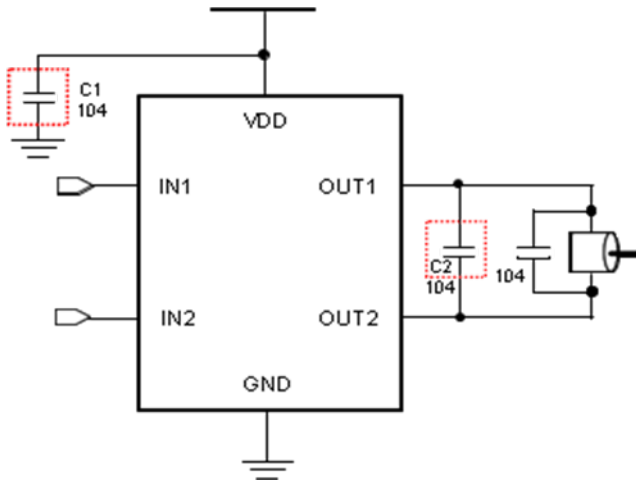
Symbol	Parameter		Rating	Unit
$V_{DD} - V_{SS}$	Supply voltage		-0.5 ~ +7.5	V
$I_{OUT-PEAK}$	Output peak current		2.5	A
θ_{JA}	Thermal resistance (Junction to Ambient)	SOP-8	150	°C/W
P_D	Power dissipation	SOP-8	0.9	W
T_A	Operating ambient temperature		-40 ~ +85	°C
T_J	Operating junction temperature		+160	°C
T_{ST}	Storage temperature		-55 ~ +150	°C

6.2 DC Characteristics *($V_{DD}=6.0V$, $T_A=25^\circ C$, unless otherwise specified)*

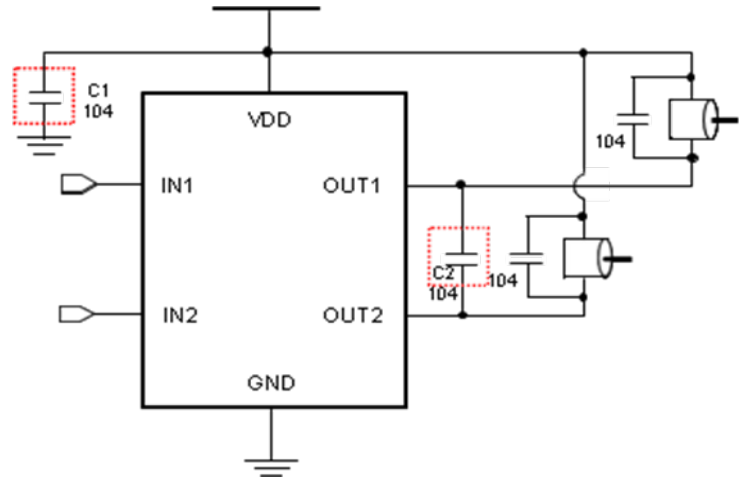
Symbol	Parameter		Min.	Typ.	Max.	Unit	Condition
V_{DD}	Operating voltage		1.8		6.8	V	
I_{SB}	Standby current			0.1	1	uA	IN1=IN2=0
I_{OP}	Operating current	$V_{DD} = 3.0V$		120		uA	IN1=1, IN2=0 or IN1=0, IN2=1 or IN1=1, IN2=1
		$V_{DD} = 6.0V$		210		uA	
I_{IH}	Input high current (12kΩ pull-low resistance)			250		uA	$V_{IH} = 3.0V$
				500		uA	$V_{IH} = 6.0V$
V_{IH}	Input high voltage		2.0			V	
V_{IL}	Input low voltage				0.8	V	
R_{ON}	Output resistance (SOP-8 Package)			0.40		Ω	$I_{OUT} = 200mA$
				0.42		Ω	$I_{OUT} = 500mA$
				0.45		Ω	$I_{OUT} = 800mA$
I_{OUT}	Output continuous current (* with PCB heat dissipation)			1400	1600*	mA	SOP-8
I_{PULSE}	Pulsed drain current				5.0	A	Pulse width < 20ms
T_{RISE}	Output rise time			300		ns	PWM=20kHz, Duty=50%
T_{FALL}	Output fall time			150		ns	
T_{RP}	Input-to-Output response time			300		ns	
T_{TSD}	Thermal shutdown (TSD)			160		°C	Junction temperature
T_{TSDH}	Thermal shutdown hysteresis			45		°C	

7. APPLICATION CIRCUIT

(1) One Motor Bi-Directional Control

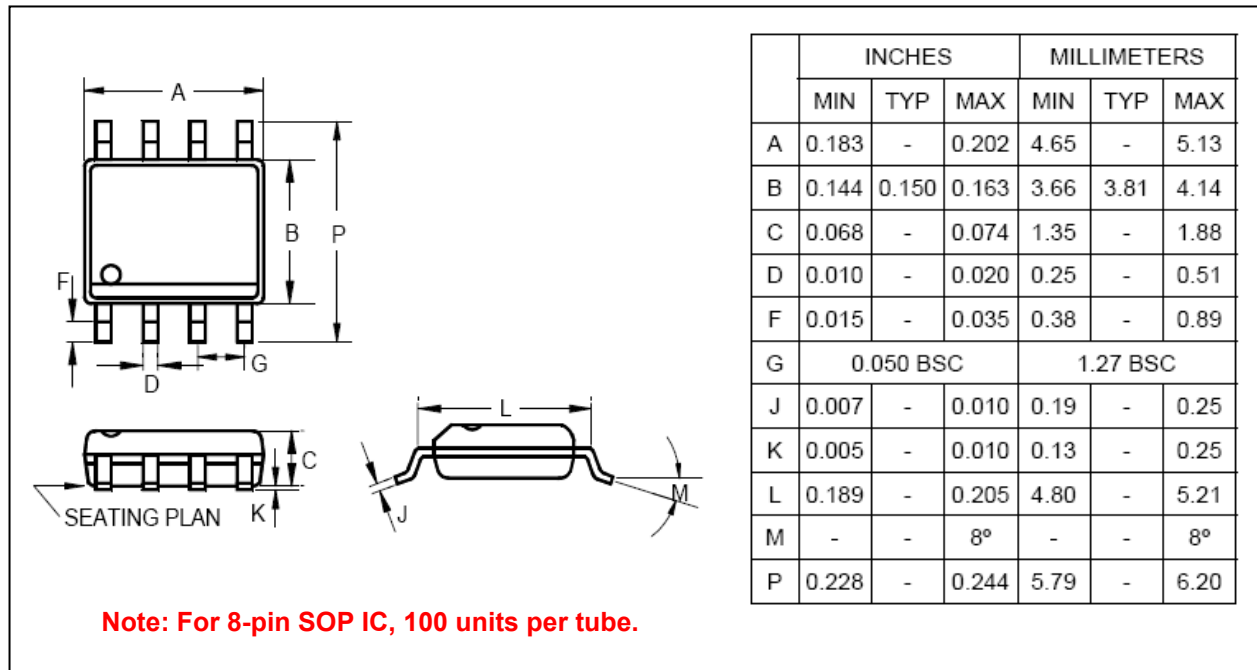


(2) Two Motors Directional Control



** In normal application, C1 (0.1uF) can be saved, but please reserve C1 space at PCB layout.*

** If voltage is higher than 6.0V, C2 (0.1uF) is necessary to endure high voltage.*

8. PACKAGE DIMENSION
8-Pin Plastic SOP (150 mil)

9. ORDERING INFORMATION

<i>P/N</i>	<i>Package Type</i>	<i>Package Width</i>	<i>Shipping</i>
NY9M009BS8	SOP-8	150 mil.	<u>Tape & Reel</u> : 2.5K pcs per Reel <u>Tube</u> : 100 pcs per Tube